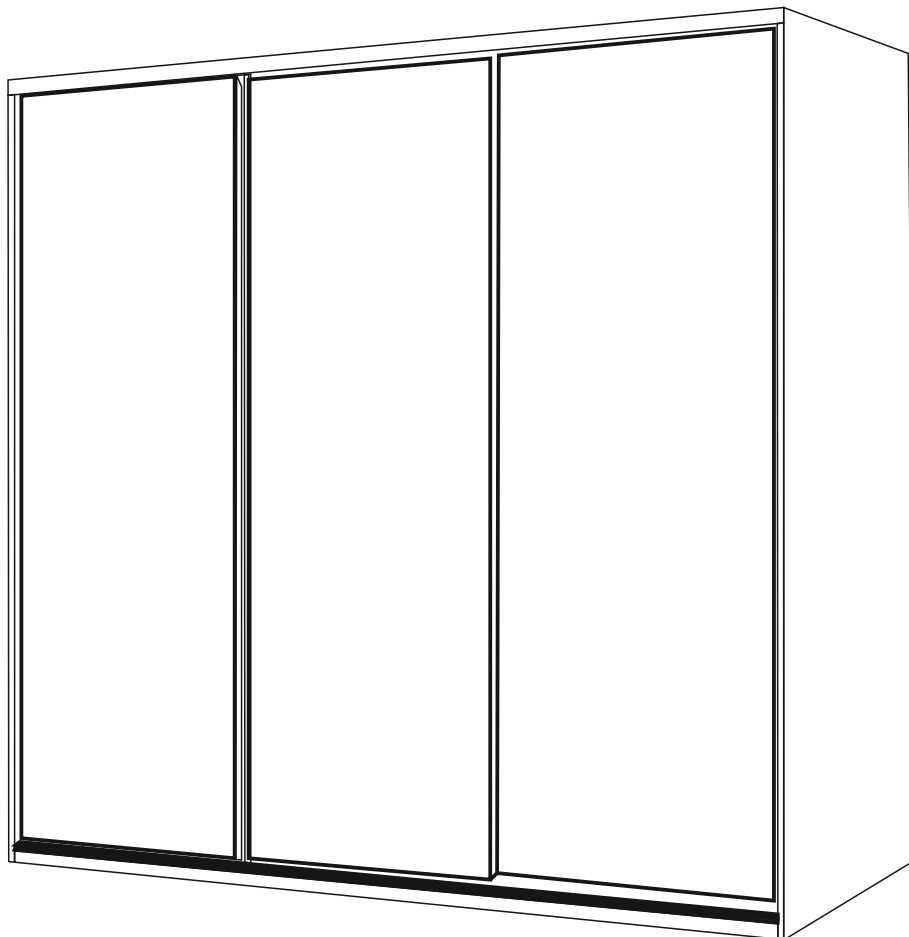


Sliding wardrobe City Lite 2250x2250x600 mm

ASSEMBLY INSTRUCTION



Dimensions
Height: 2250 mm
Width: 2250 mm
Depth: 600 mm



NOTE!

For all questions and complaints about this product, please contact the place of purchase of this product.



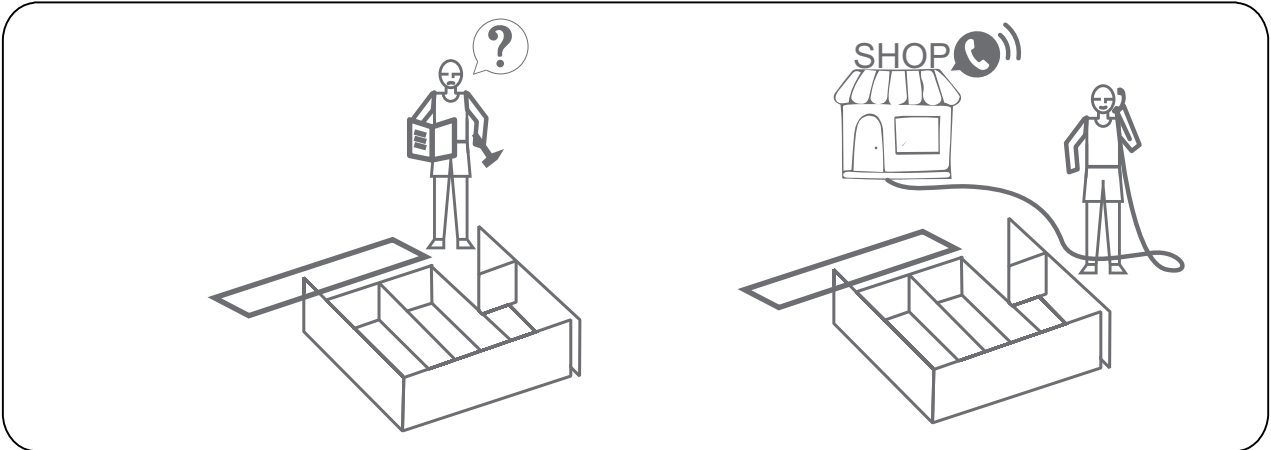
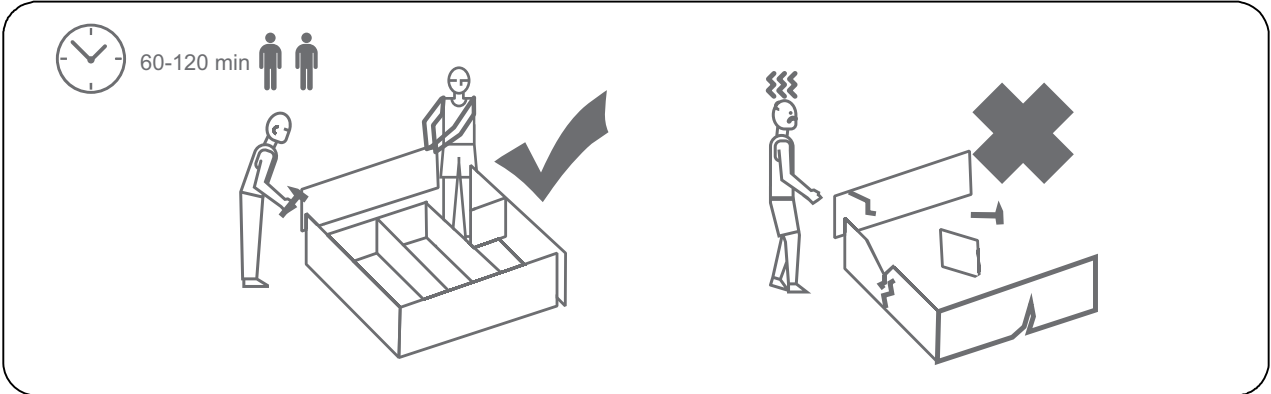
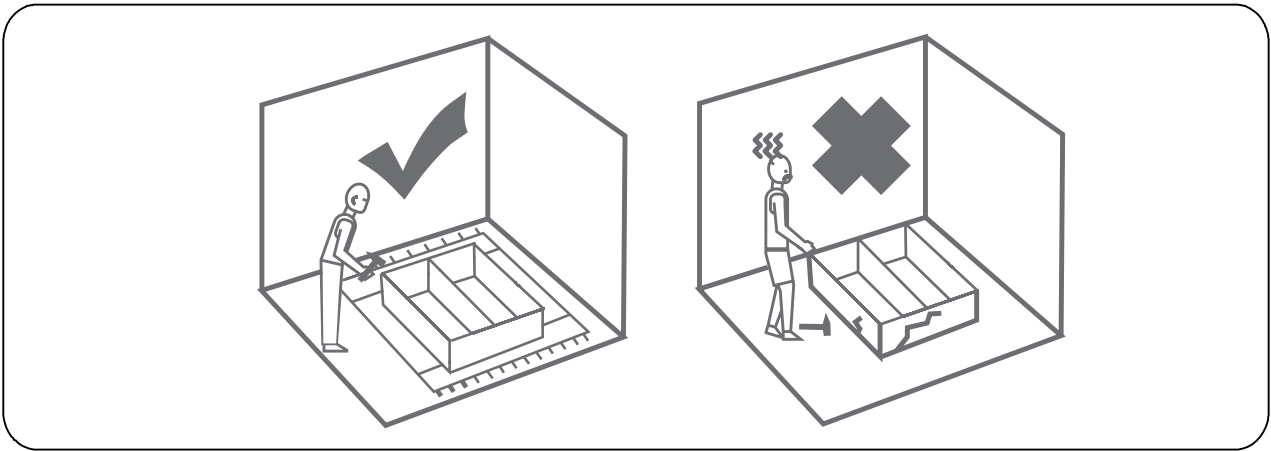
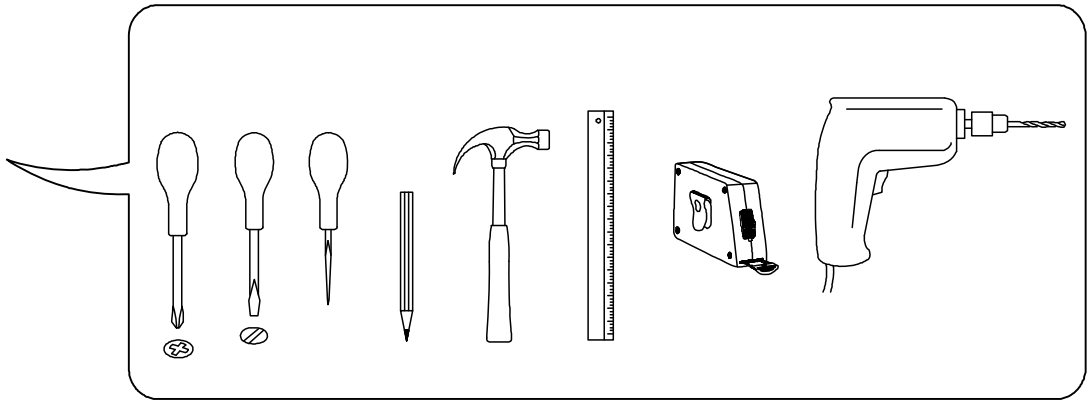
RULES FOR USE AND CARE OF FURNITURE

1. Use furniture only in dry rooms protected from the effects of weather conditions.
2. Install with suitable tools according to these assembly instructions.
3. Try to assemble as close to the location as possible.
4. The body is assembling in a horizontal position.
5. Before moving furniture, make sure that it is not loaded with items.

Caution: moving furniture may damage it.

When moving, hold on to vertical elements only; moving furniture by horizontal parts can break the product.

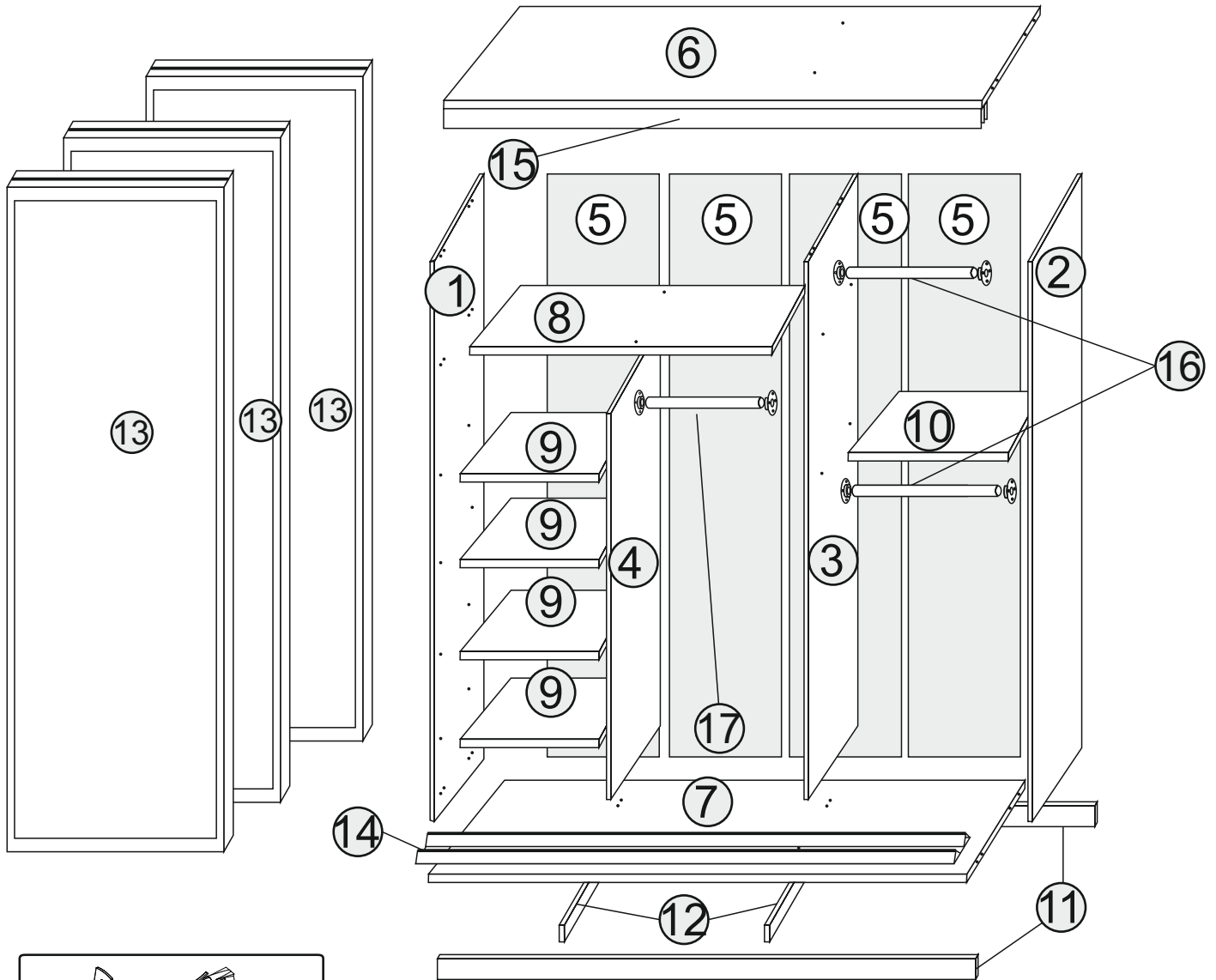
6. Overloading the furniture can damage it.
7. From time to time check the fittings and their correct position.
8. Wipe the furniture surface only with a slightly damp cloth or paper towels. Do not use chemical cleaning agents other than those specifically made for this.

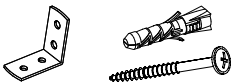


PARTS LIST

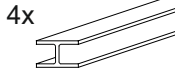





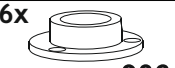





Nº	Description	Dimensions	Nº pack	Qty.
01	Side stand left	2250 598	1/3	1
02	Side stand right	2250 598	1/3	1
03	Inner stand	2172 500	1/3	1
04	Inner stand 2	1172 480	1/3	1
05	Back wall (fiberboard)	2200 560	1/3	4
06	Roof	2218 598	2/3	1
07	Bottom	2218 598	2/3	1
08	Shelf	1468 495	2/3	1
09	Shelf 2	578 473	2/3	4

Nº	Description	Dimensions	Nº pack	Qty.
10	Shelf 3	734 495	2/3	1
11	Bottom located along	2218 46	2/3	2
12	Bottom located across	520 46	2/3	2
13	Wardrobe door		3/3	3
14	Guide profile Bottom	2218	2/3	1
15	Guide profile top	2218	2/3	1
16	Wardrobe rod	732 25	2/3	2
17	Wardrobe rod 2	872 25	2/3	1

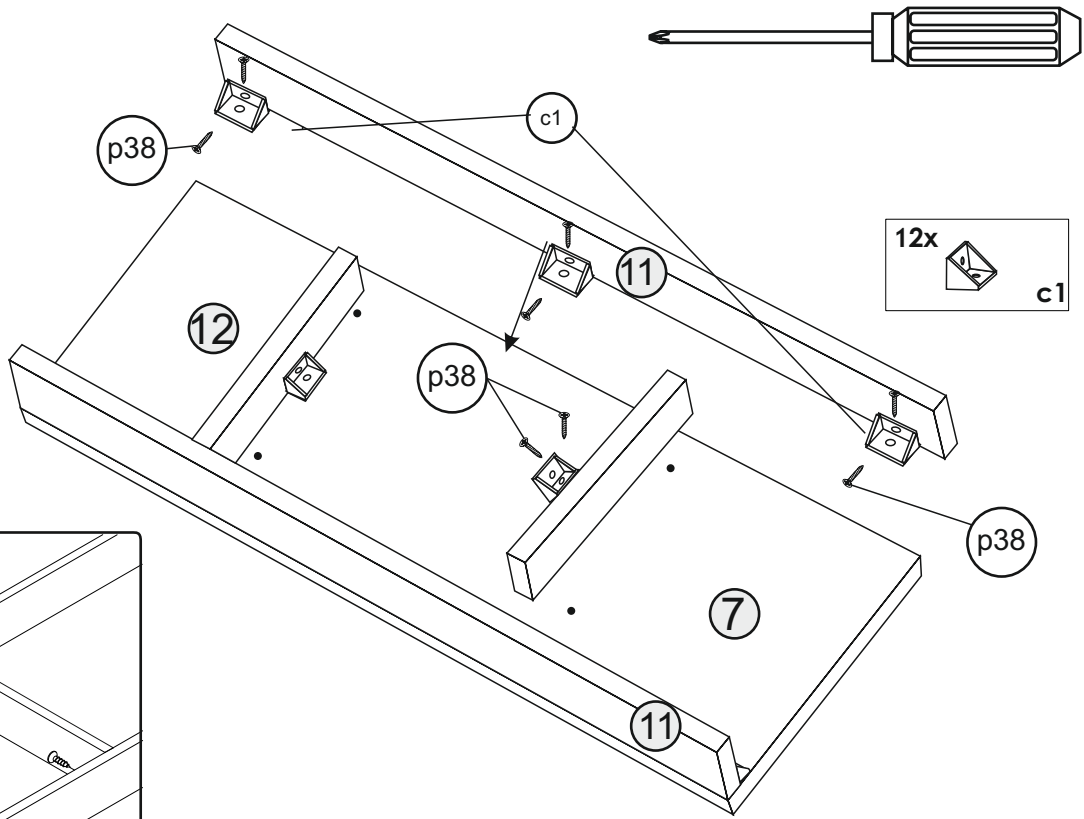



 The dowel and the wall mounting angle
 are not included.
 Purchase separately.

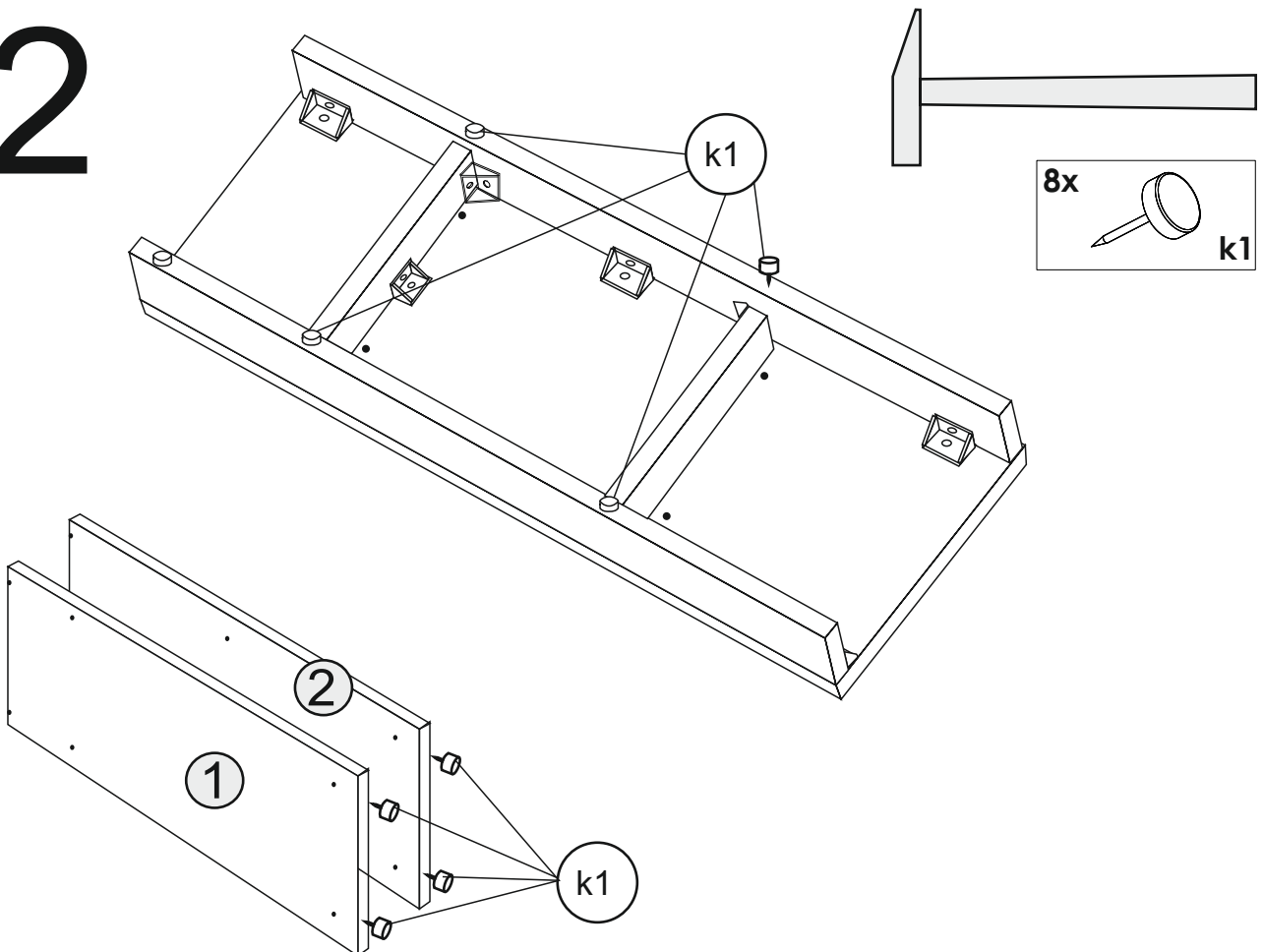
Fittings:

4x 	16x  φ5x17 mm d1	70x  φ3,5x16 mm p38	24x  φ5x50 mm e32	24x  φ8x30 mm f1	1x  z1
6x  n906	8x  k1	 l1	18x  φ16 s2	12x  c1	3x 

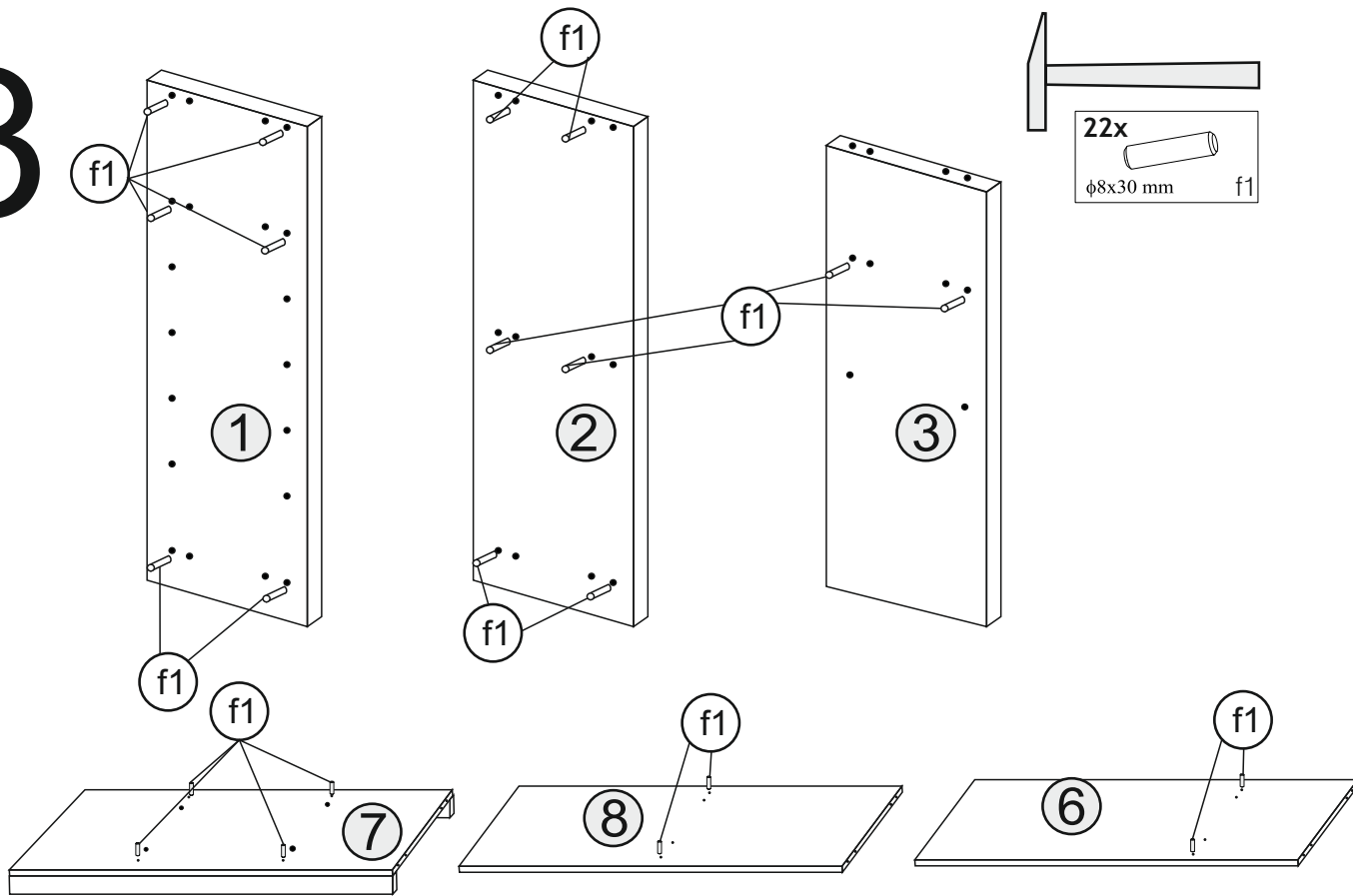
1



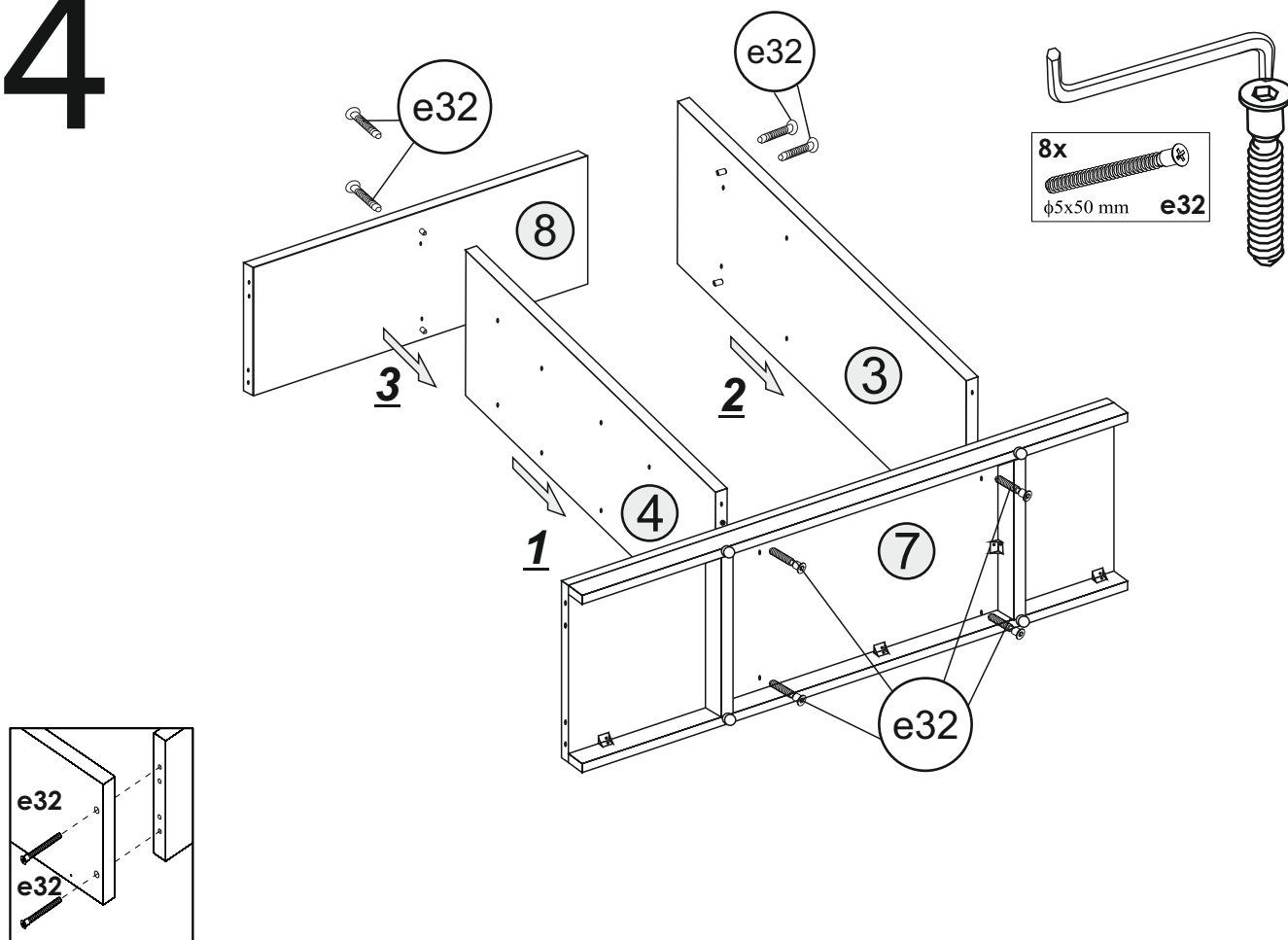
2



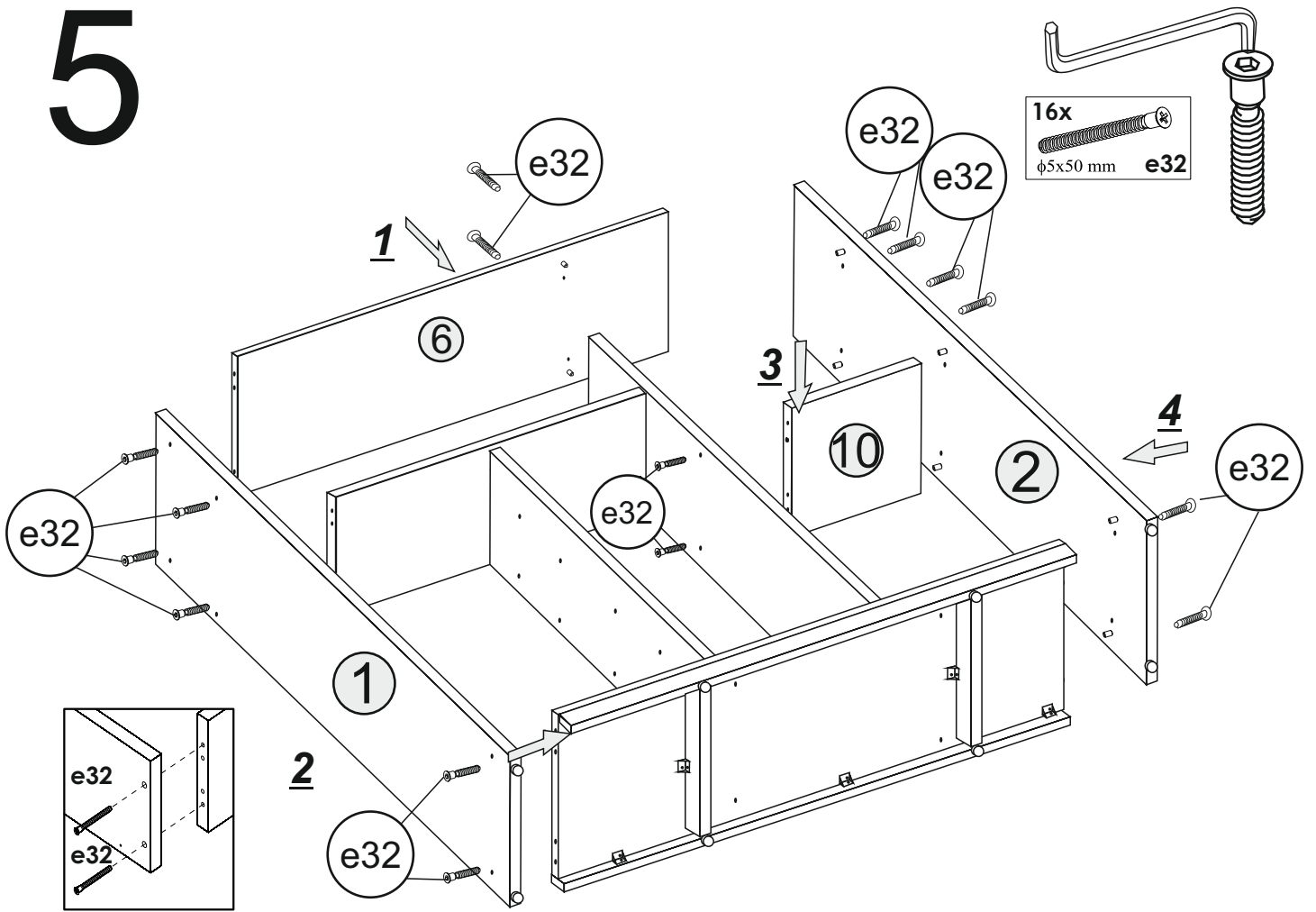
3



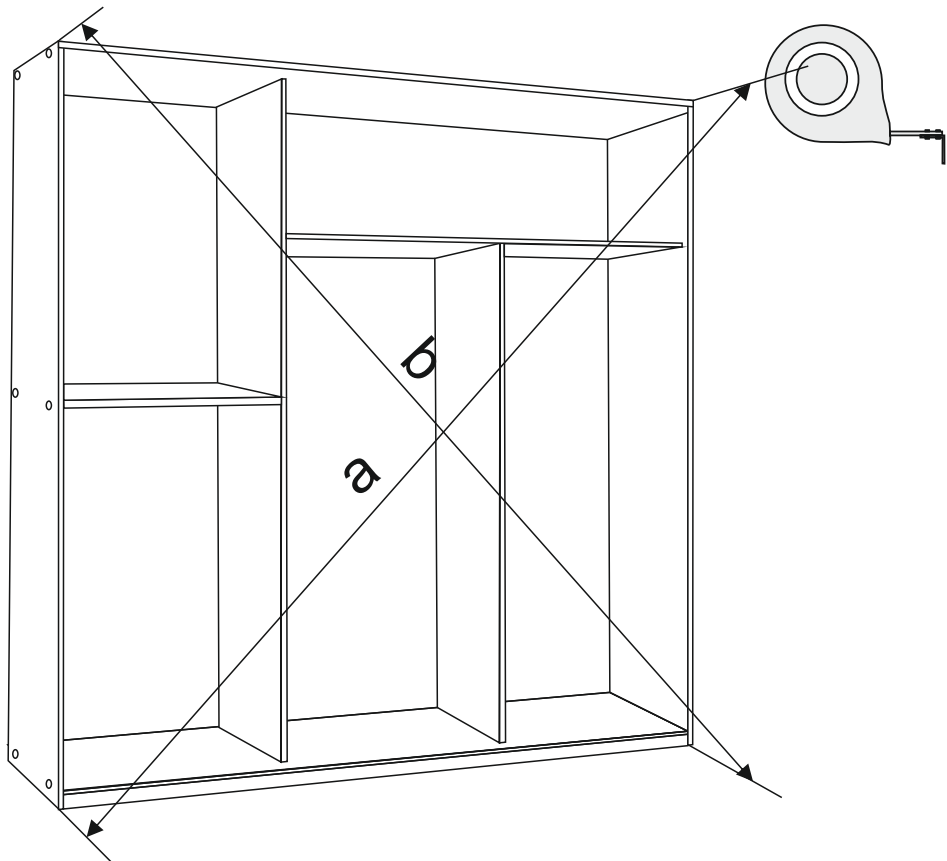
4



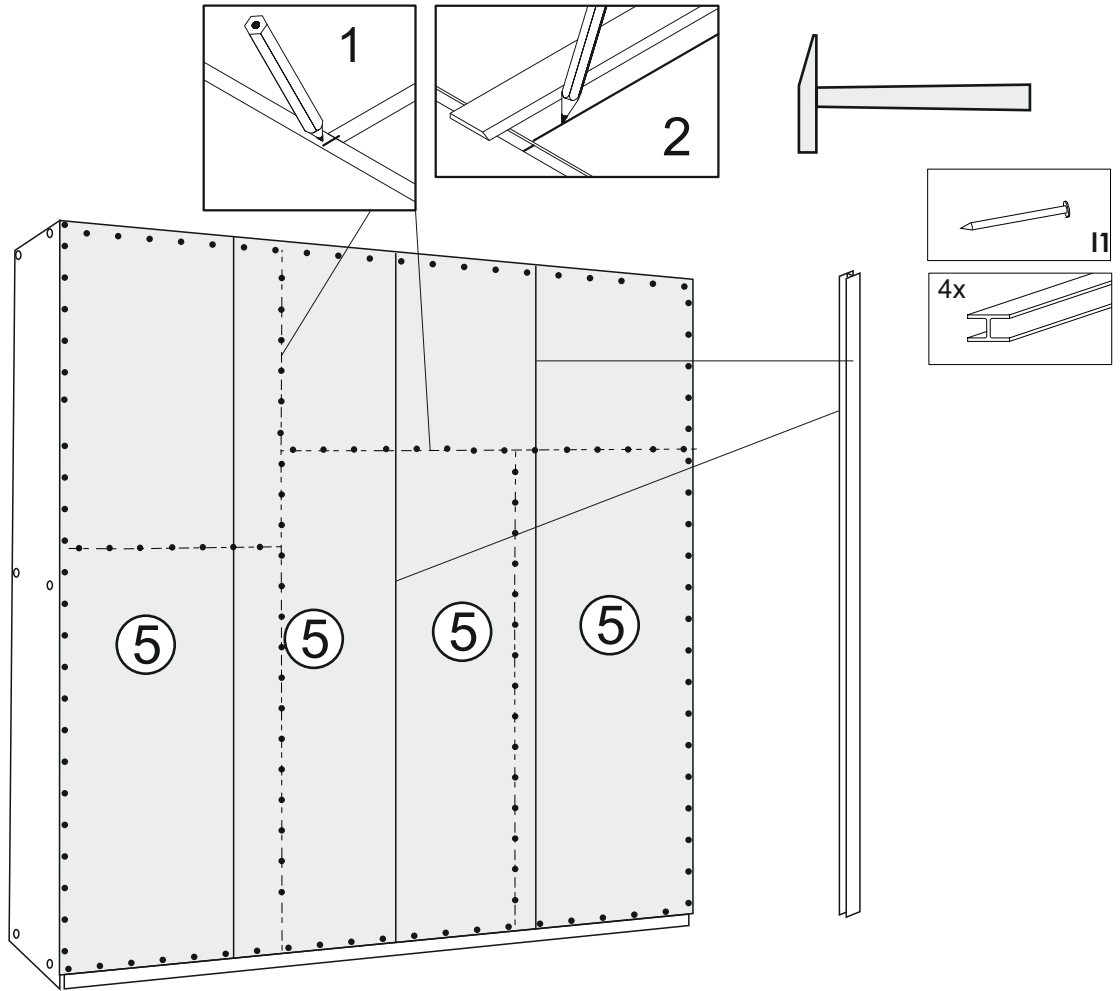
5



6



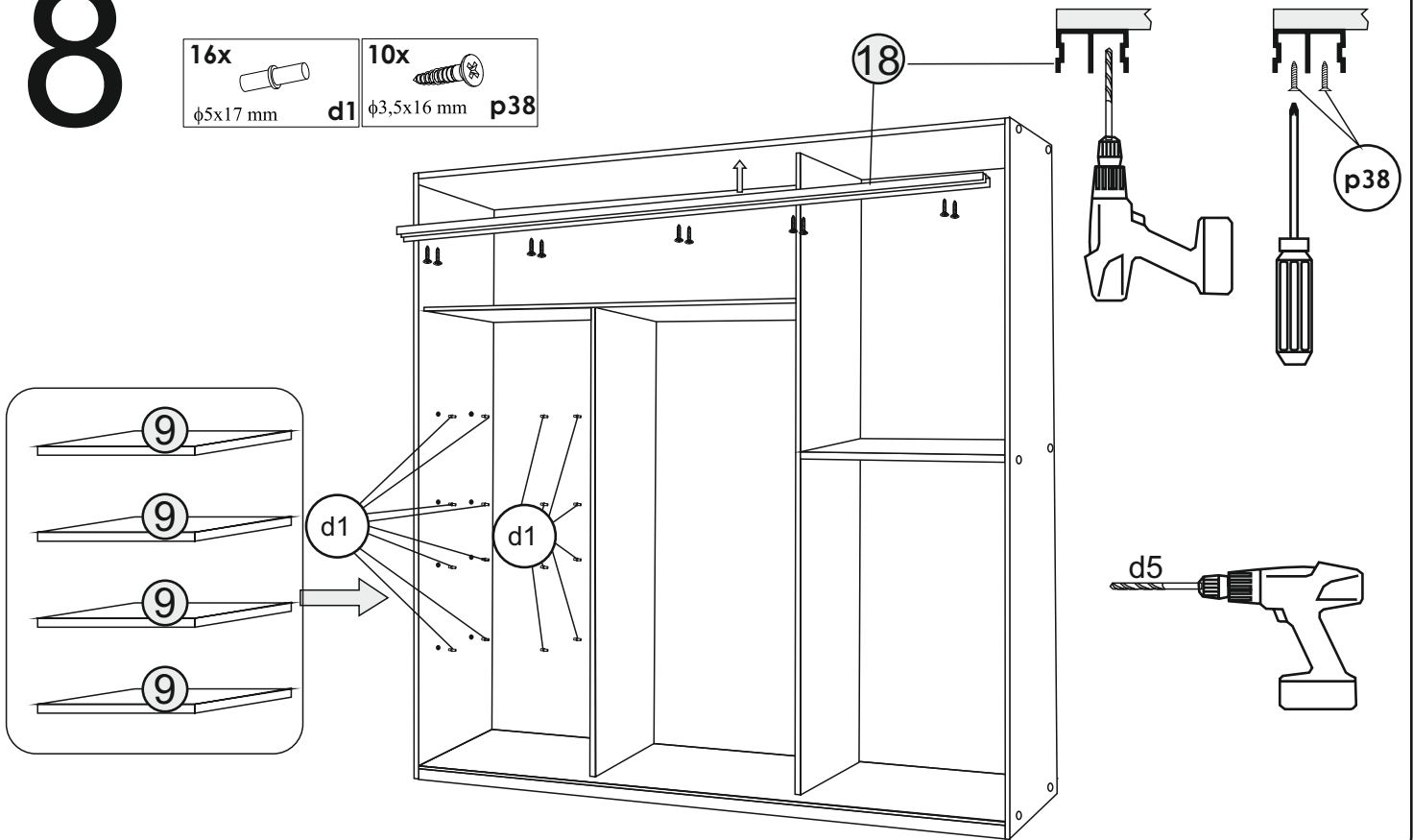
7



8

16x $\phi 5 \times 17$ mm d1

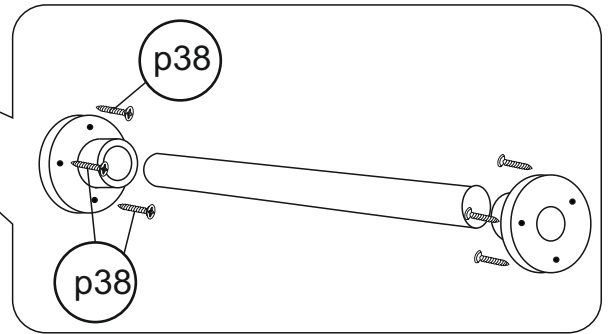
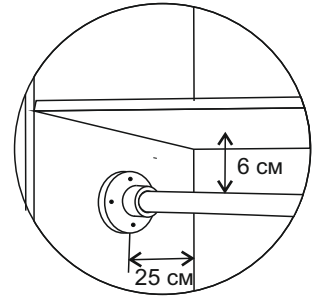
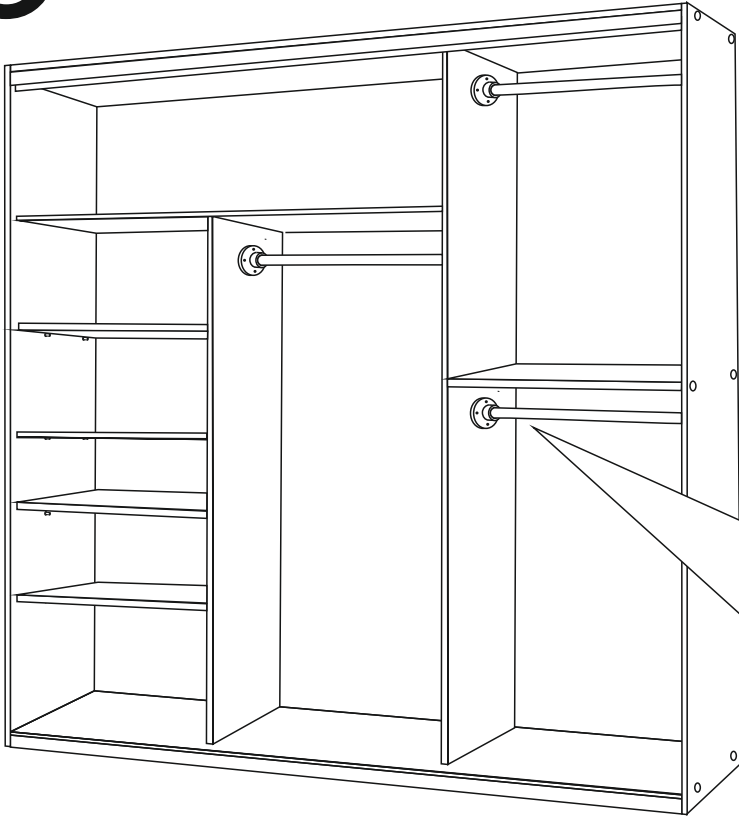
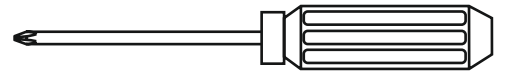
10x $\phi 3,5 \times 16$ mm p38



9

18x
φ3,5x16 mm p38

6x
n906

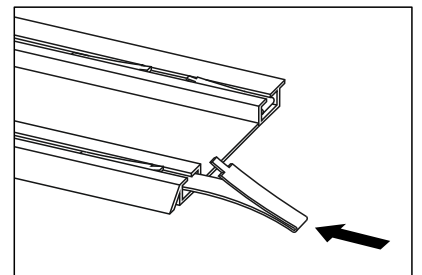


10

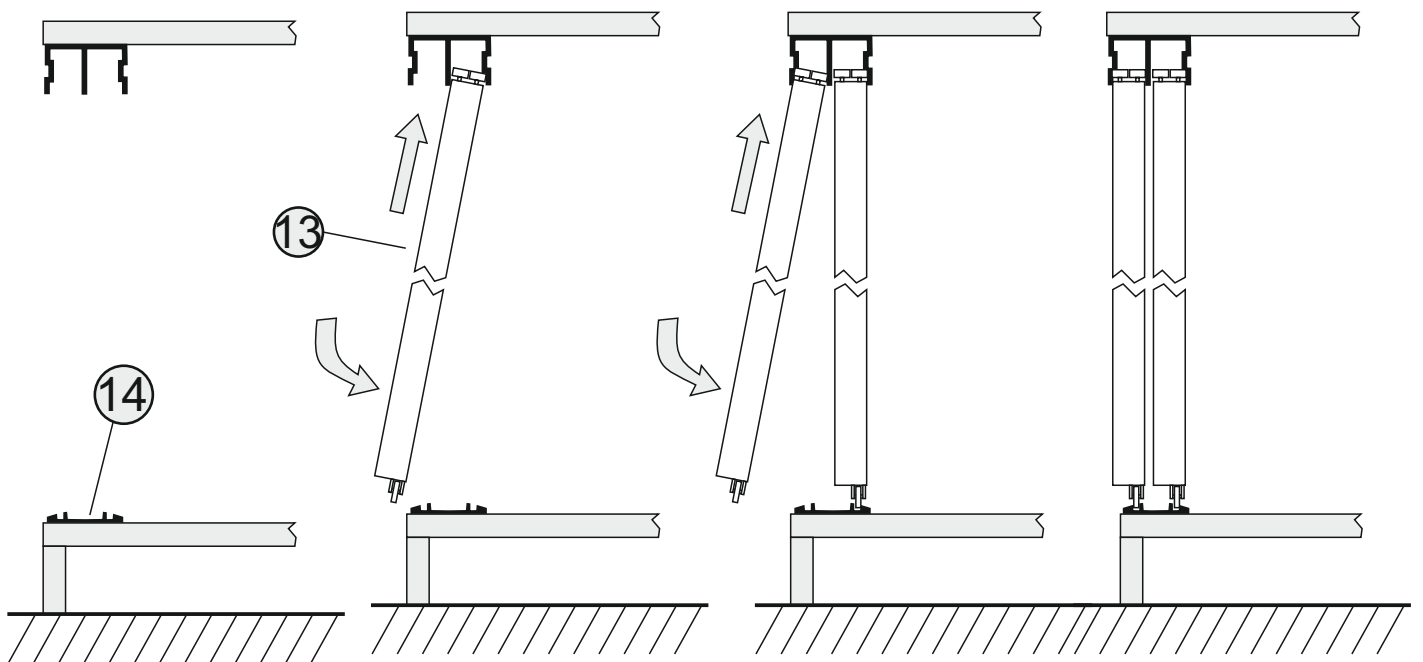
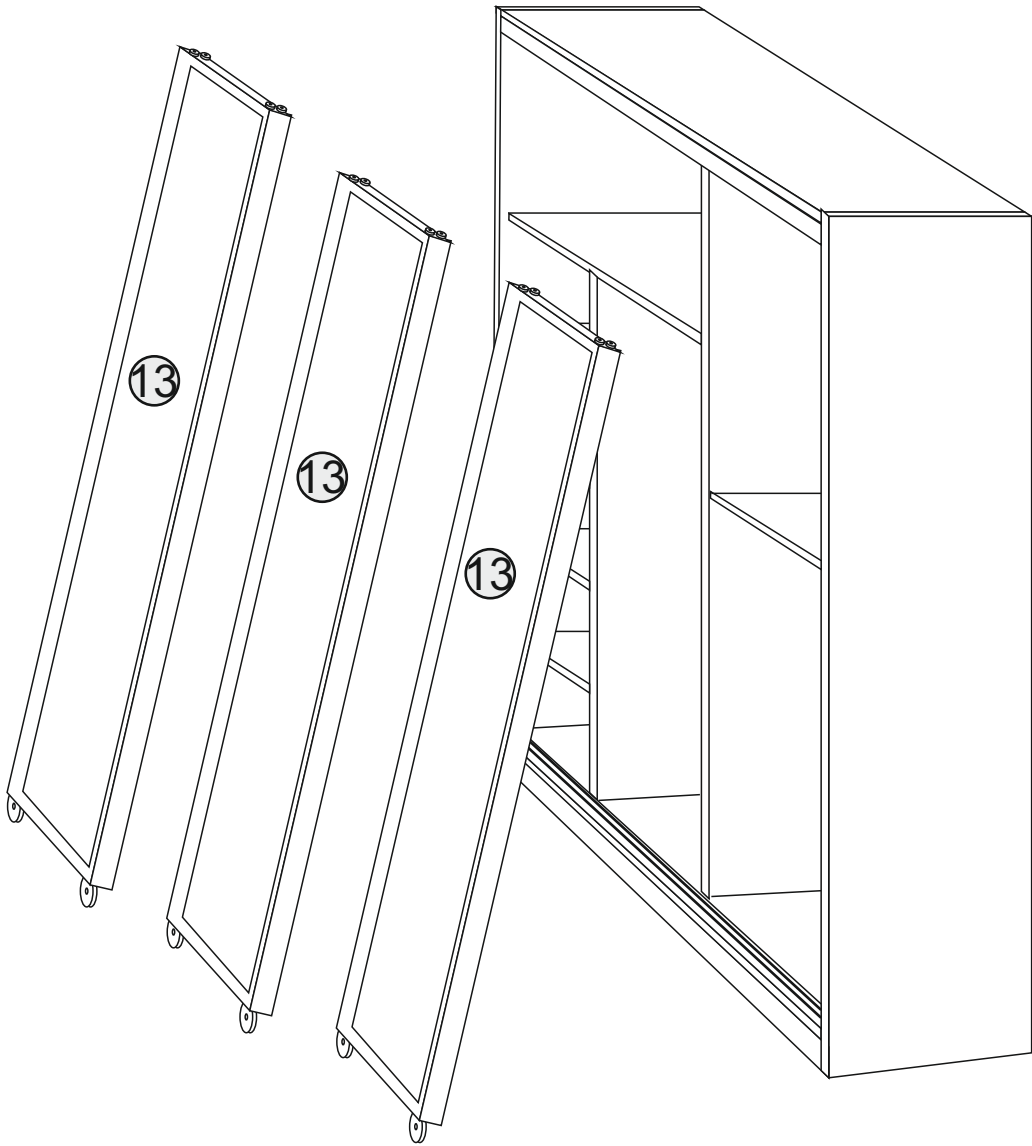


14

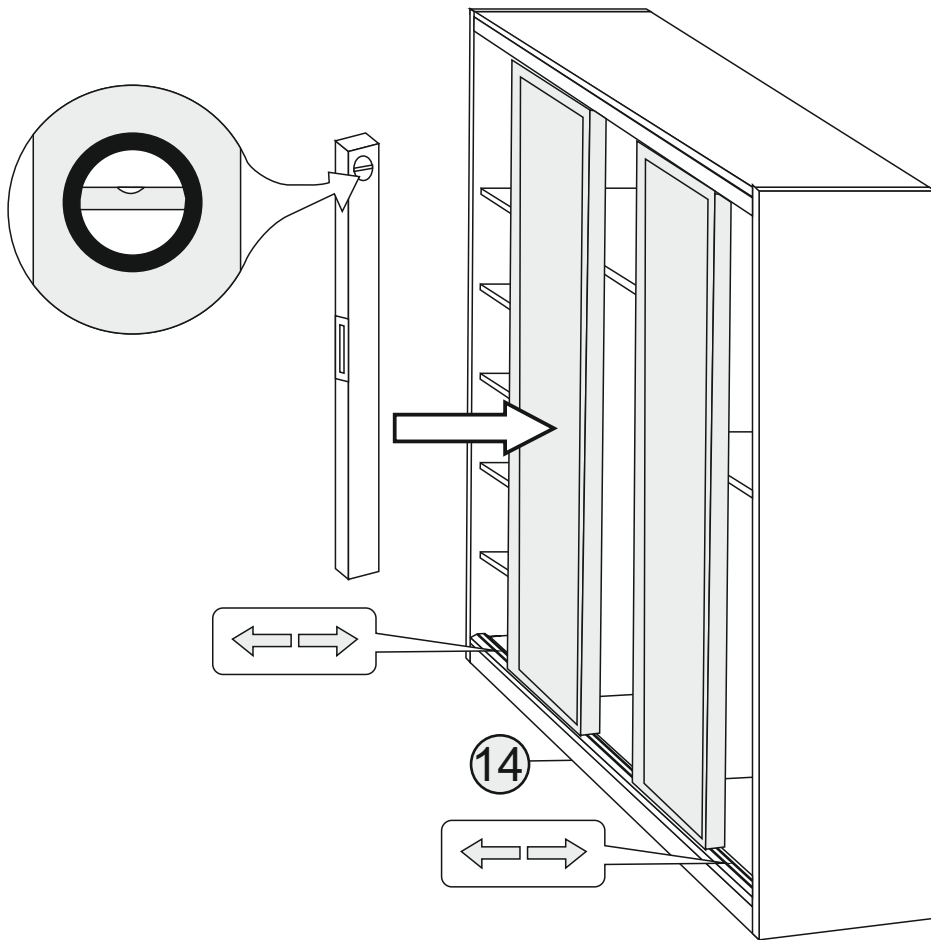
3x



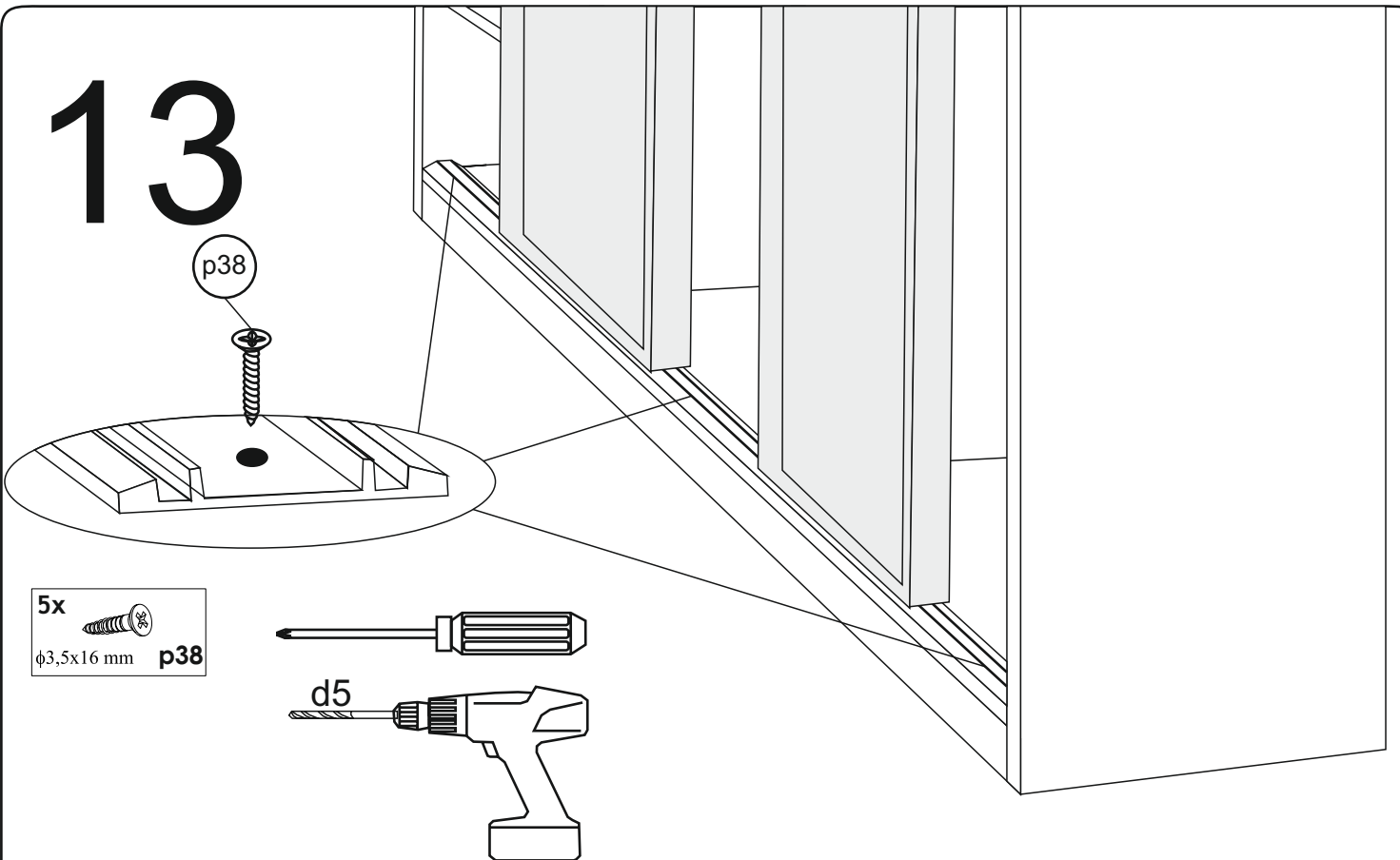
11



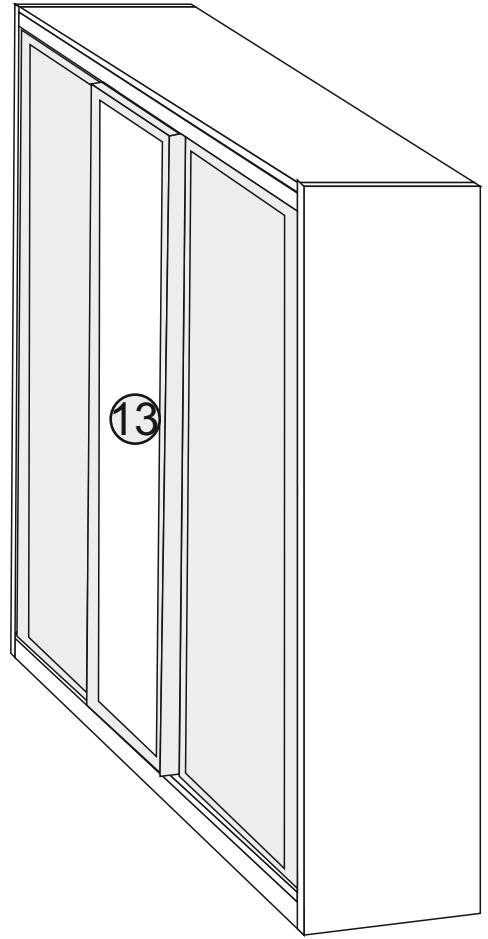
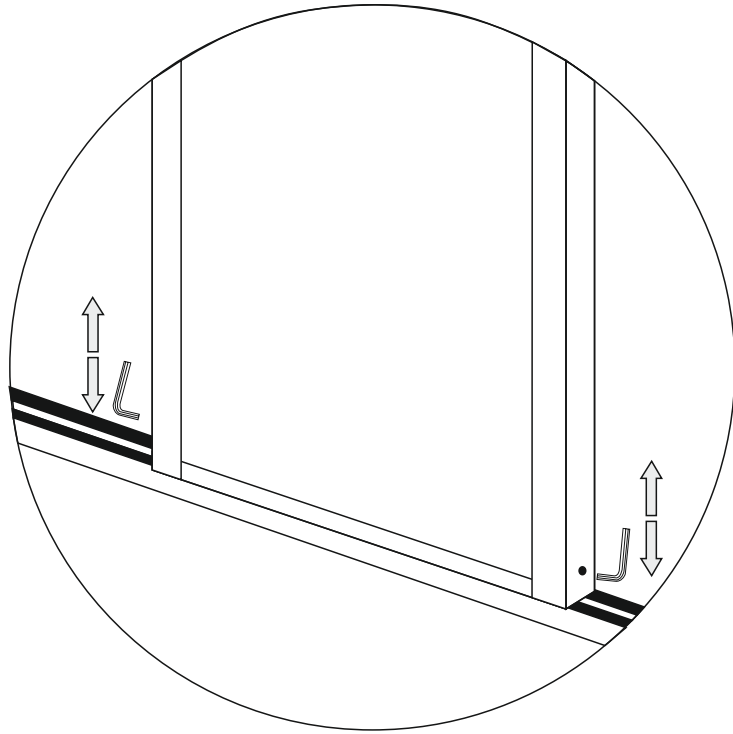
12



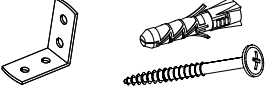
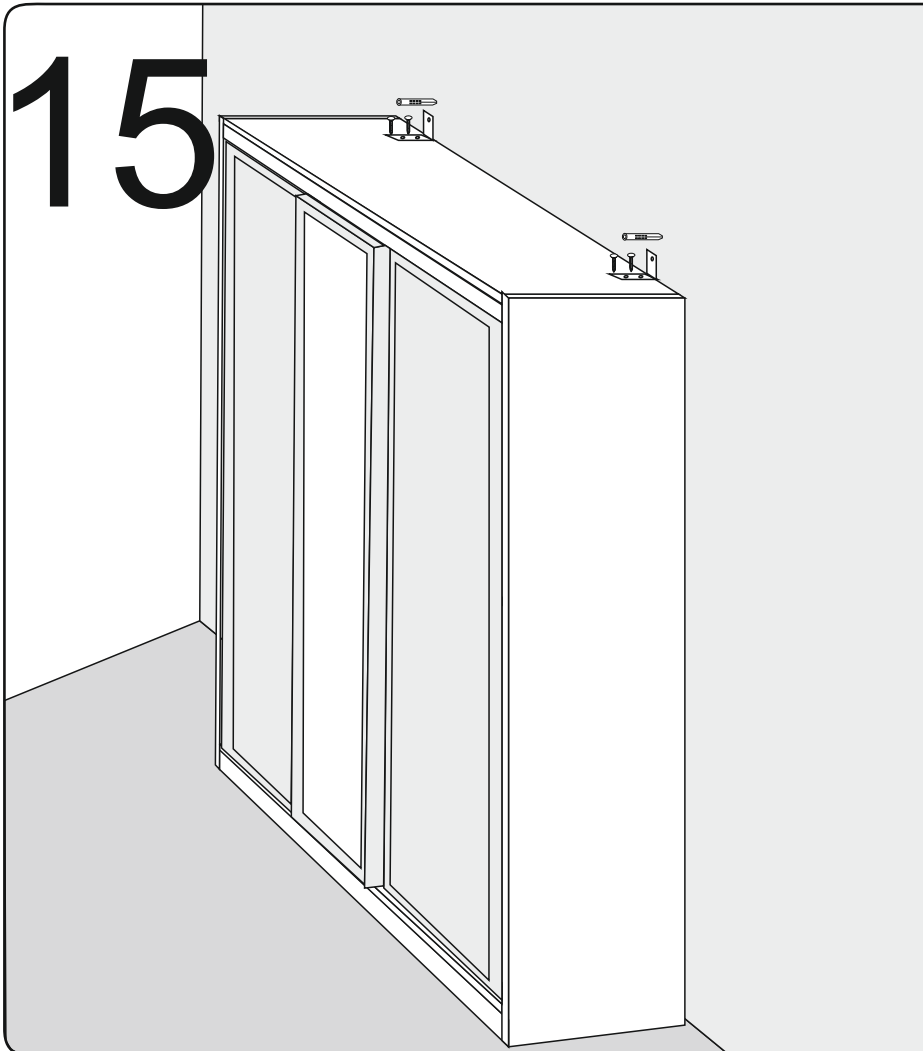
13



14



15



The dowel and the wall mounting angle are not included.
Purchase separately.

