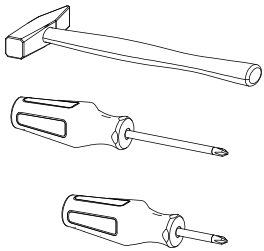
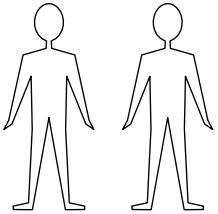
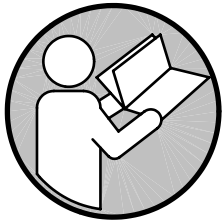
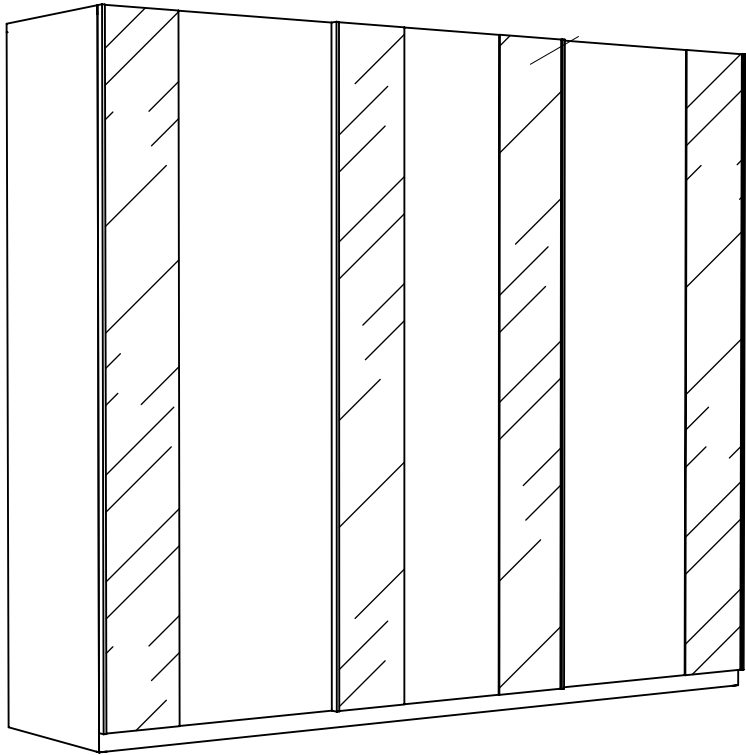
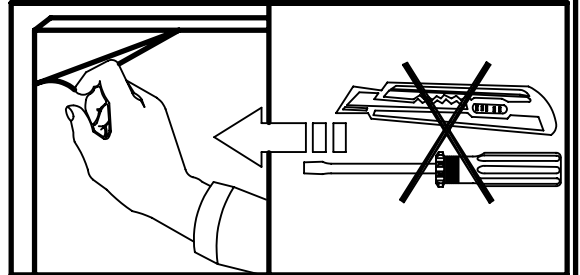
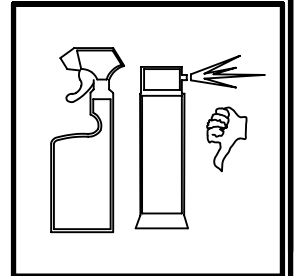
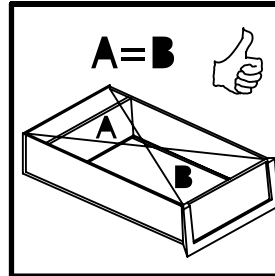
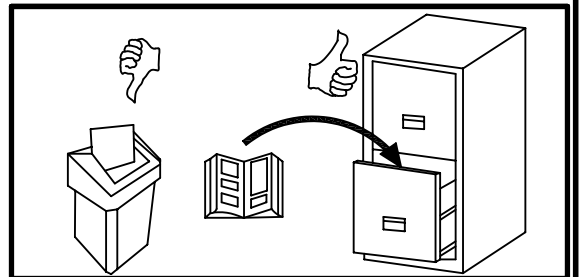
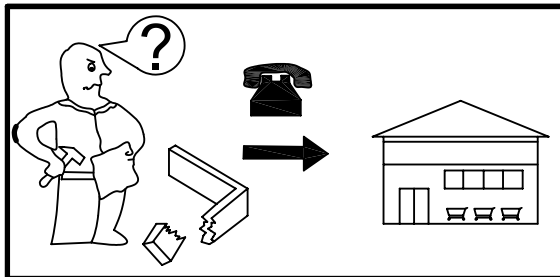
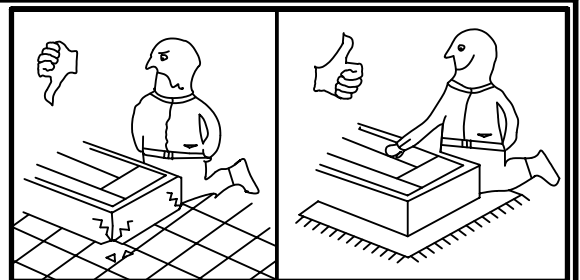
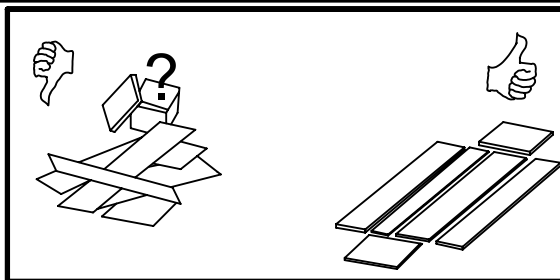


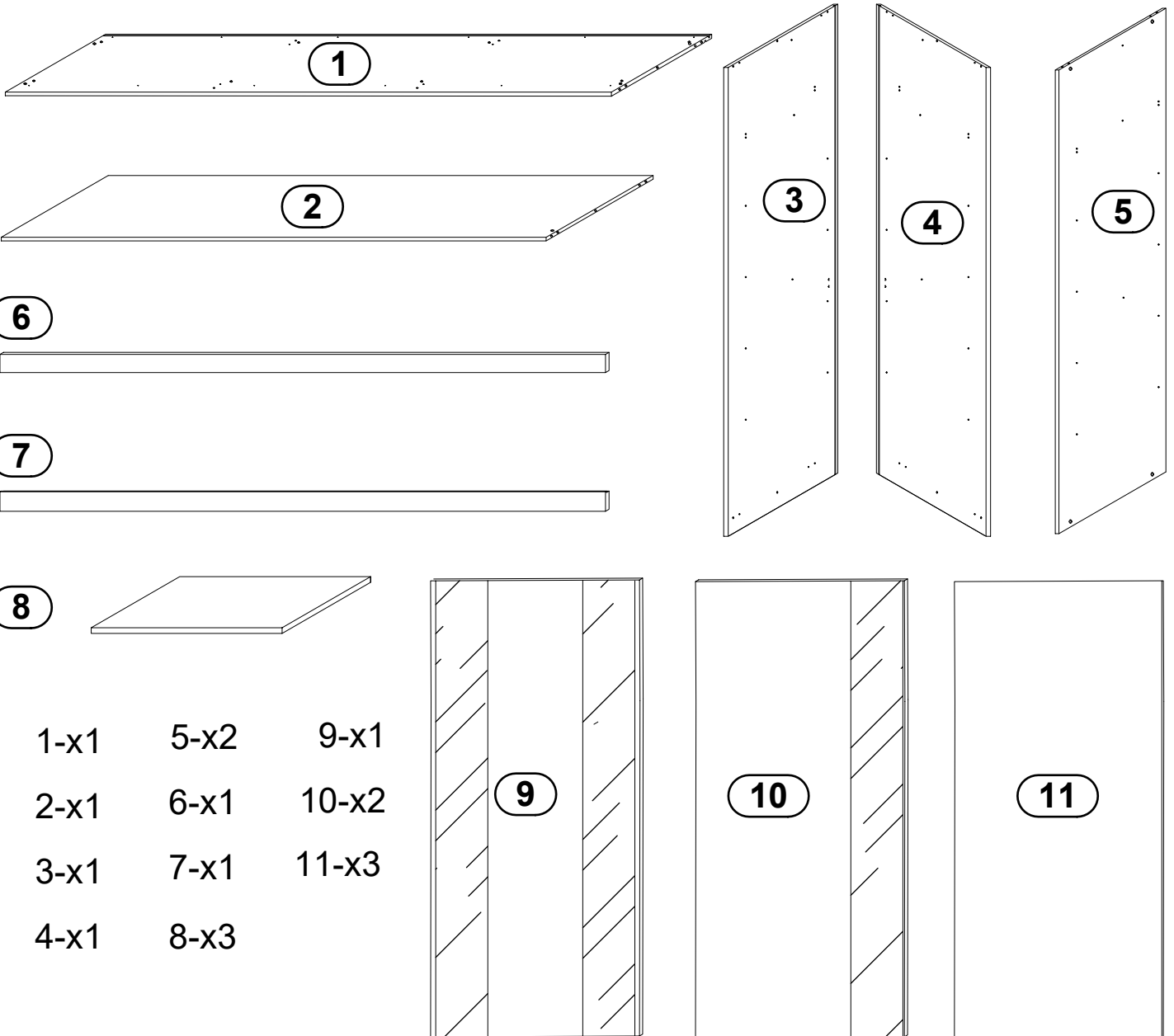
# LEA-FROZEN wardrobe



01:00:00

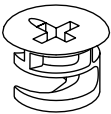
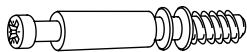
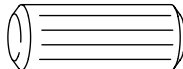
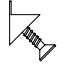

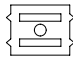

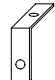



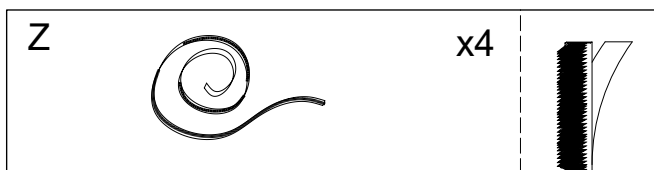
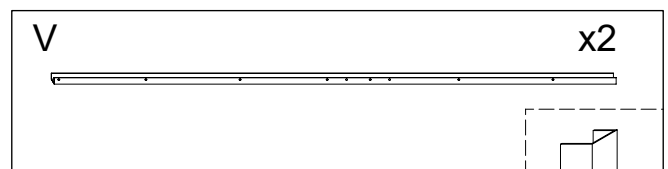
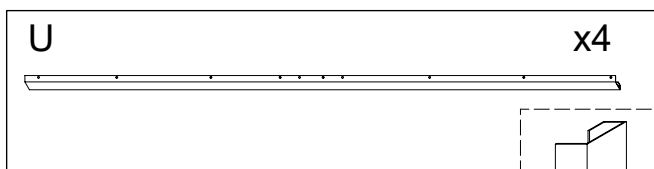
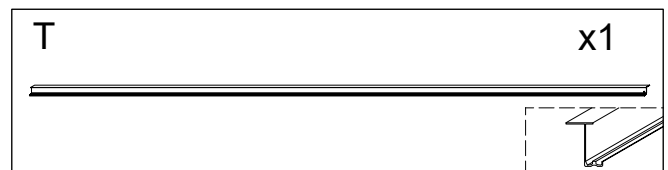
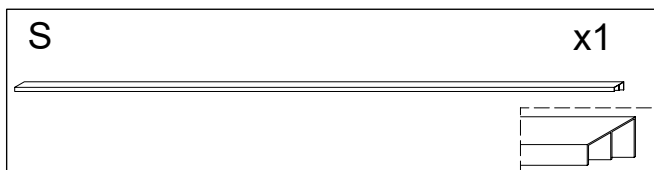
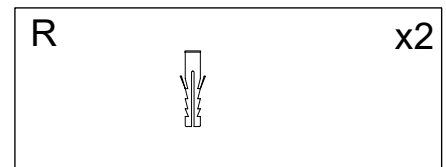
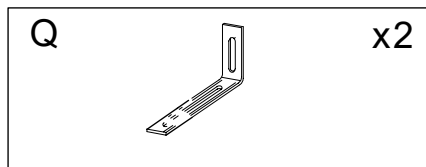
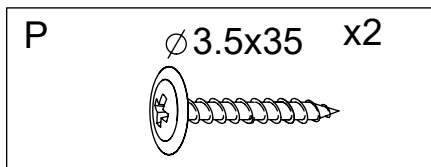
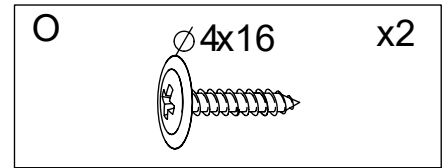
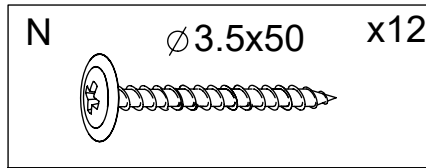
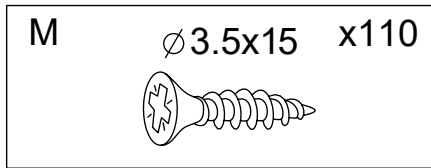
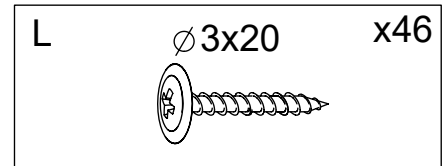
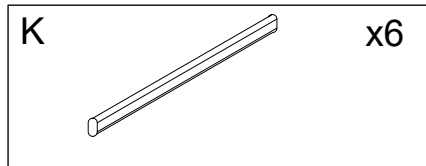
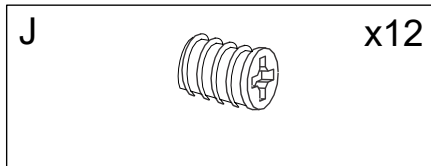
# ASSEMBLY PARTS :



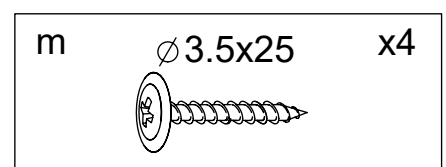
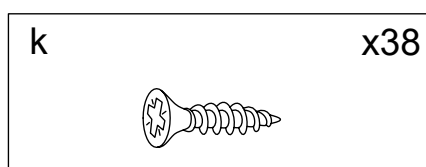
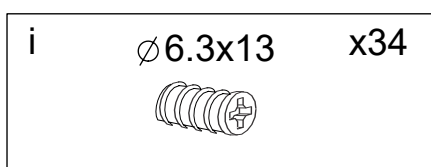
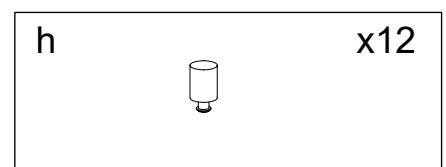
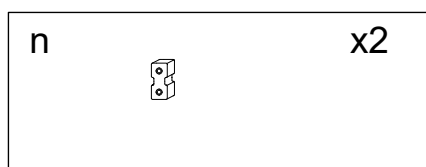
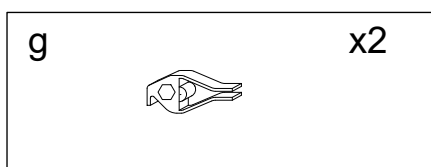
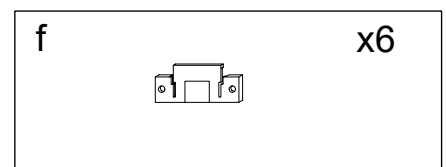
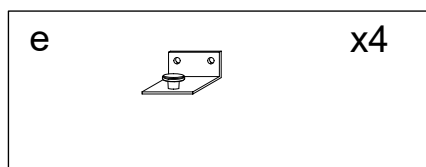
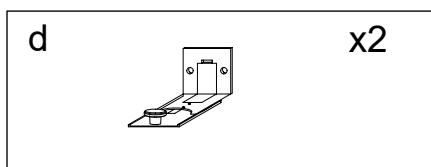
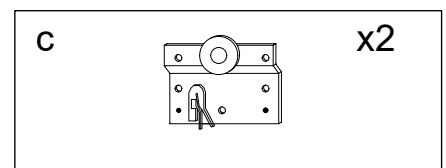
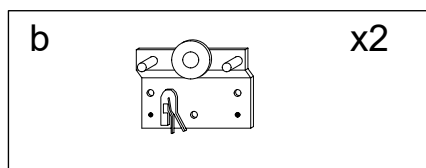
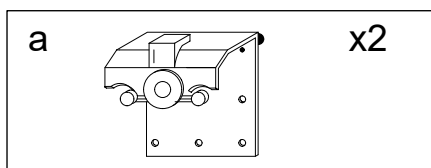
- |      |      |       |
|------|------|-------|
| 1-x1 | 5-x2 | 9-x1  |
| 2-x1 | 6-x1 | 10-x2 |
| 3-x1 | 7-x1 | 11-x3 |
| 4-x1 | 8-x3 |       |

# ASSEMBLY HARDWARE:

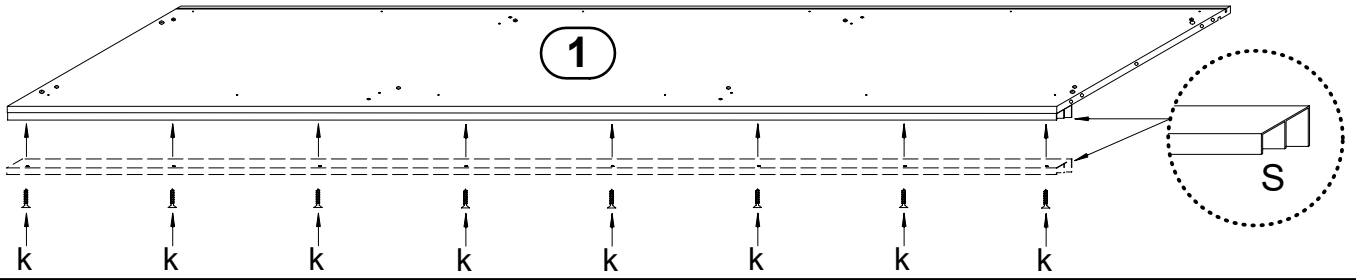
|  |   |   |
|--|---|---|
| <b>A</b>  <b>x16</b>                  | <b>B</b>  <b>x16</b> | <b>C</b> $\varnothing 8 \times 30$  <b>x24</b> |
| <b>D</b>  <b>x16</b>                  | <b>E</b>  <b>x12</b> | <b>F</b>  <b>x18</b>                           |
| <b>G</b> <b>D.10 white</b>  <b>x8</b> | <b>H</b>  <b>x6</b>  | <b>I</b>  <b>x12</b>                           |



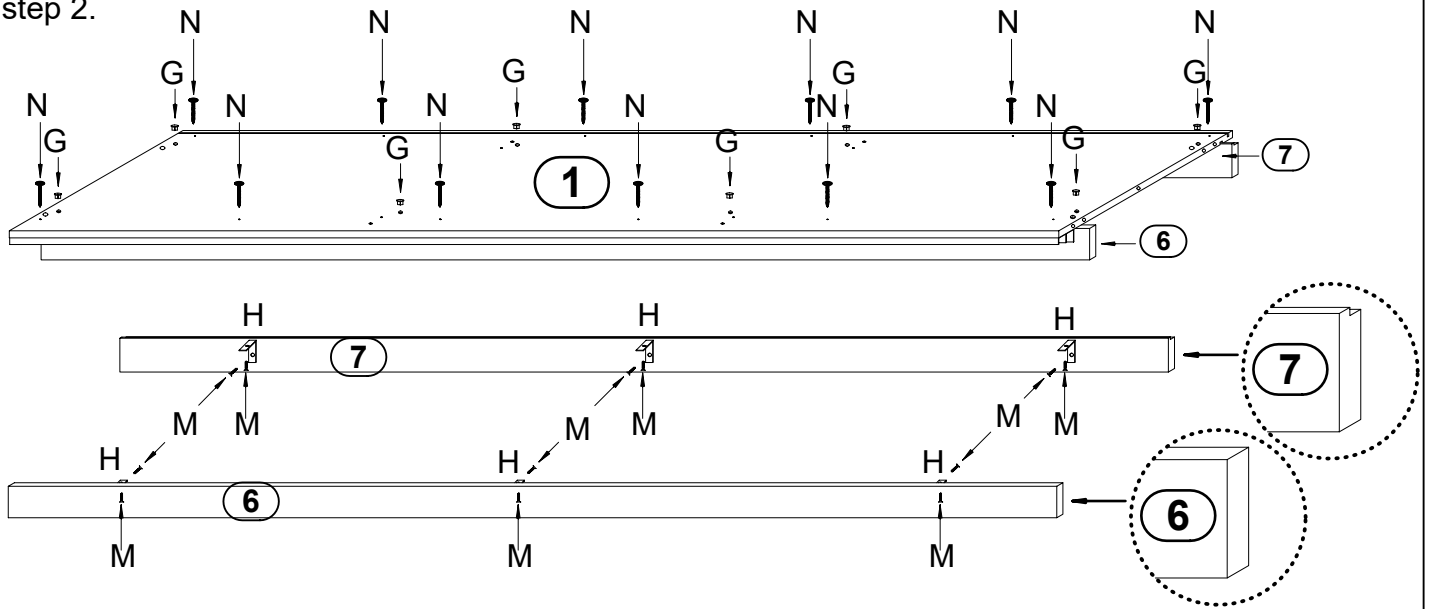
### SLIDING SYSTEM BOX:



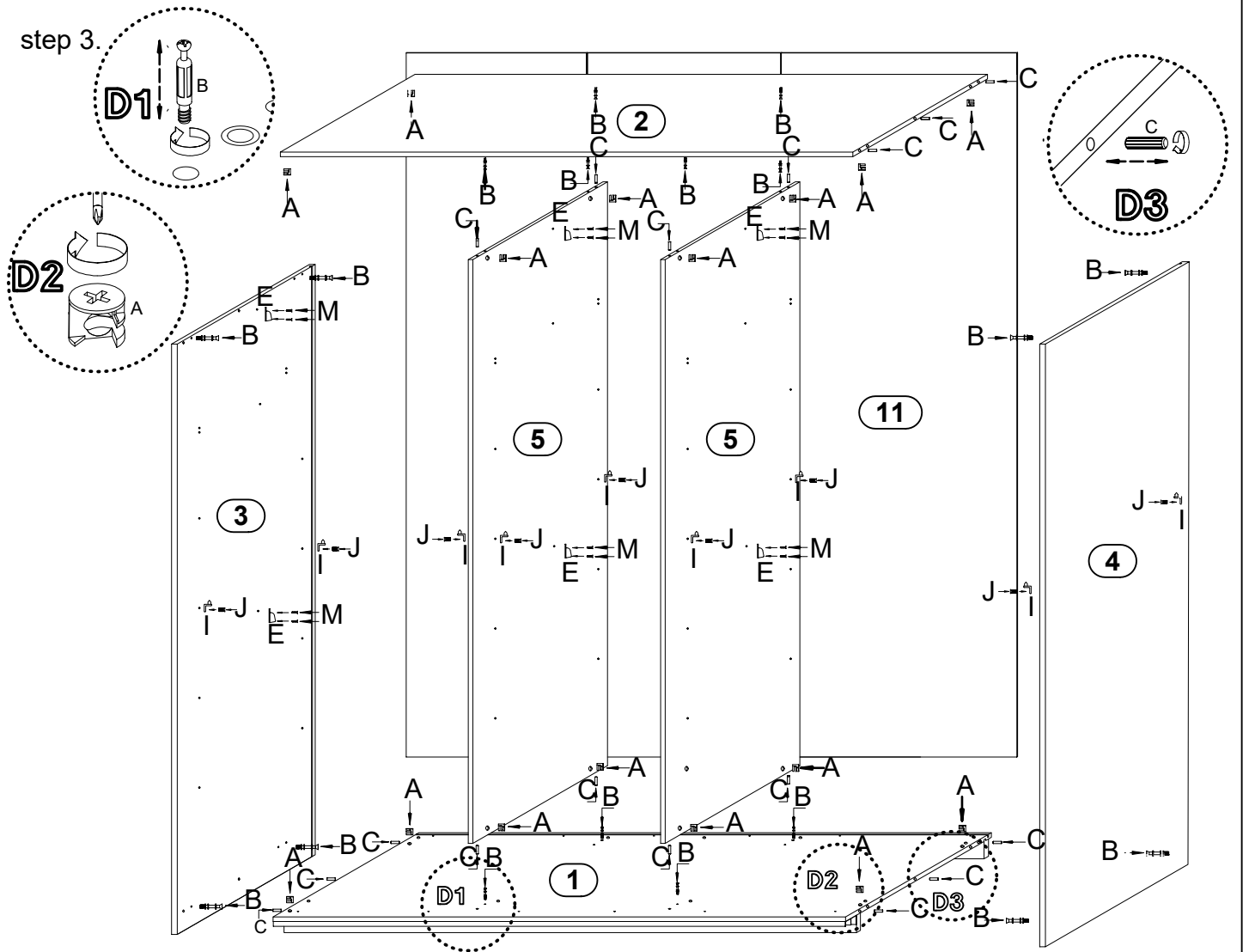
step 1.



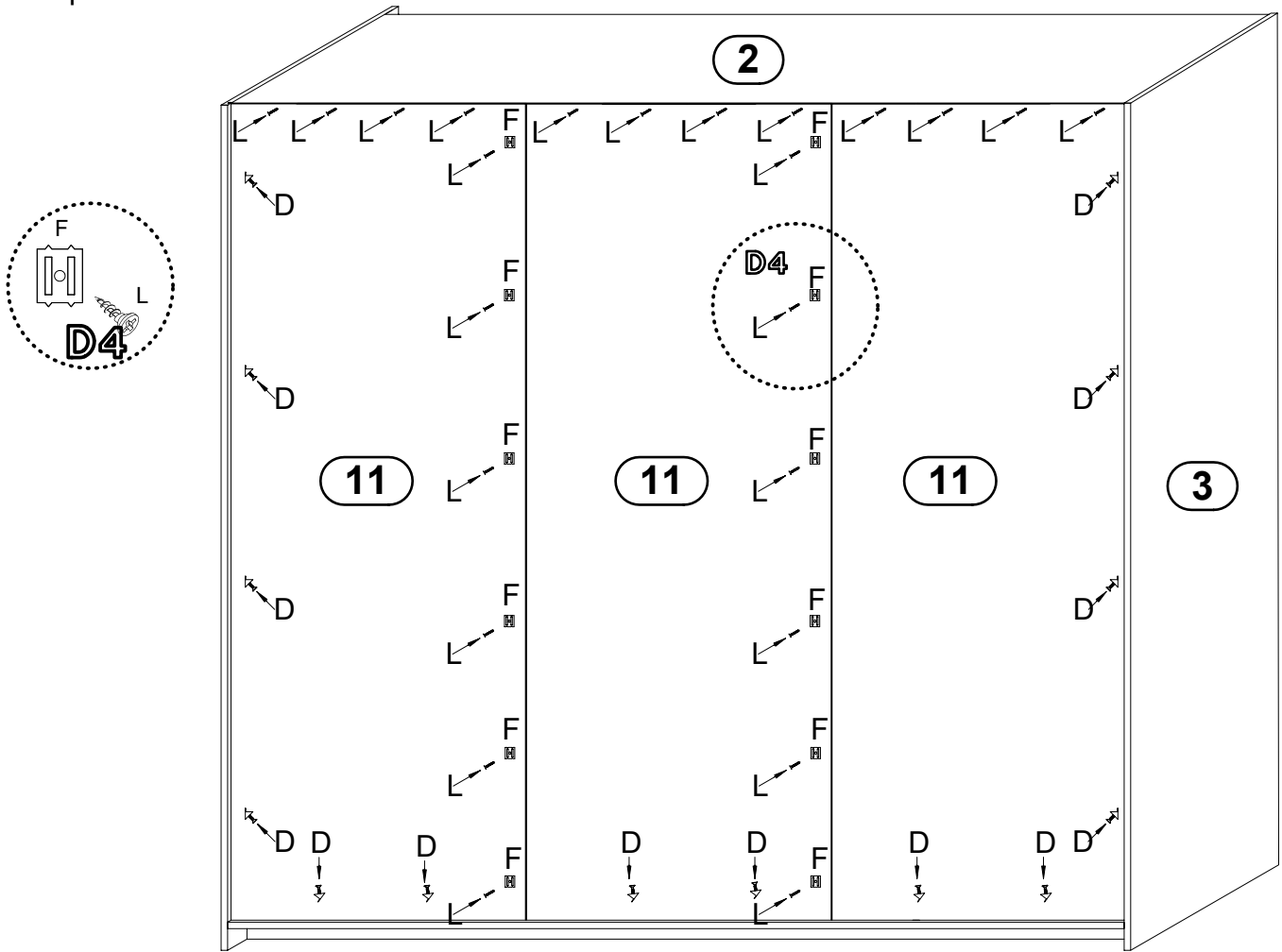
step 2.



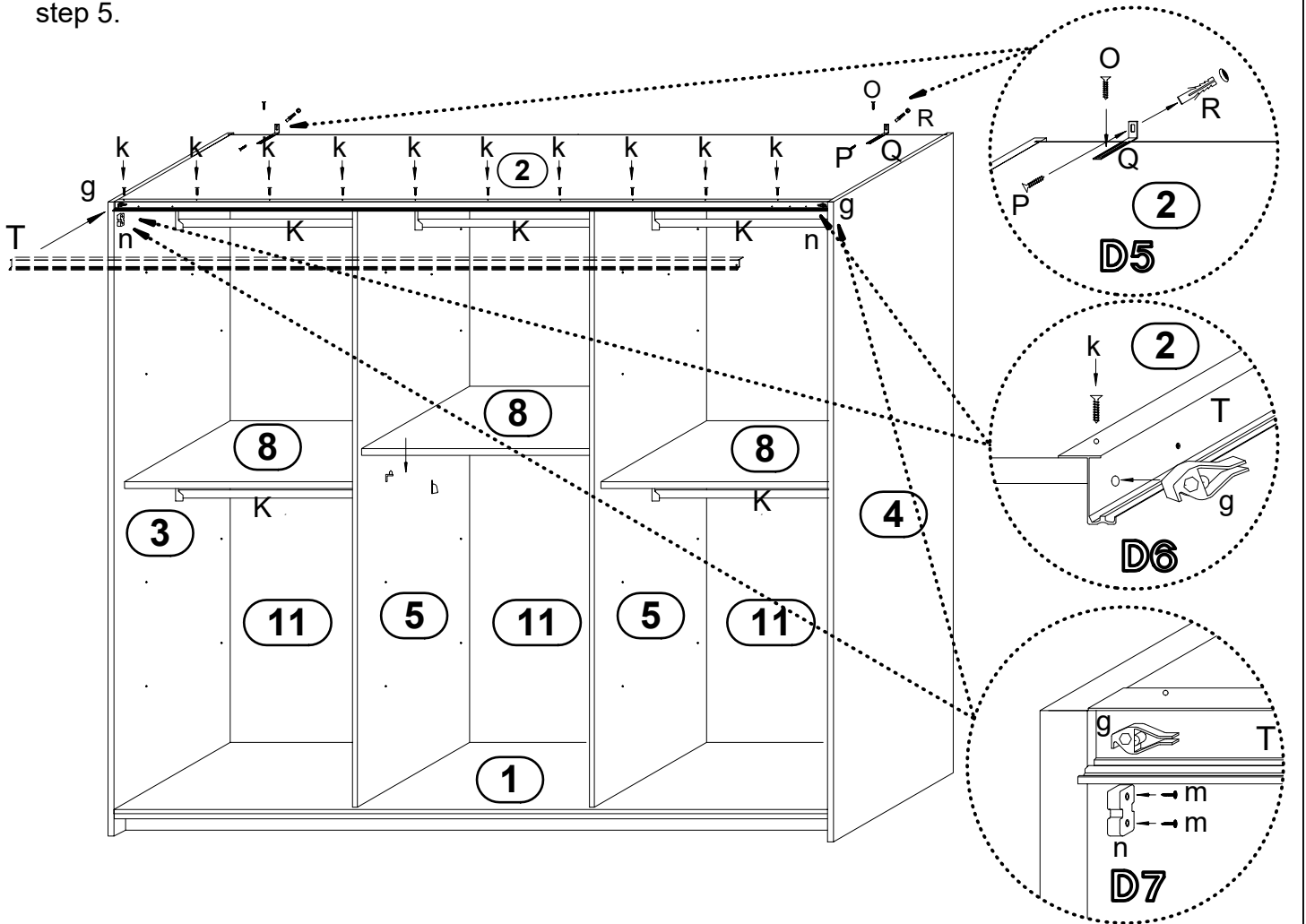
step 3.



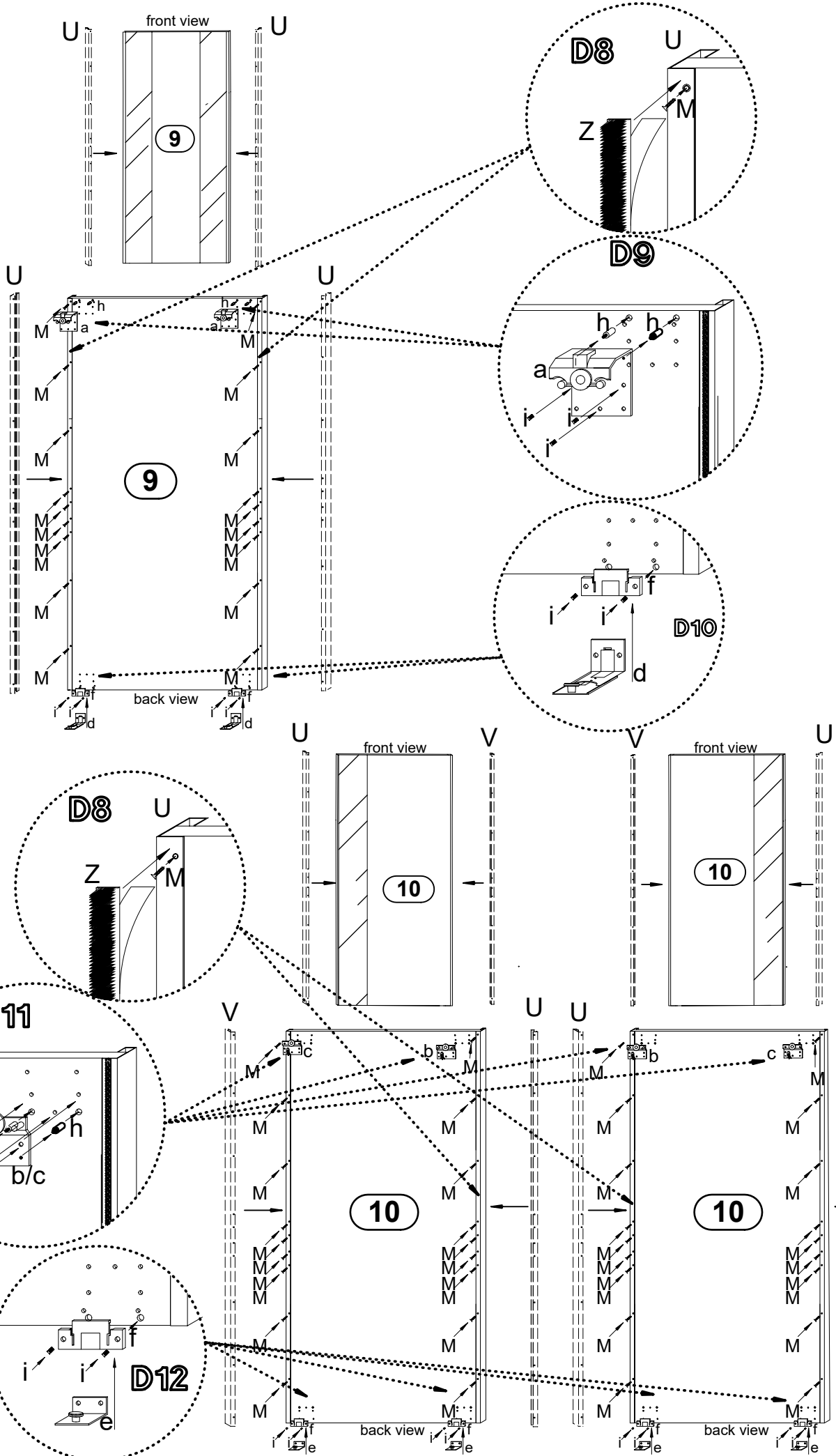
step 4.



step 5.



step 6.



step 7.

