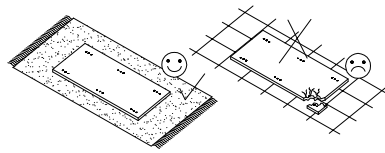
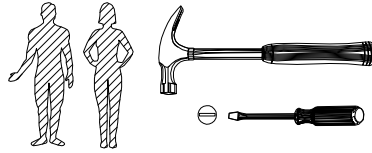
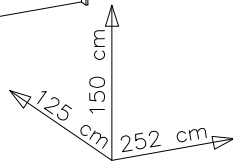
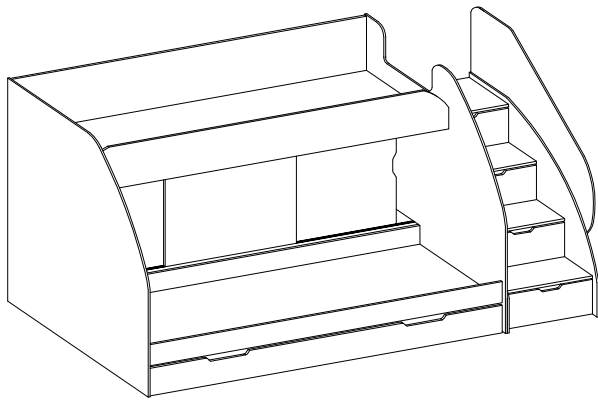
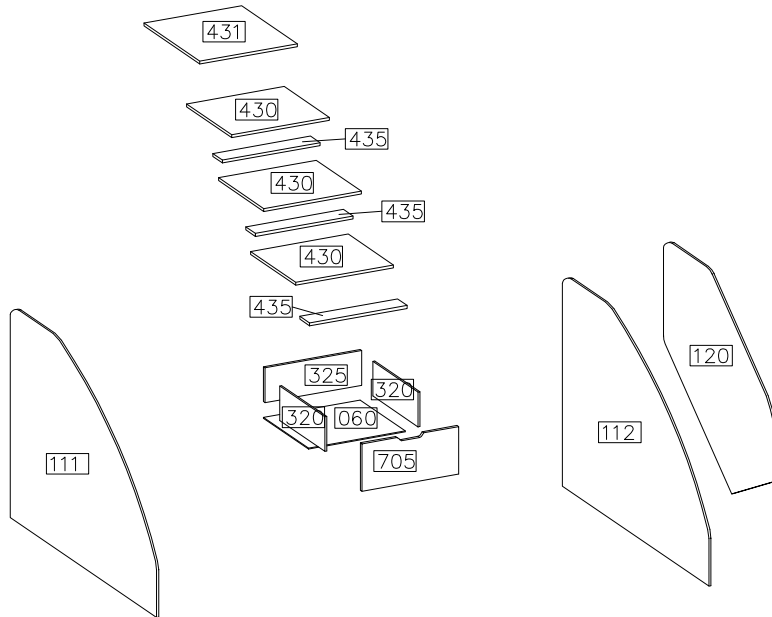
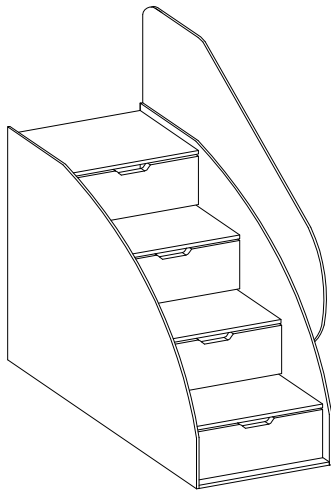



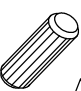








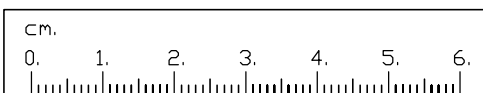
MARCINEK



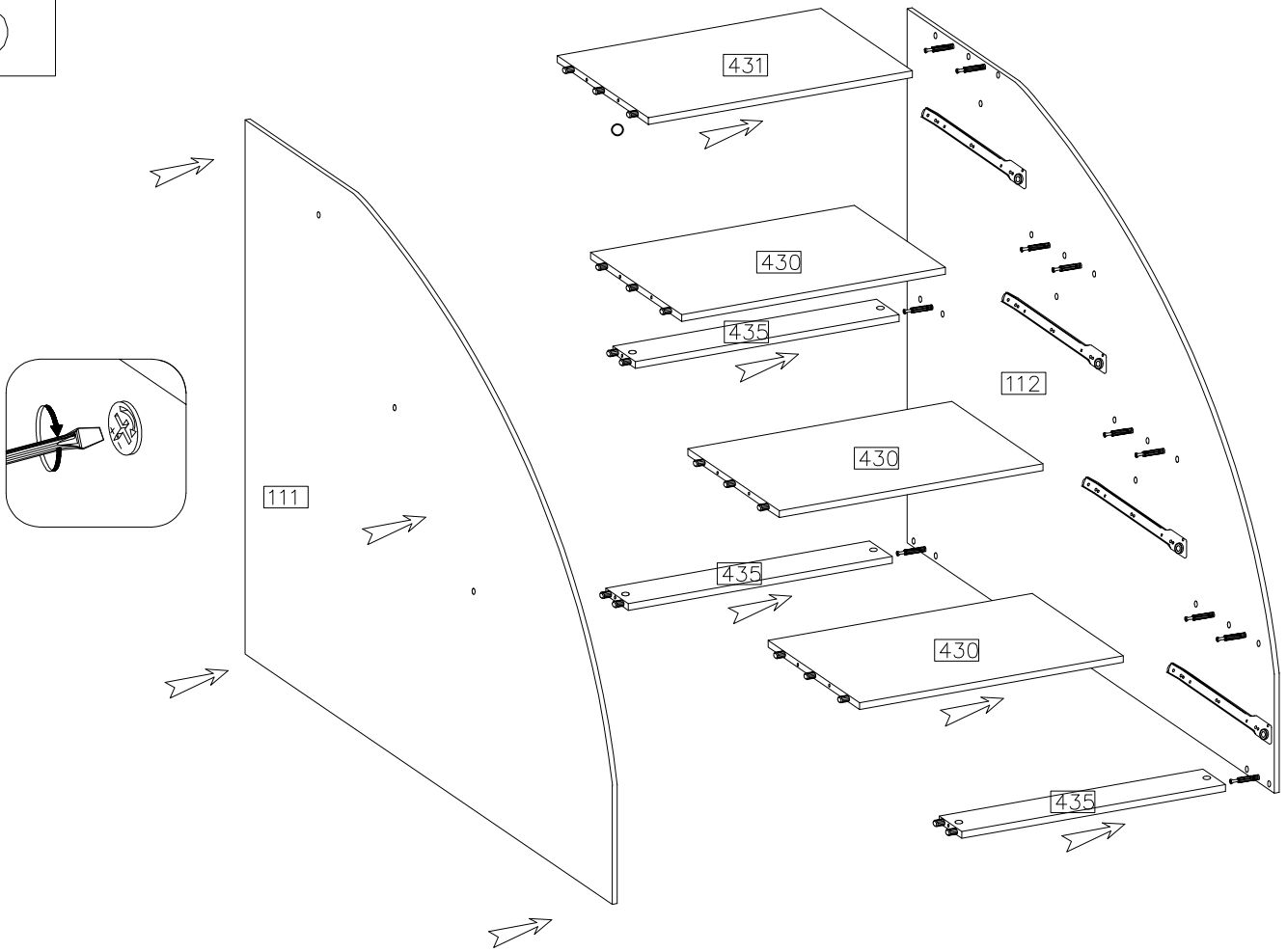
| # | ART. NR | QUANTITY |
|----|---------|----------|
| 1 | 430 | 3 |
| 2 | 431 | 1 |
| 3 | 435 | 3 |
| 4 | 111 | 1 |
| 5 | 112 | 1 |
| 6 | 120 | 1 |
| 7 | 705 | 4 |
| 8 | 320 | 8 |
| 9 | 325 | 4 |
| 10 | 060 | 4 |
| | | |
| | | |



| | | | | | |
|---|---|---|---|---|---|
|  D1 |  C |  E |  A |  P1 |  F1 |
| 40 | 40 | 40 | 70 | 16 | 6 |
|  F10 |  P2 |  PR |  J5 | | |
| 40 | 16 | 4 KPL | 6 | | |

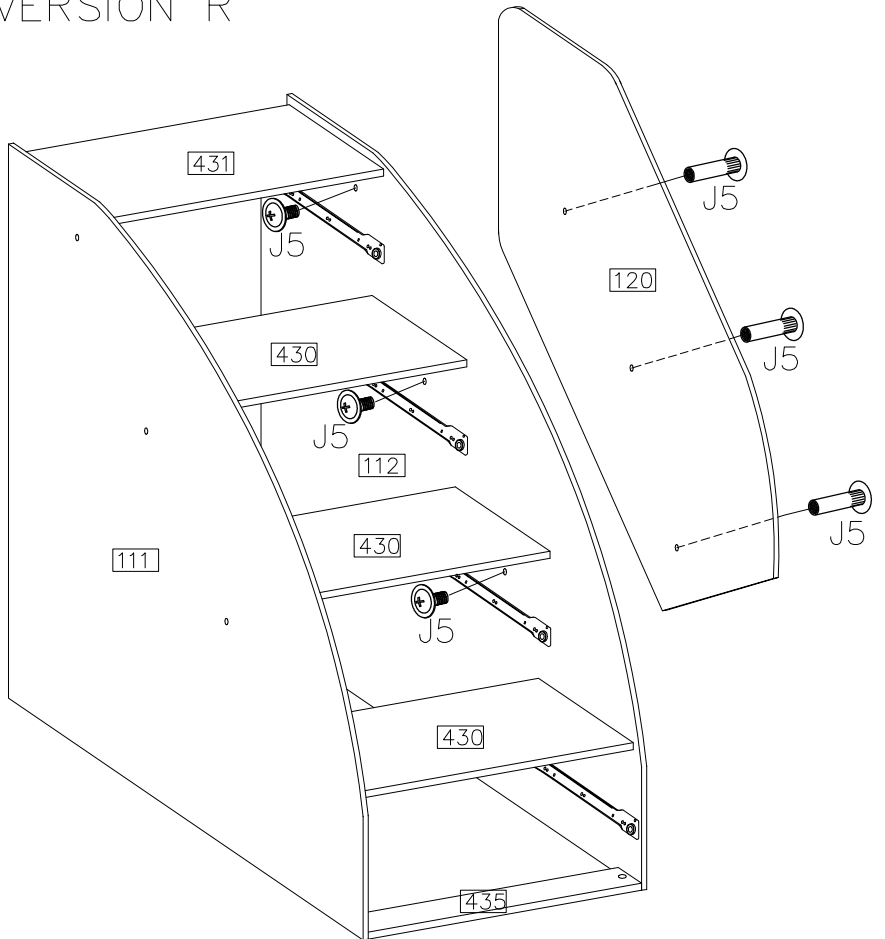
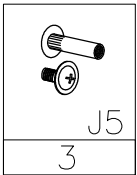


3

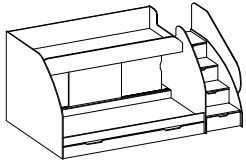
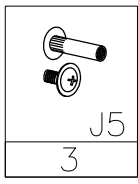


4

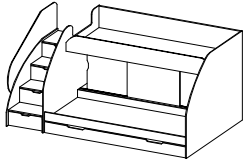
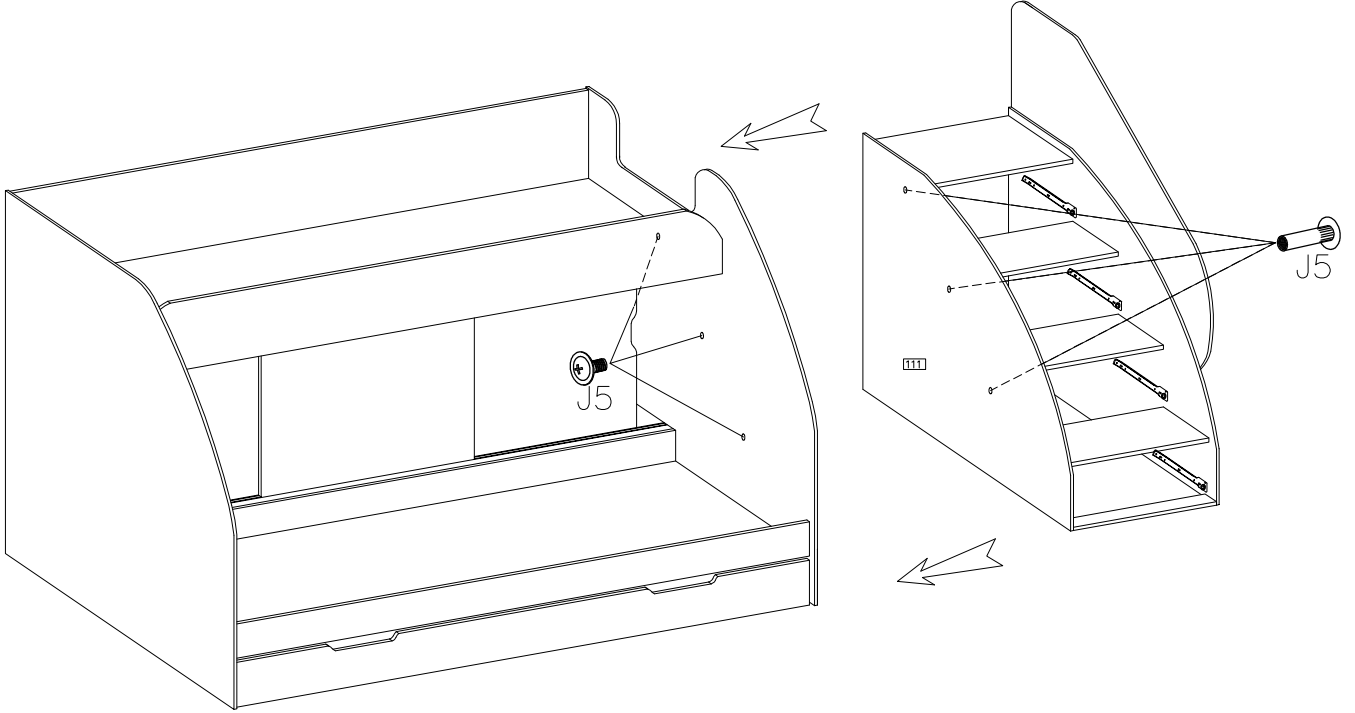
VERSION R



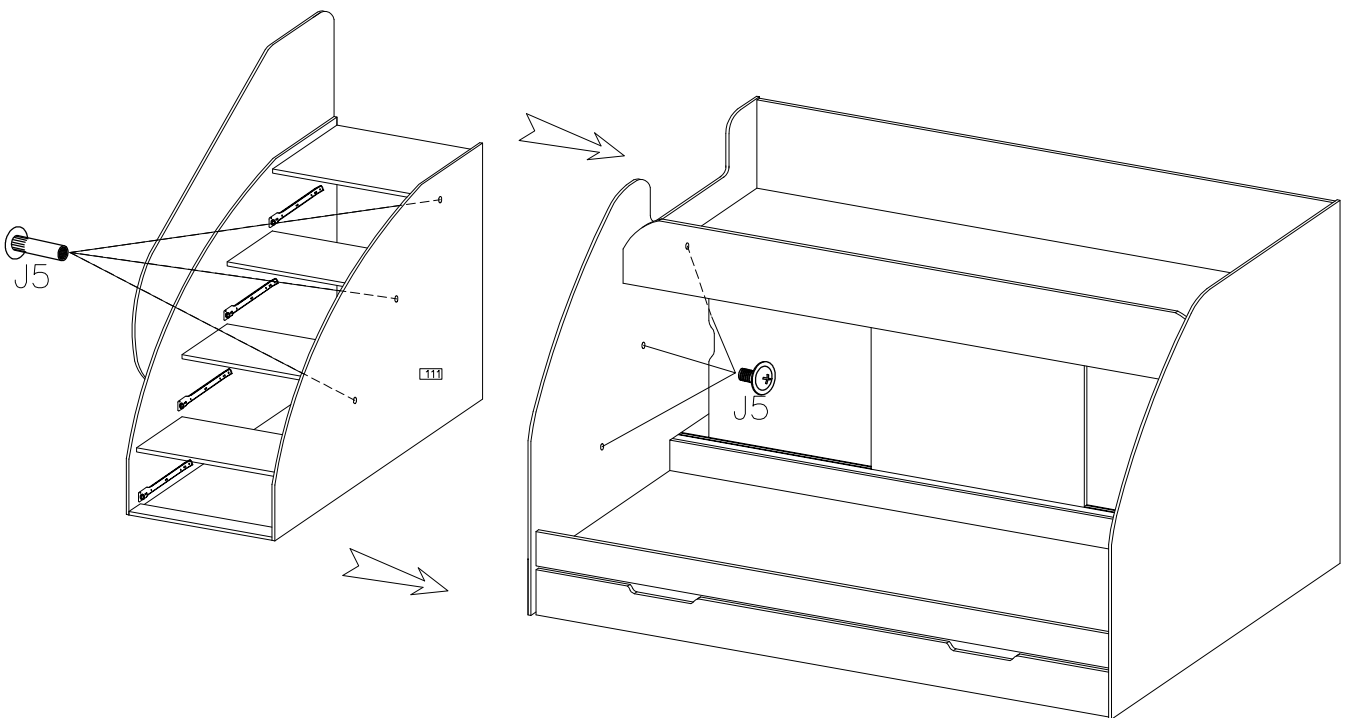
5



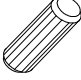


VERSION R



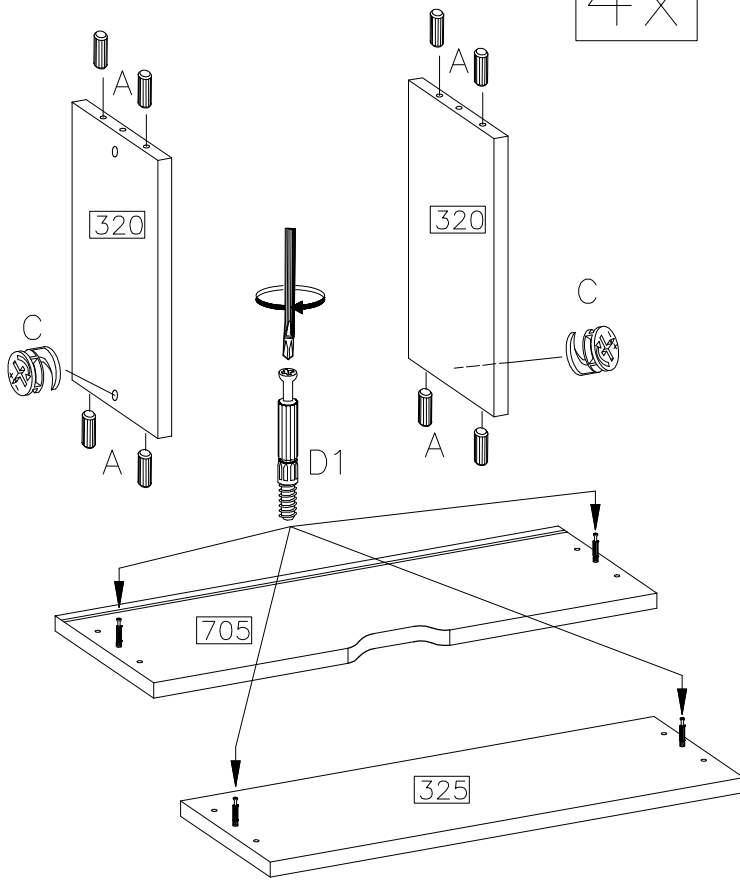
VERSION L





6

| | | |
|---|---|---|
| $\varnothing 8 \times 30 \text{mm}$  A | $\varnothing 15 / 12 \text{mm}$  C |  D1 |
| 32 | 8 | 16 |

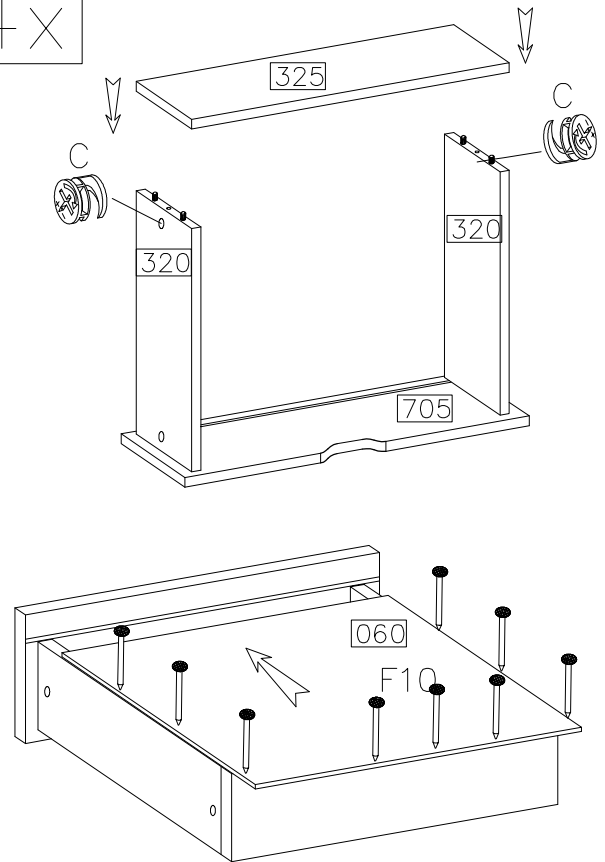
4x



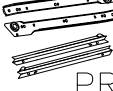

7

| | |
|---|---|
|  F10 | $\varnothing 15 / 12 \text{mm}$  C |
| 40 | 8 |

4x



8

| | |
|--|--|
| L-350  PR | $\varnothing 4.0 \times 16 \text{mm}$  P1 |
| 4KPL | 16 |

4x

