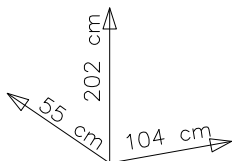
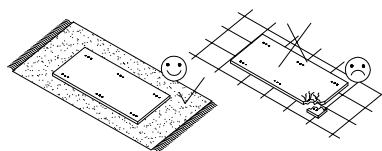
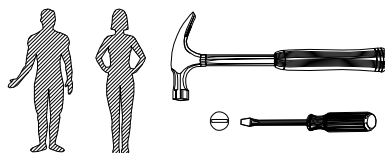
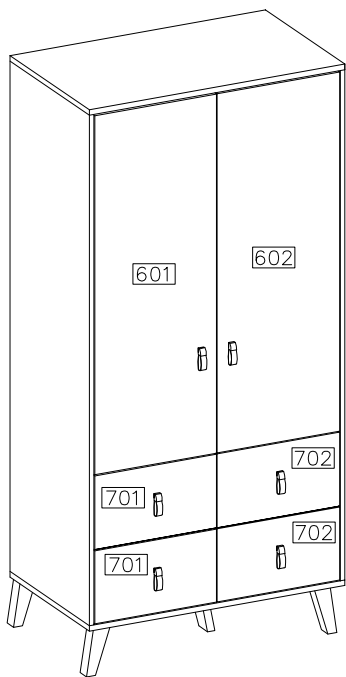
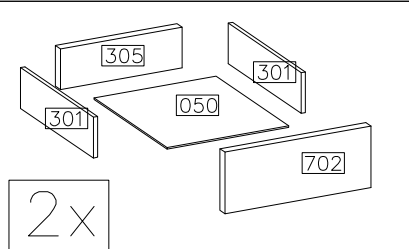
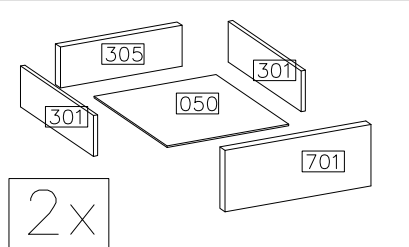
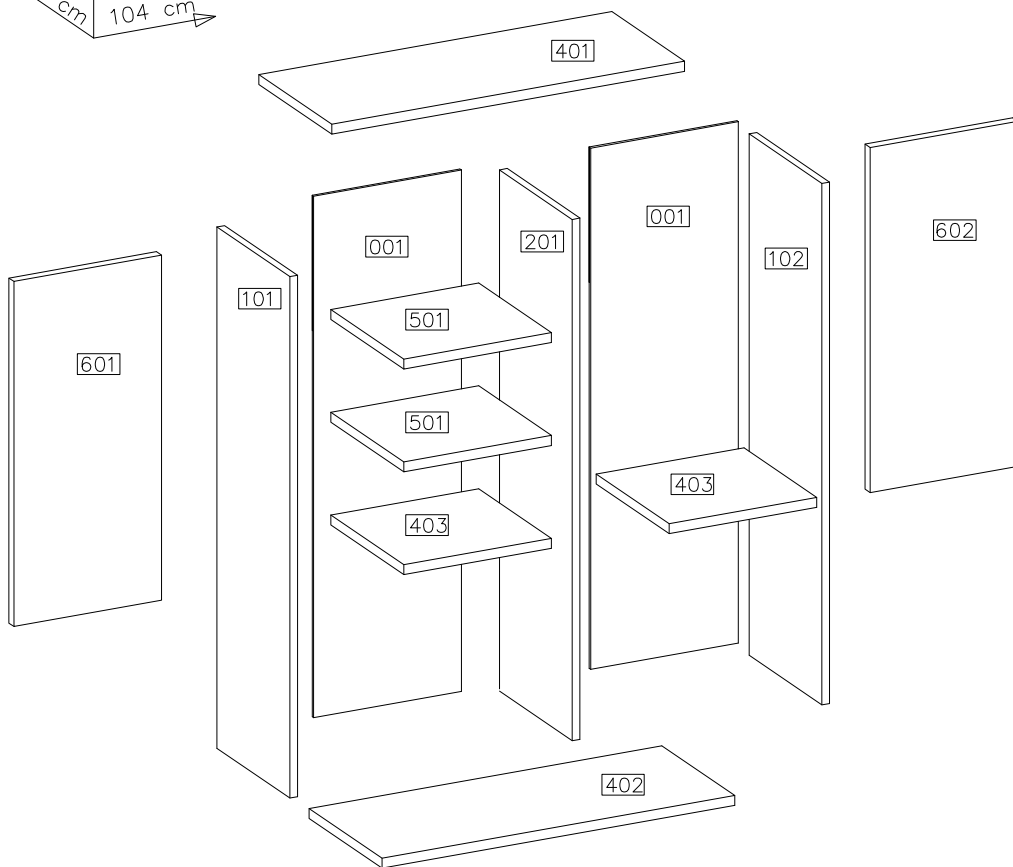


FIGO-4S2D

06







#	ART. NR	QUANTITY
1	401	1
2	402	1
3	403	2
4	101	1
5	102	1
6	201	1
7	501	2
8	701	2
9	702	2
10	301	8
11	305	4
12	050	4
13	001	2
14	601	1
15	602	1

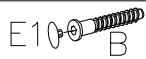
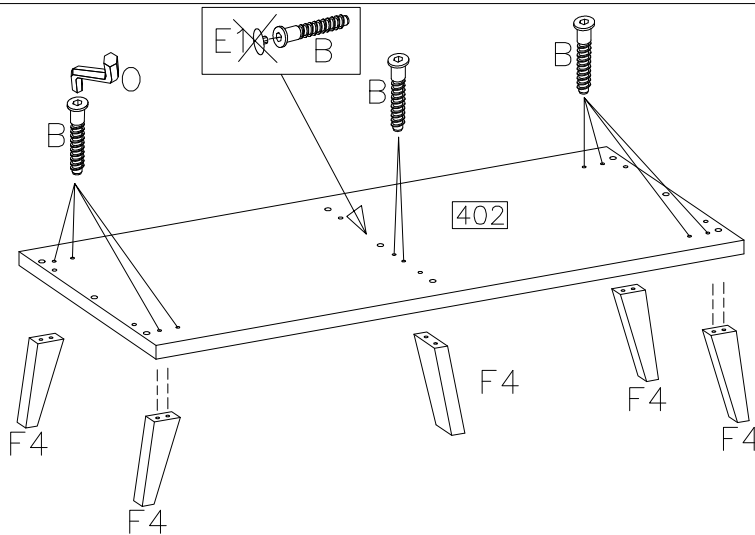


20	20	20	62	64	6	6	20	2	1
100	5	10	10	1	4	4SZT	6	6	8




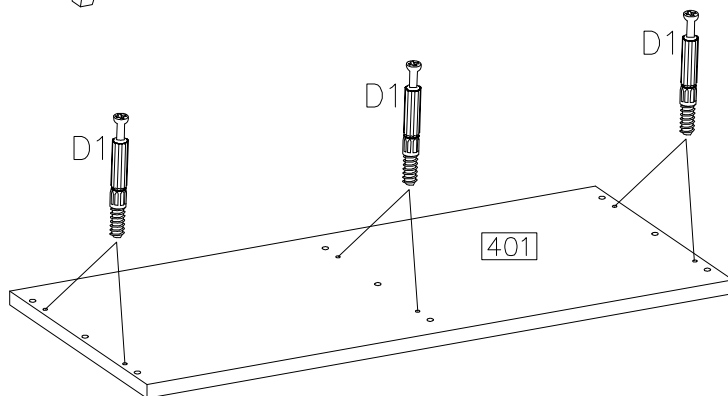
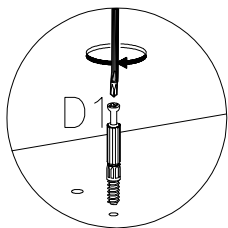
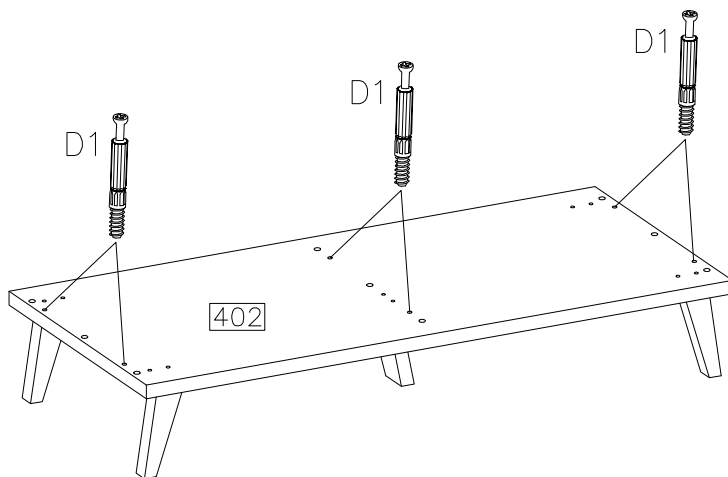
1

	
B	E1
10	8
	
F4	O
5	1

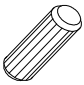



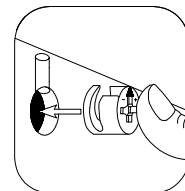
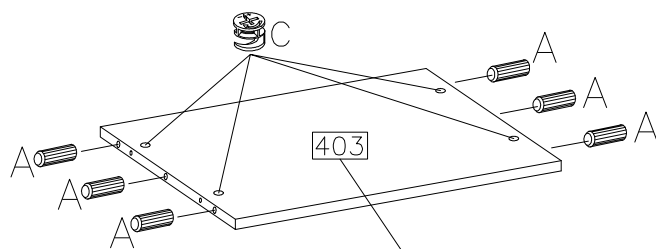
2


D1
12



3

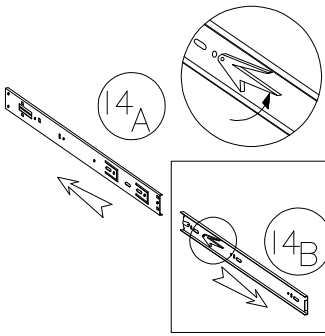
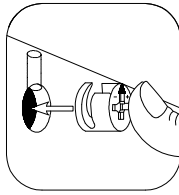
$\varnothing 8 \times 30 \text{mm}$

A
12
$\varnothing 15 / 12 \text{mm}$

C
8



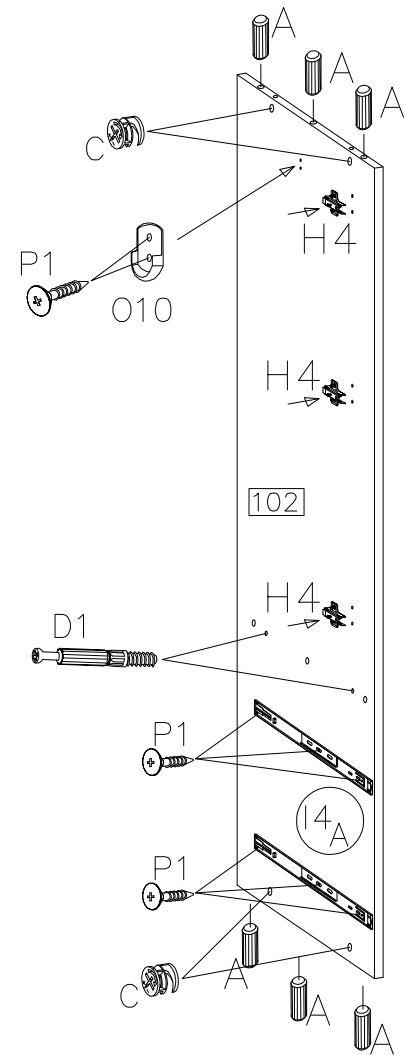
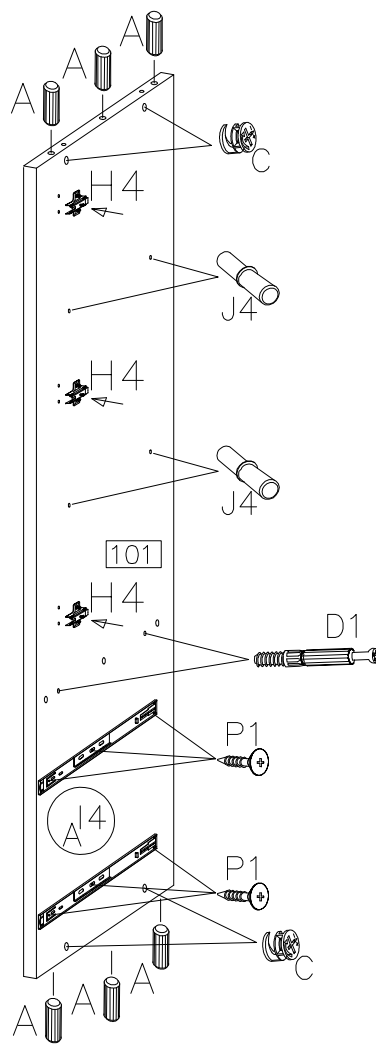
2x

4

I4	D1
4SZT	4
ø8x30mm	ø15/12mm
A	C
12	8
J4	P1
4	14
J4	H4
4	6
	O10
	1

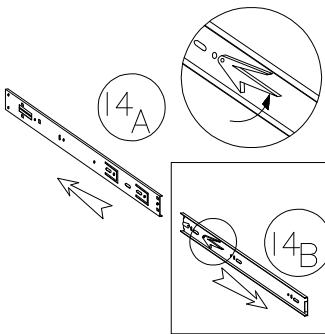
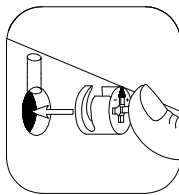


DO KROKU
TO STEP
12

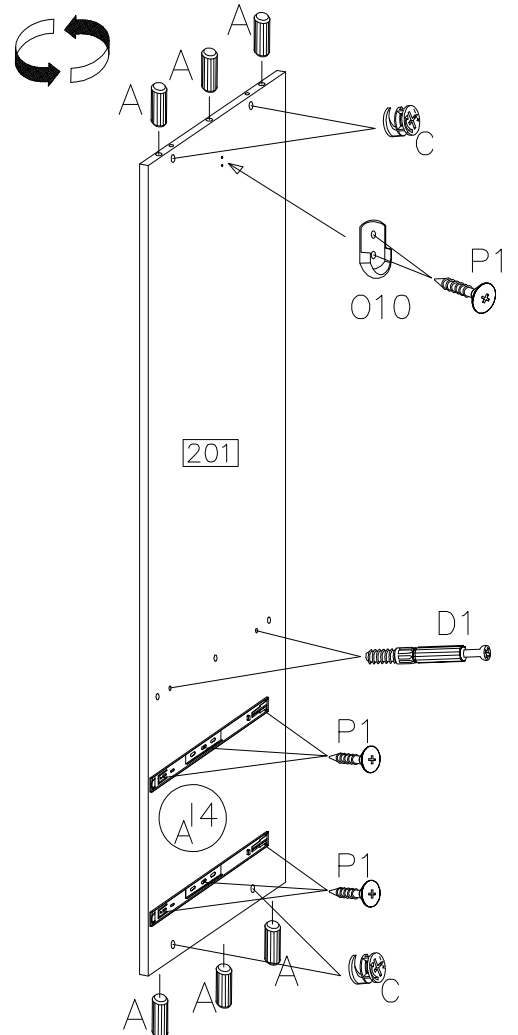
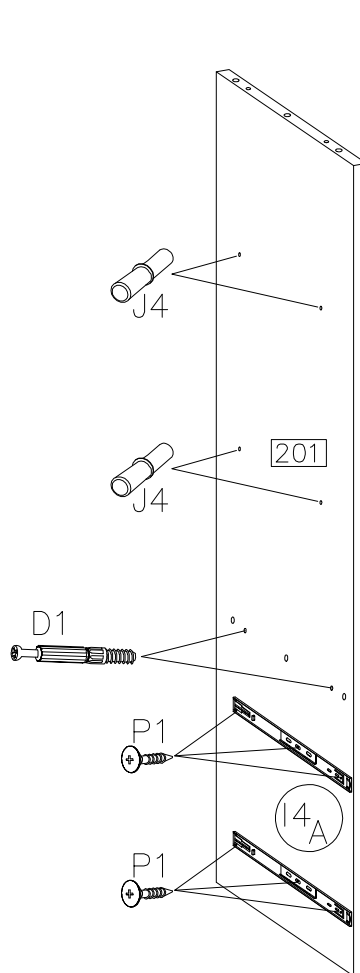


5

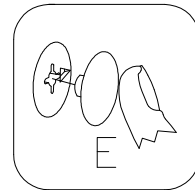
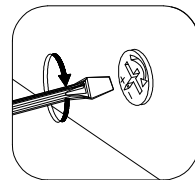
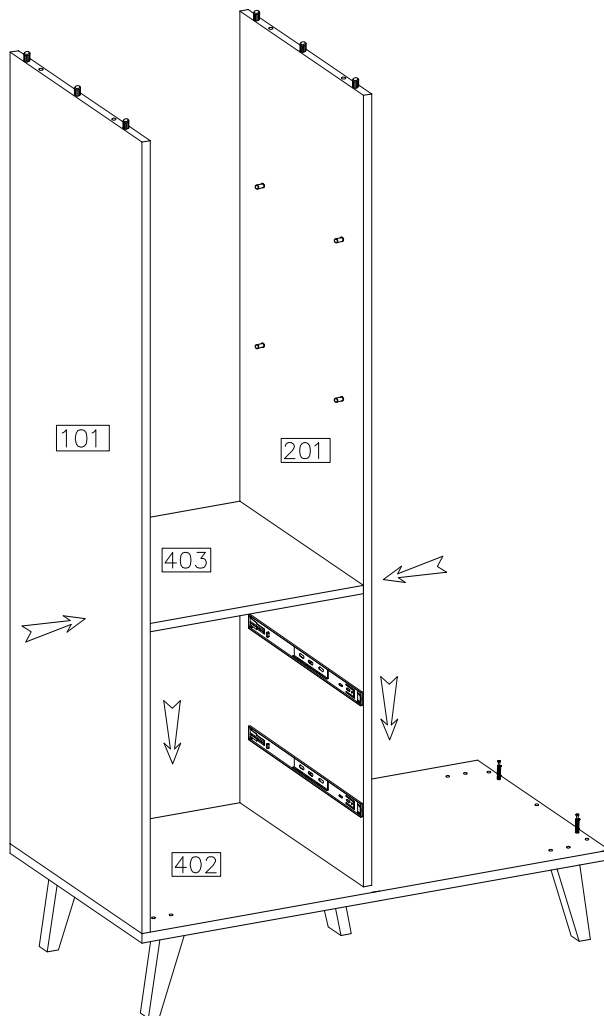
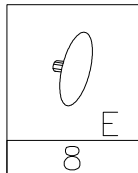
I4	D1
4SZT	4
ø8x30mm	ø15/12mm
A	C
6	4
J4	O10
4	1



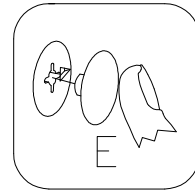
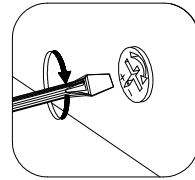
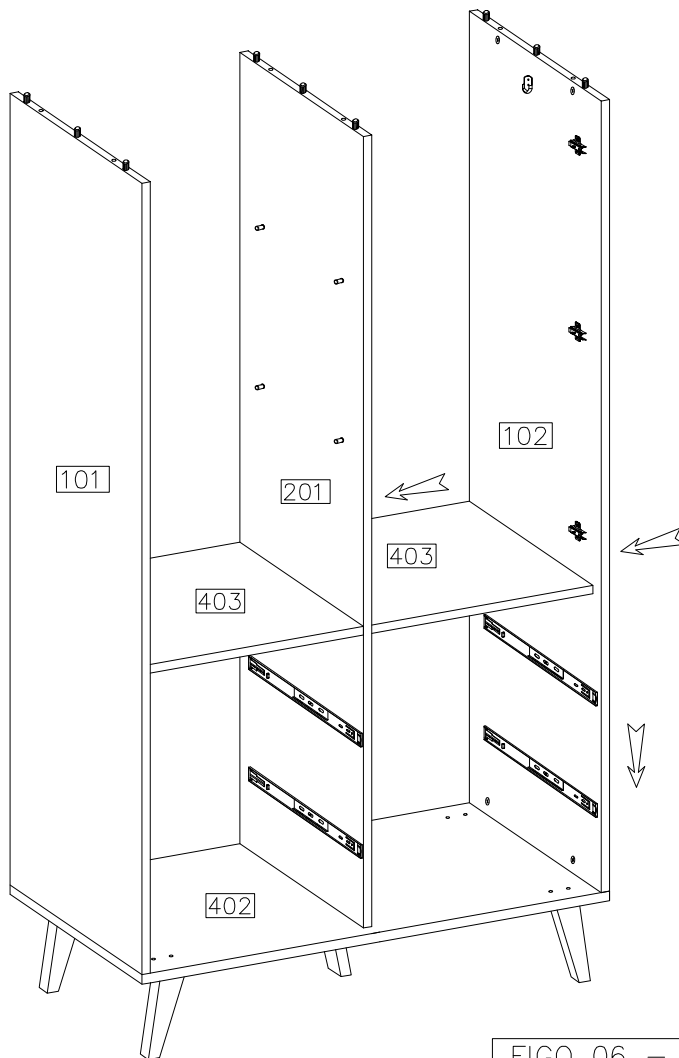
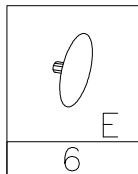
DO KROKU
TO STEP
12



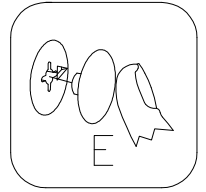
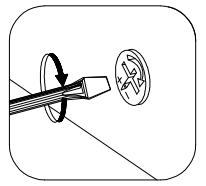
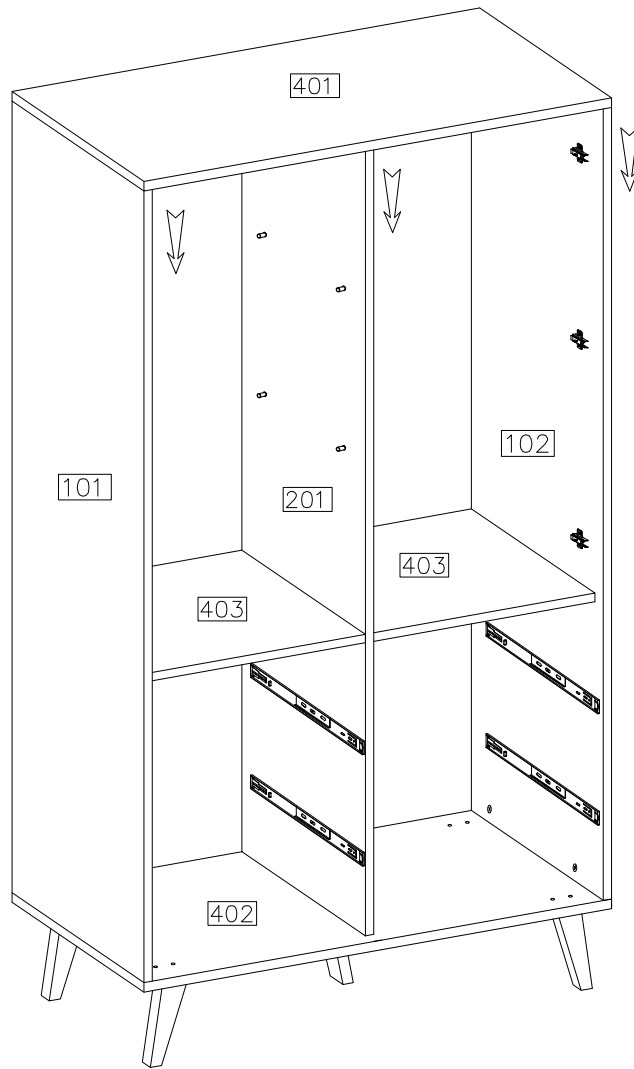
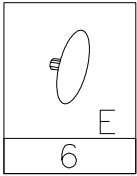
6



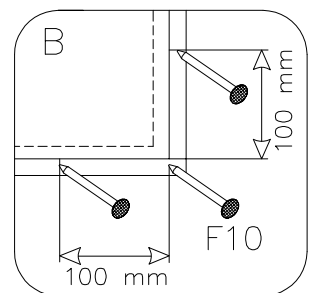
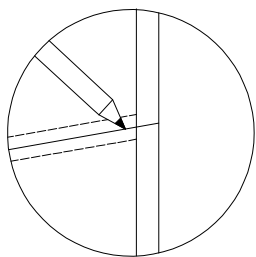
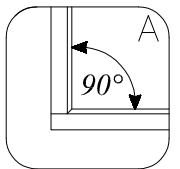
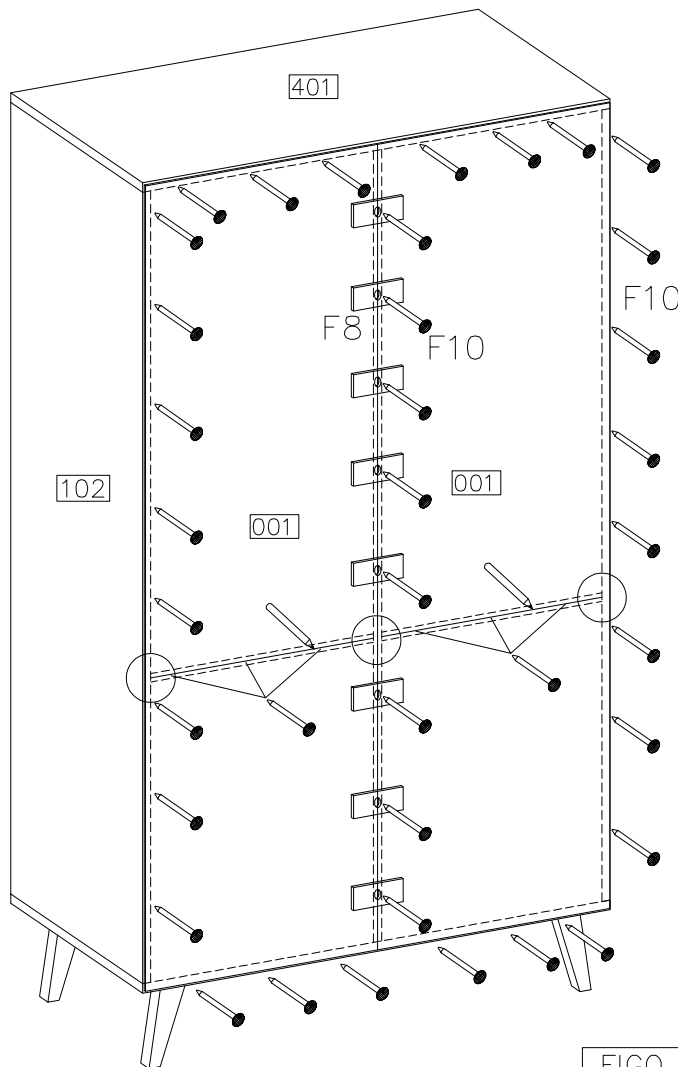
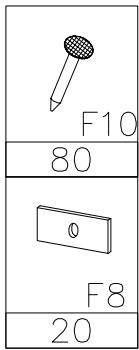
7



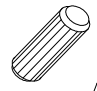

8



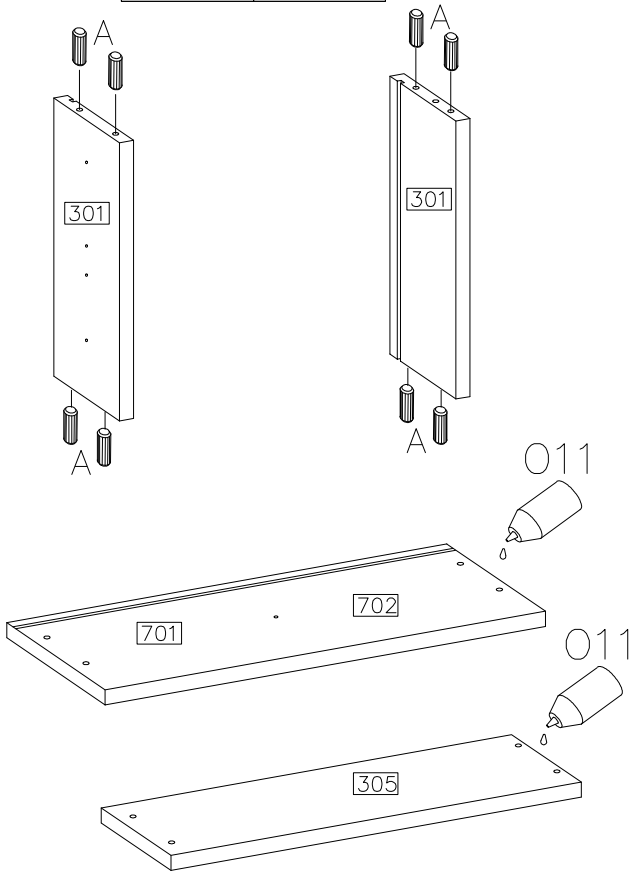
9





10

∅8x30mm		
32	A	O11

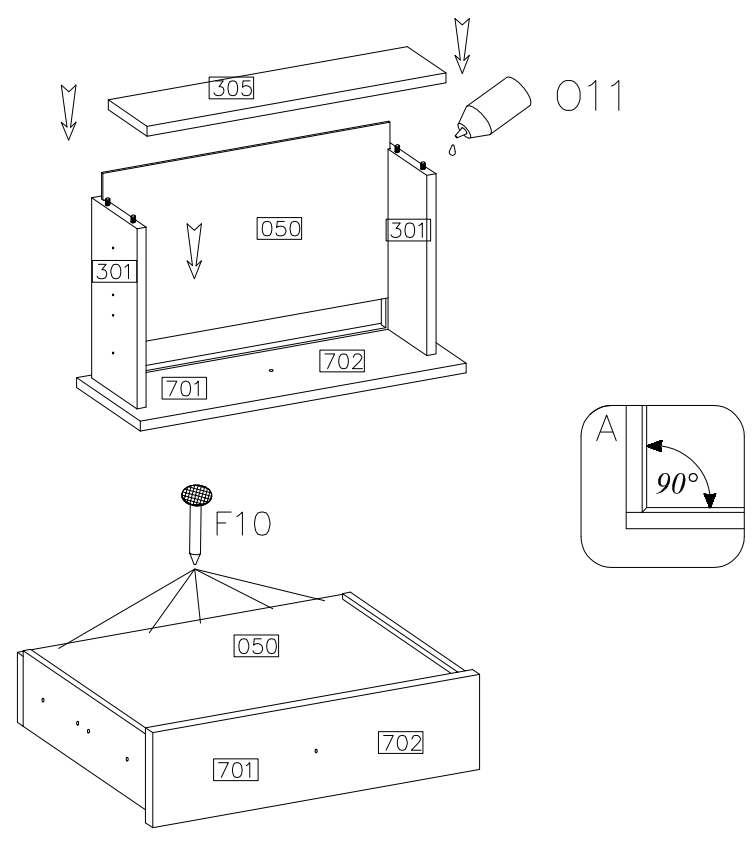
4x



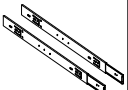



11

	
20	F10

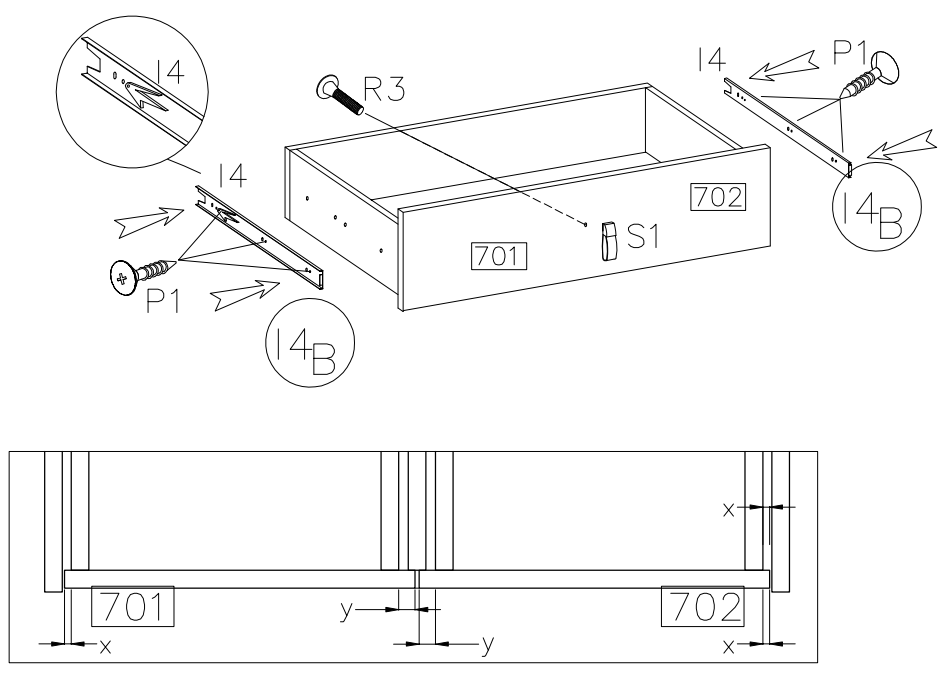
4x



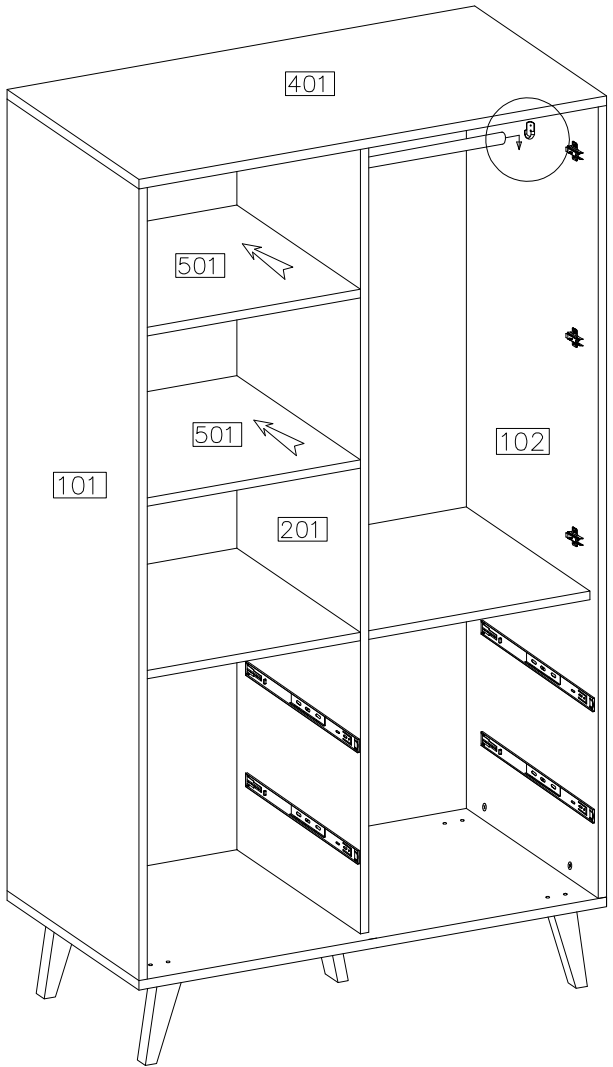
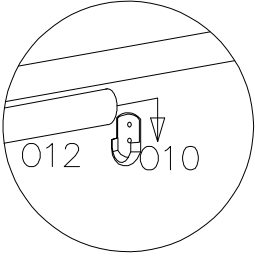
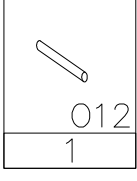
12

	I4
4KPL	∅4.0x16mm
	P1
24	
	S1
4	
M4.0x23mm	
	R3
4	

4x



13



14

4.0x16mm P1 12	ø35/KR-15 G7 6
 S1 2	M4.0x23mm R3 2

