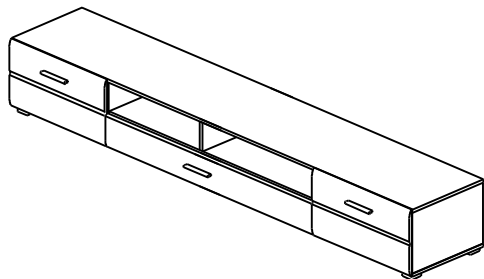
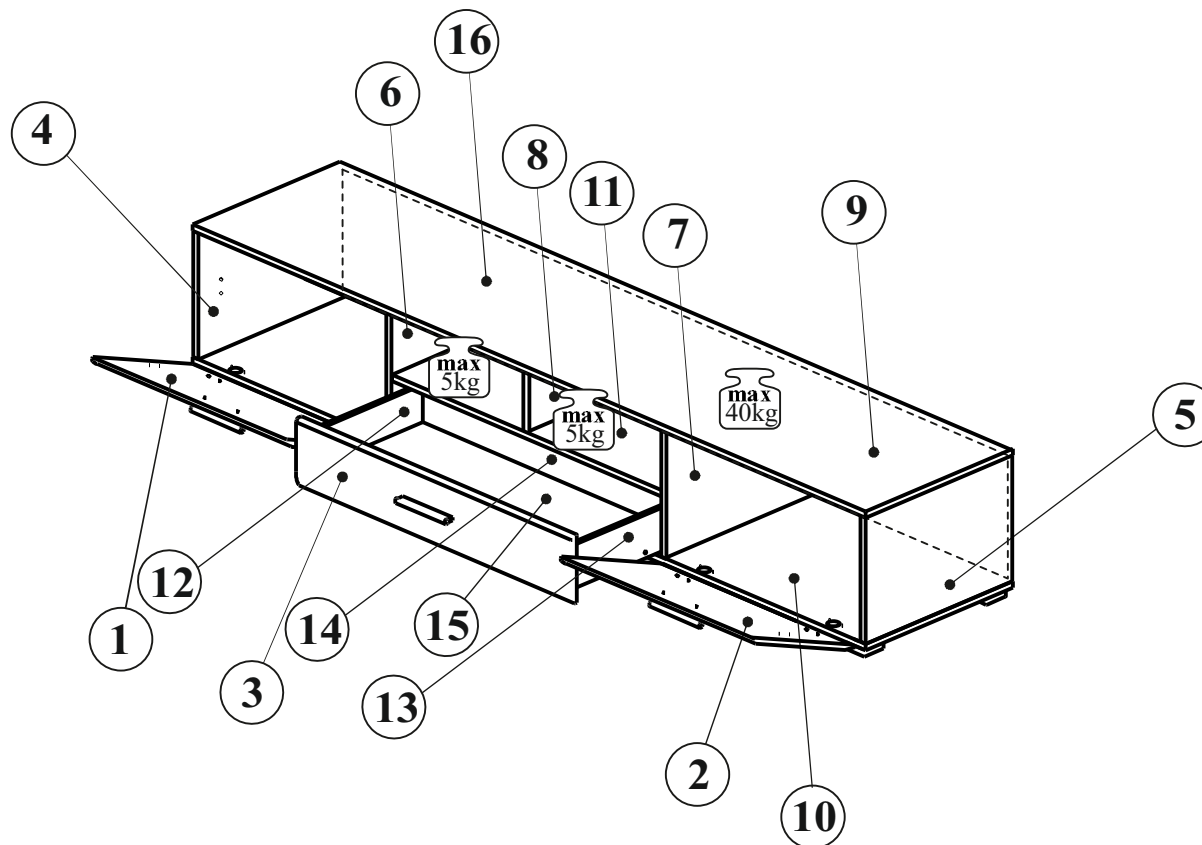


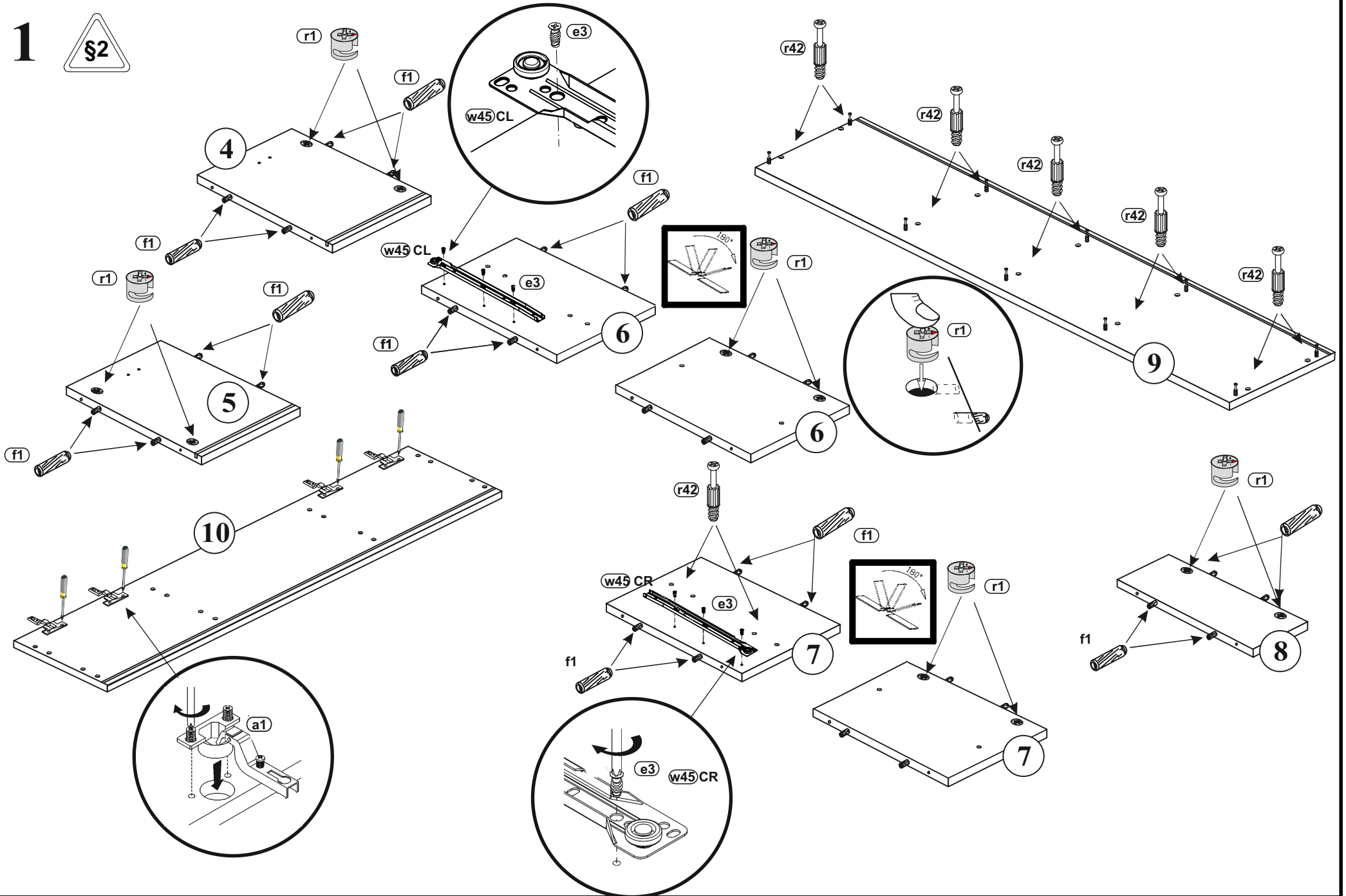
2x 1x		cm 0 1 2 3 4 5 6 7 8 9 10										4x 4x 8x	
8x D5 b19	7x c430/1	16x ø5x17 mm d1	8x ø 5x17 mm d3	32x ø 7x50 mm e1	2x ø 6,3x13 mm e2	6x ø6x13 mm e3	4x ø6,3x13 mm e5	4x ø5x11 mm e4	4x ø5x9 mm e19	48x ø8x30 mm f1	4x ø6,5x40 mm f25	8x ø10x50 mm f35	
2x g2	10x 60x60x25 mm EX k55	30x l2	2x L-236 m3	2x ø1x21x15/1,5mm n14	2x n165/L	2x n165/P	12x o1	2x silikon ø8x1,8mm o21	14x ø4x30 mm p9	4x ø5x60 mm p17	28x ø4x30 mm p21	2x ø3,5x16 mm p25	
22x ø3,5x16 mm p38	6x ø3,5x9,5 mm p44	16x ø3,5x15 mm p51	4x ø6x60 mm p75	26x ø15x12mm #16 r1	26x 20/11 r42	21x ø16 s2	1x 333 mm t19	1x 350 mm w45^{CR}	1x 350 mm w45^{CL}	1x 350 mm w45^{DL}	1x 350 mm w45^{DR}	1x z1	



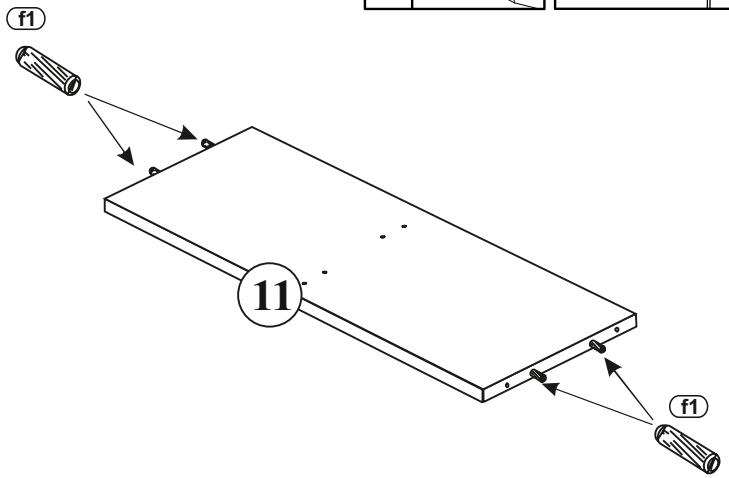
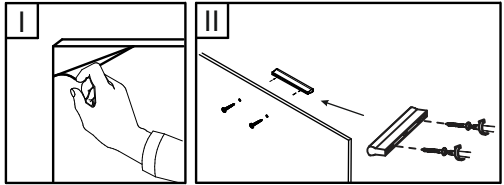
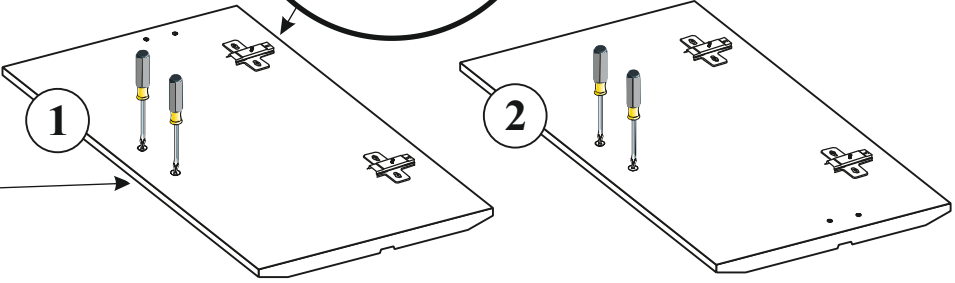
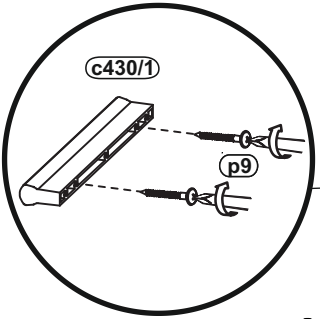
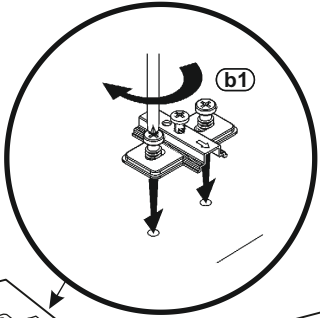
A	B	C (mm)		D
1	N25-001	498	311	1/5
2	N25-002	498	311	1/5
3	N25-003	991	156	1/5
4	N37-102	285	384	1/5
5	N37-103	285	384	1/5
6	N37-104	285	364	1/5
7	N37-105	285	364	1/5
8	N37-106	135	364	1/5
9	N37-203	2000	384	1/5
10	N37-204	2000	384	1/5
11	N37-302	979	364	1/5
12	N37-501	350	90	1/5
13	N37-502	350	90	1/5
14	N25-503	922	90	1/5
15	N37-902	932	350	1/5
16	N37-903	1977	295	1/5



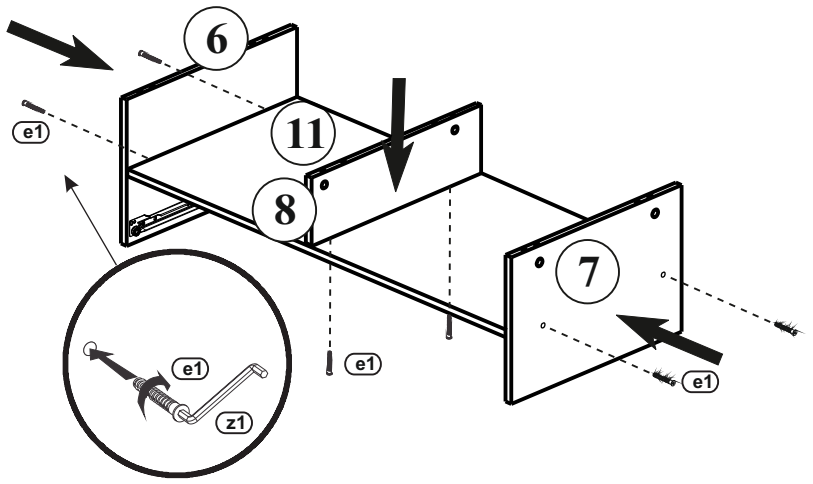
1



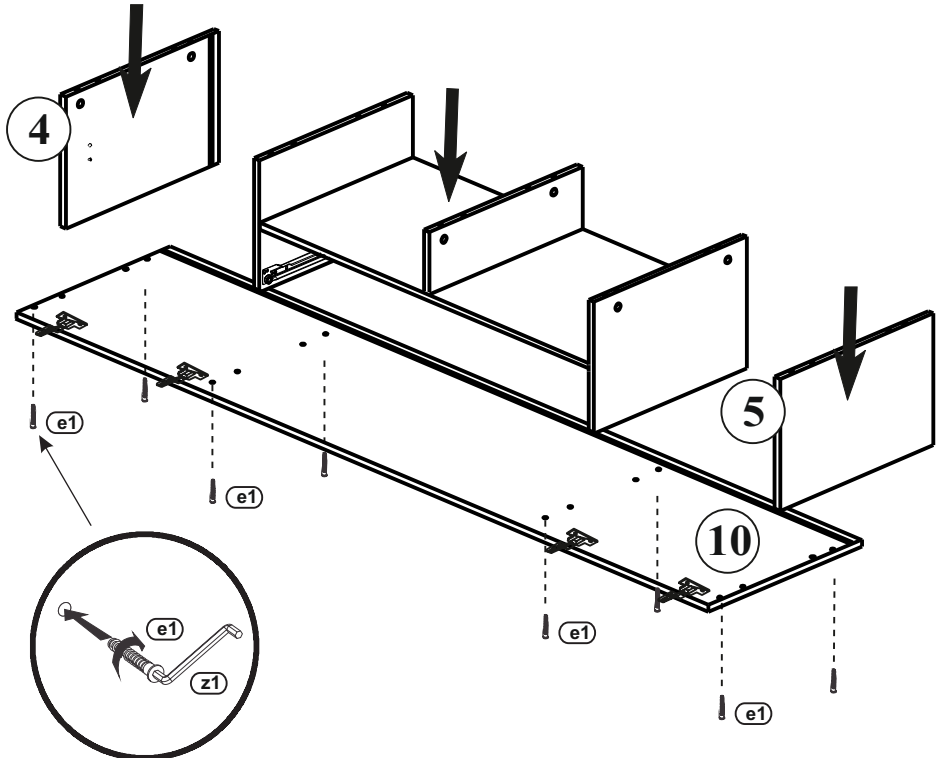
2



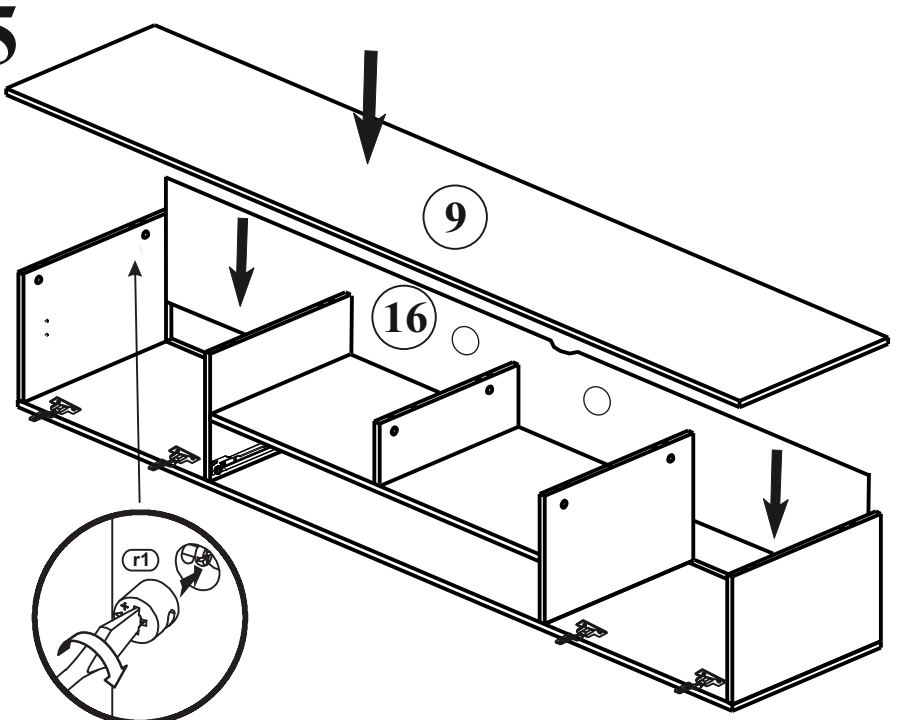
3



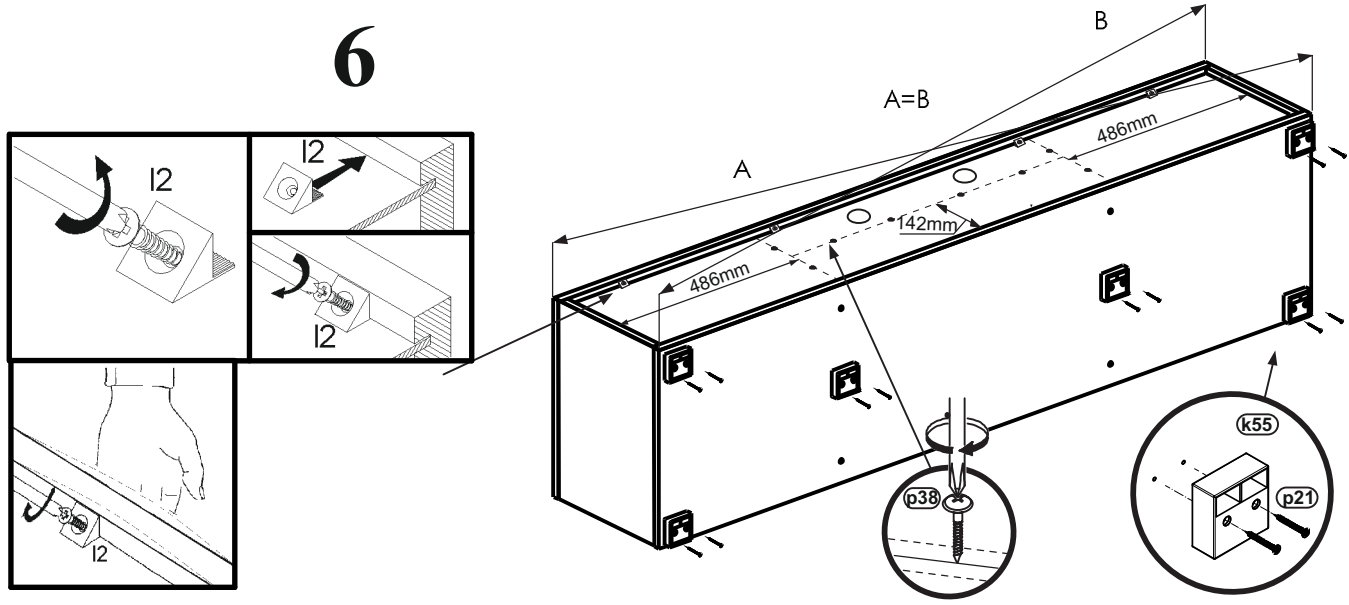
4

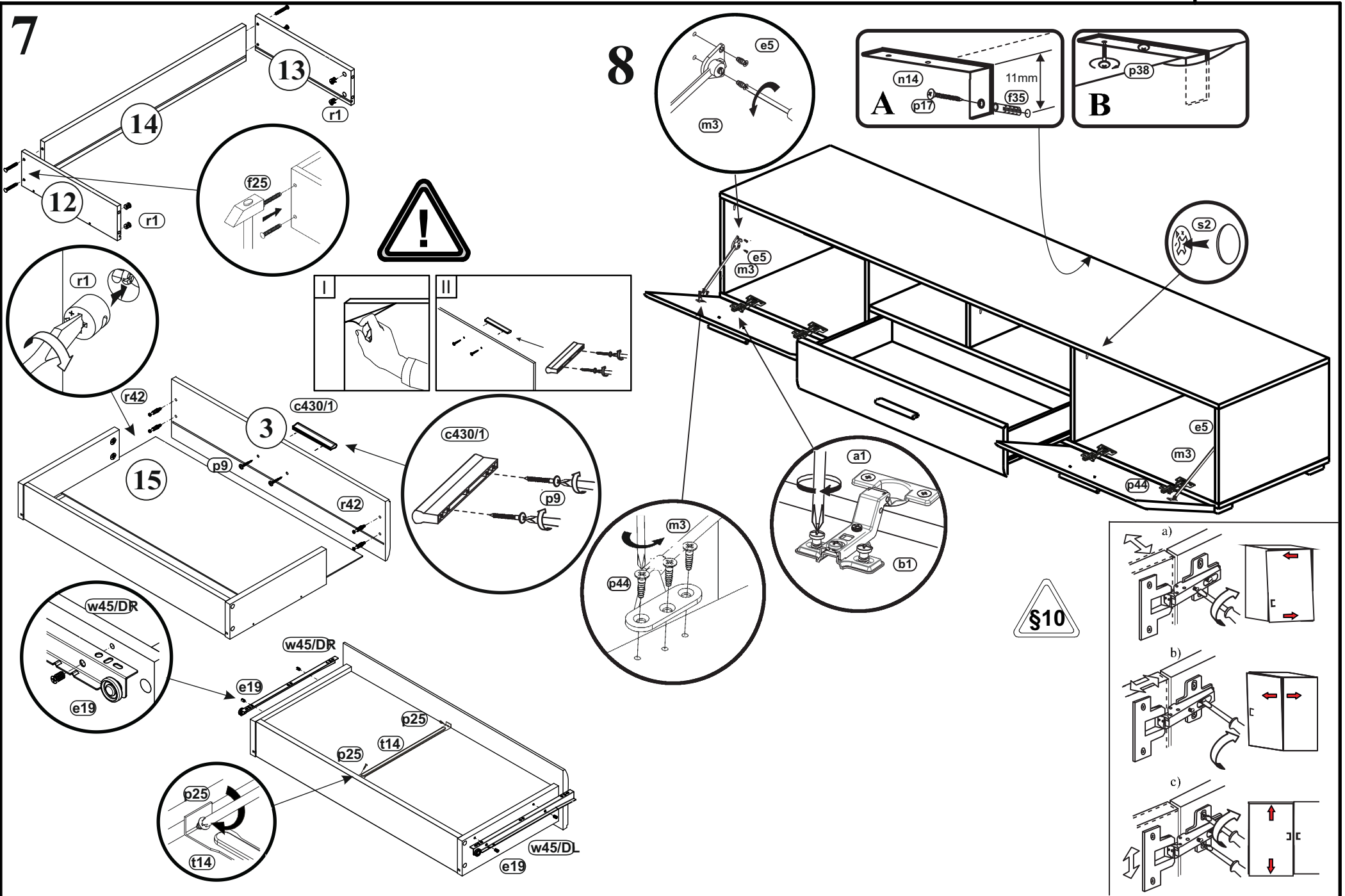


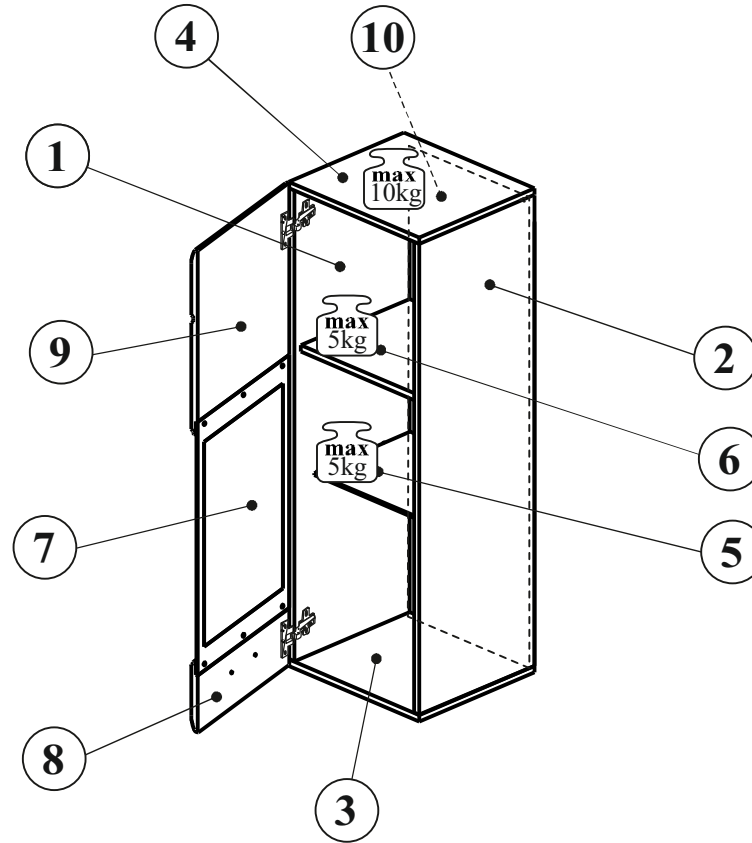
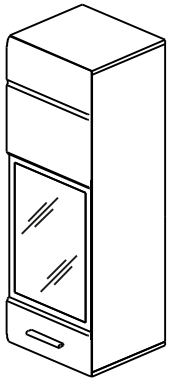
5



6



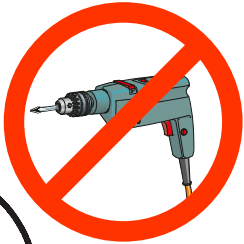
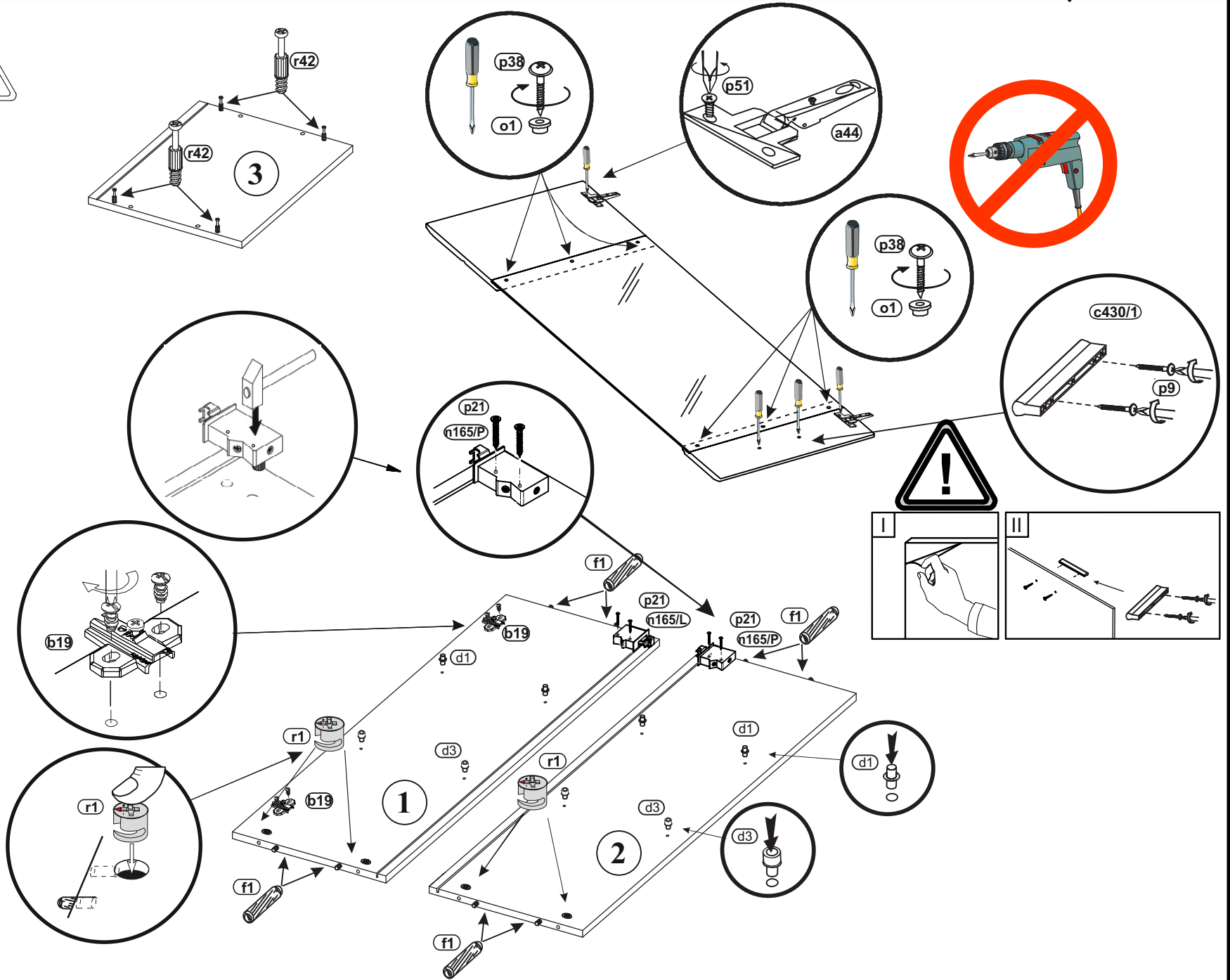




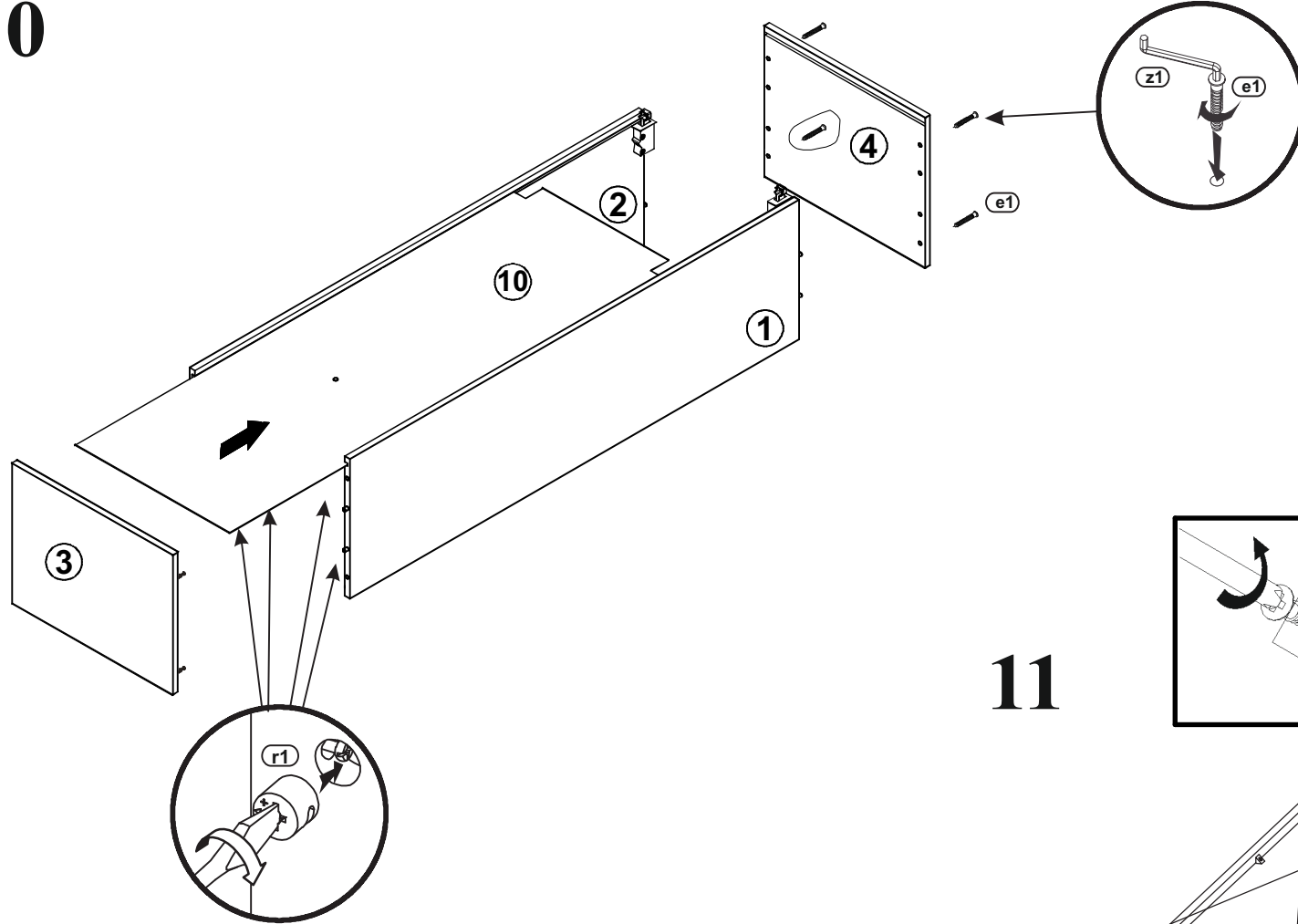
A	B	C (mm)		D
1	N20-107	1068	337	3/5
2	N20-108	1068	337	3/5
3	N20-204	380	337	3/5
4	N20-205	380	337	3/5
5	N25-504	346	292	3/5
6	N20-303	347	312	3/5
7	N20-504	556	374	3/5
8	N20-701	375	156	3/5
9	N20-702	375	442	3/5
10	N20-904	1078	357	3/5



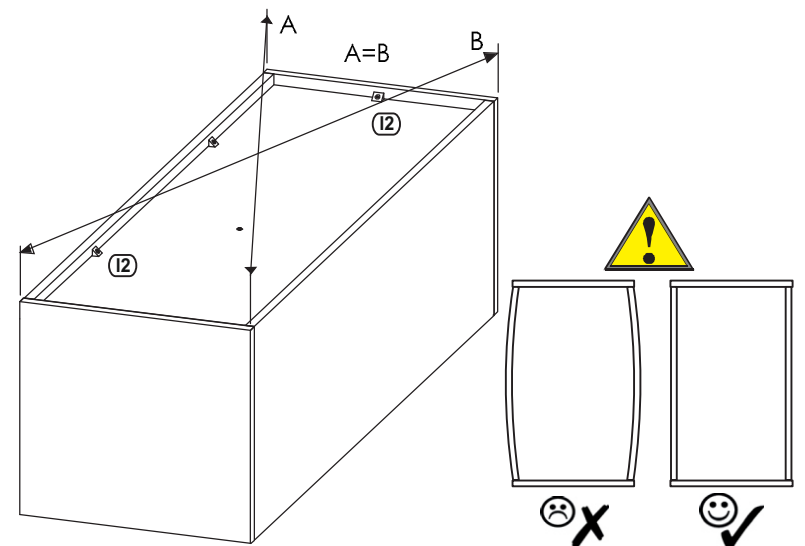
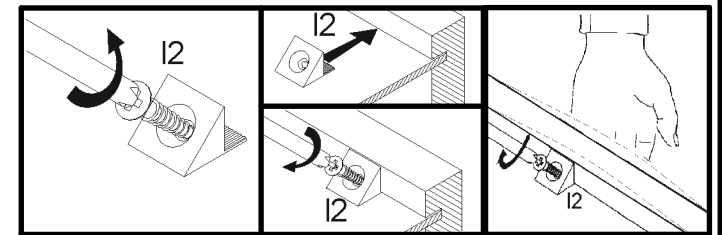
9



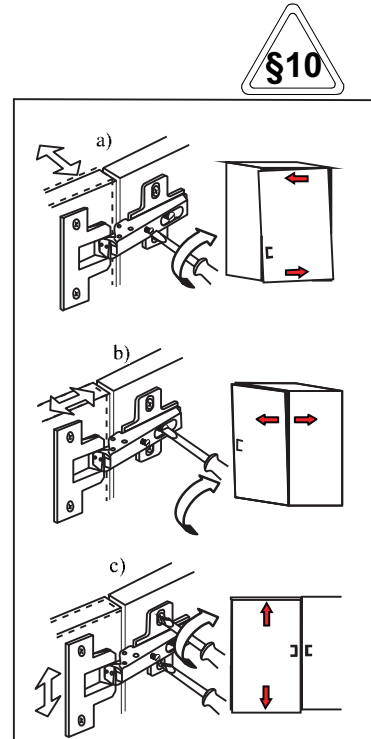
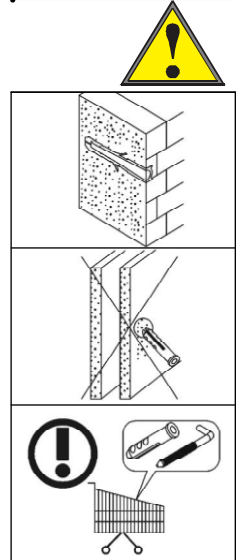
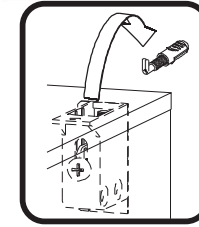
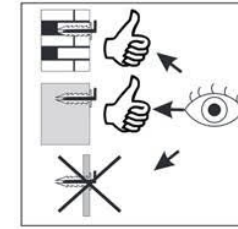
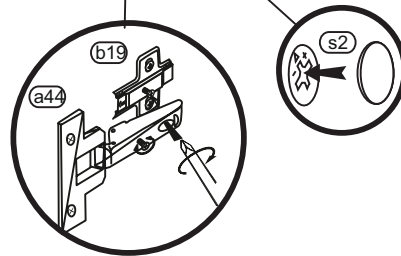
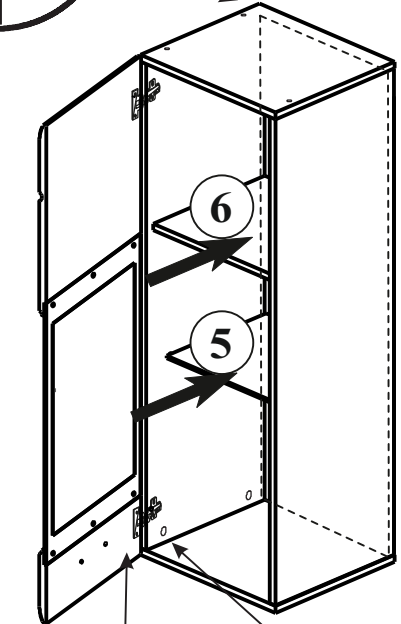
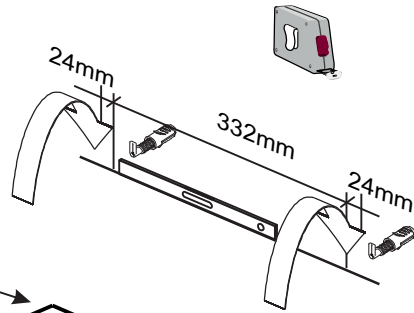
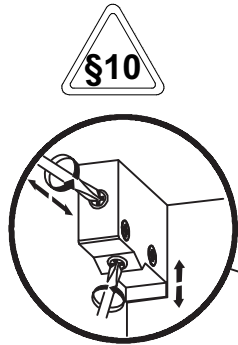
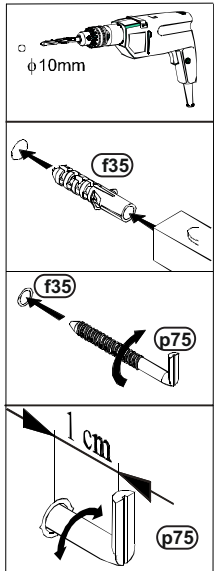
10

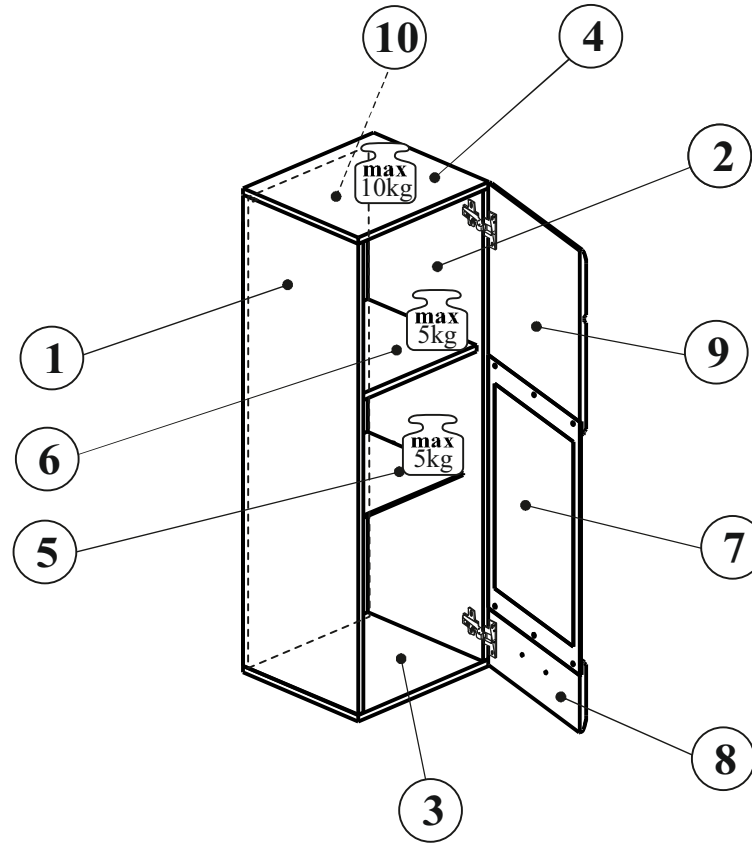
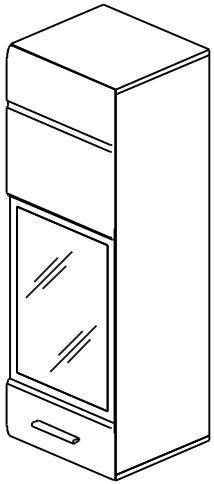


11



12 §4

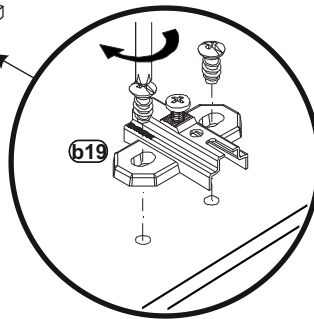
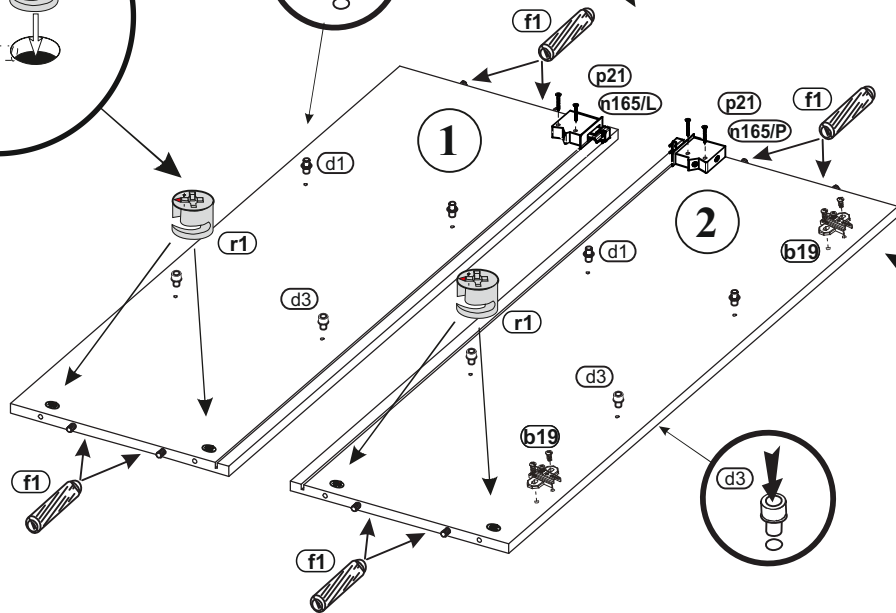
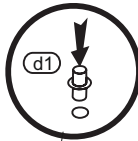
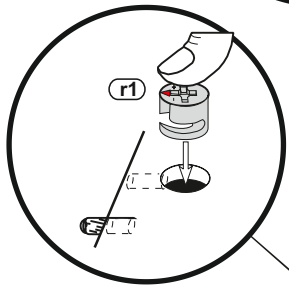
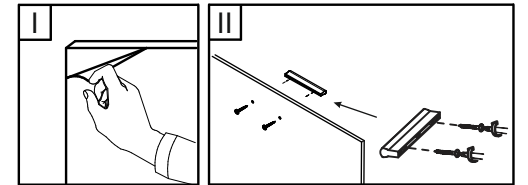
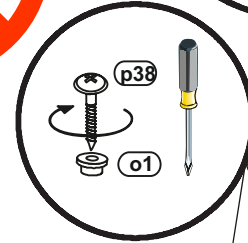
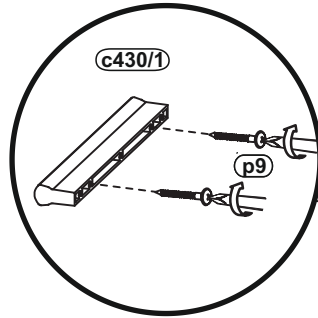
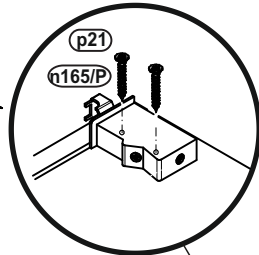
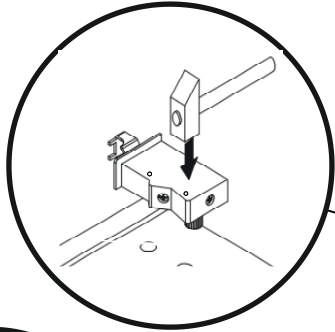
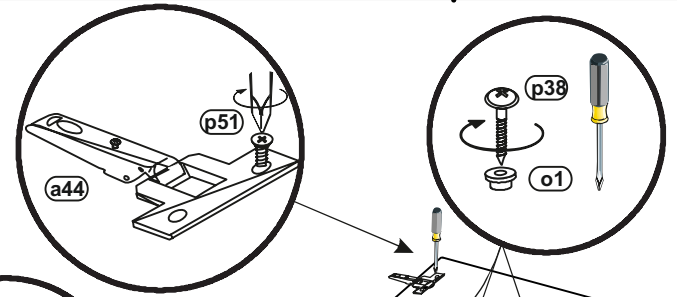
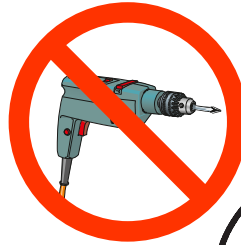
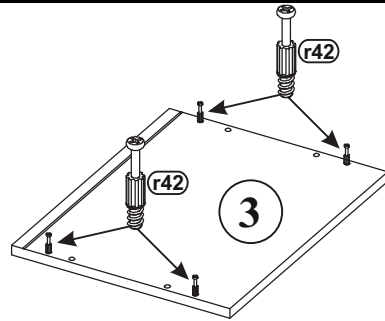




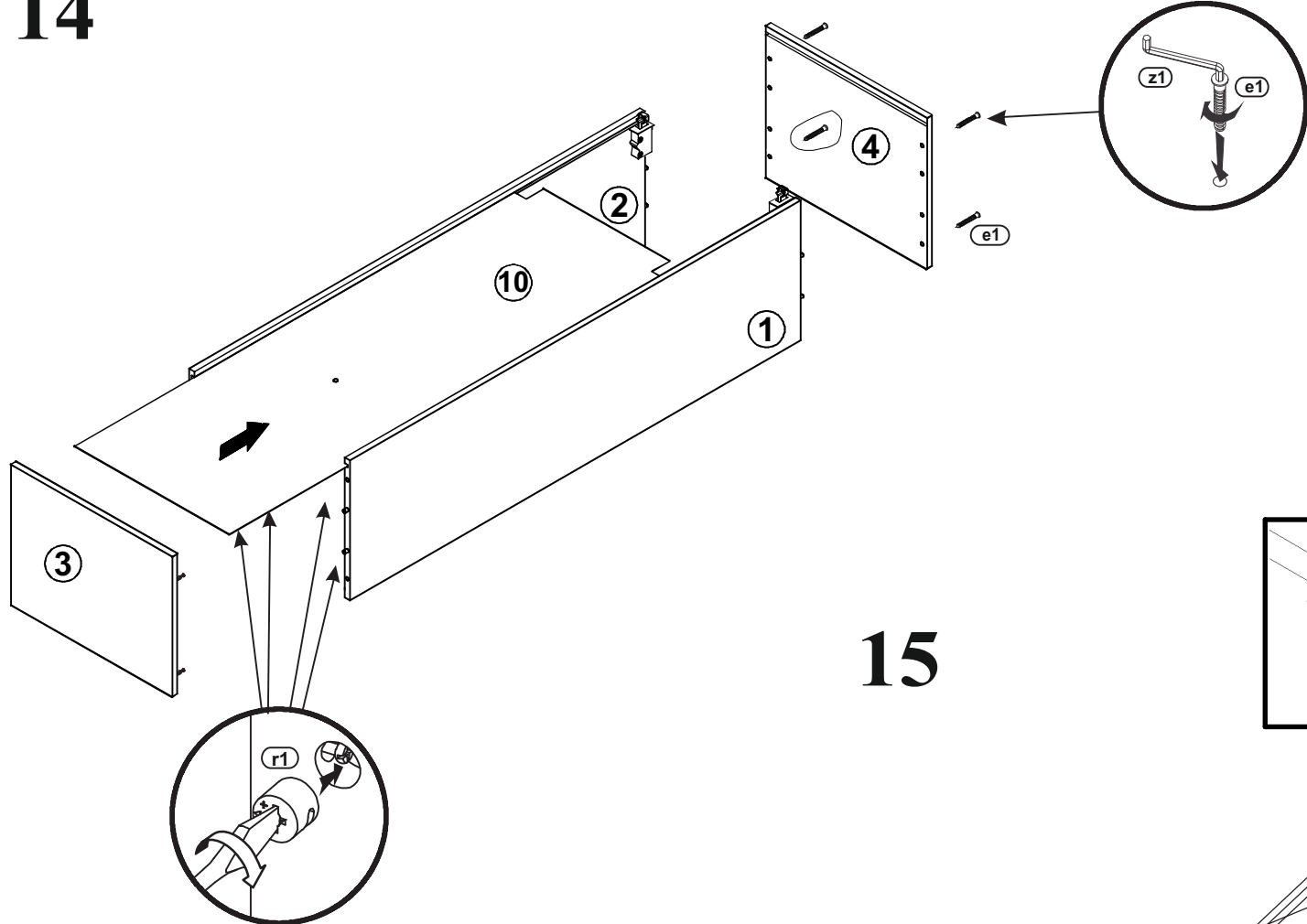
A	B	C (mm)		D
1	N20-110	1068	337	4/5
2	N20-109	1068	337	4/5
3	N20-204	380	337	4/5
4	N20-205	380	337	4/5
5	N25-504	346	292	4/5
6	N20-303	347	312	4/5
7	N20-504	556	374	4/5
8	N20-704	375	156	4/5
9	N20-703	375	442	4/5
10	N20-904	1078	357	4/5



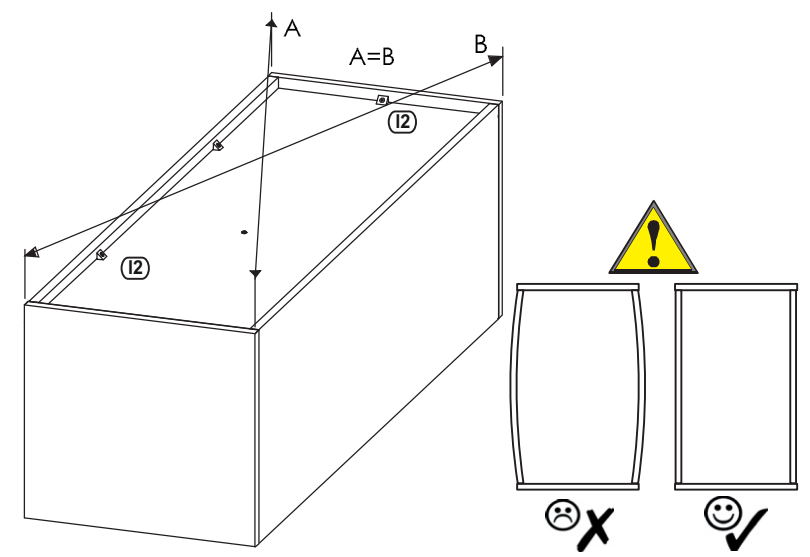
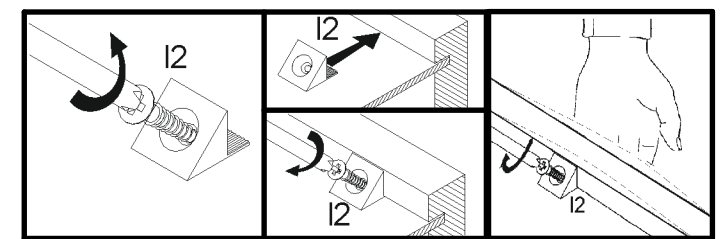
13



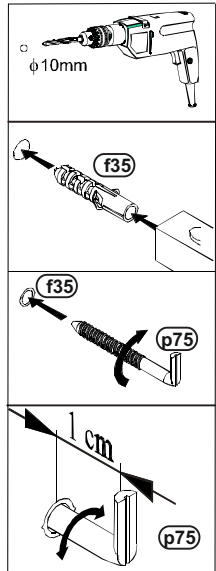
14



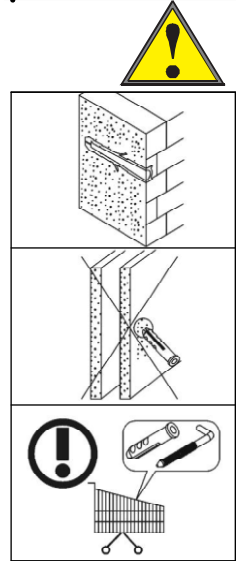
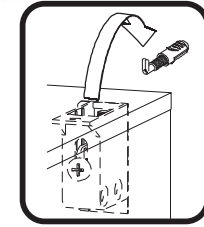
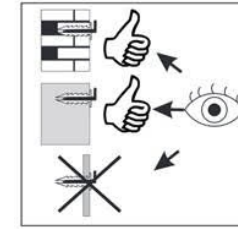
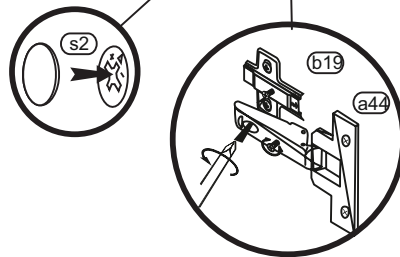
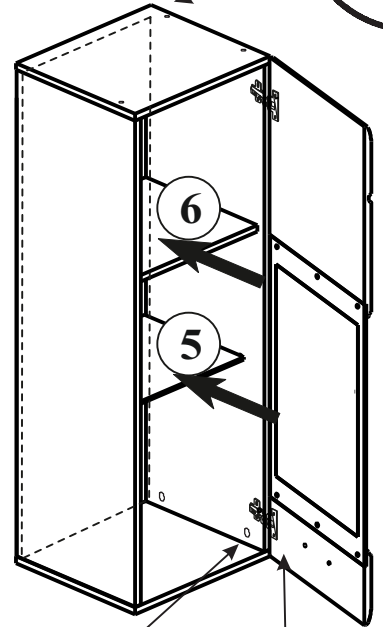
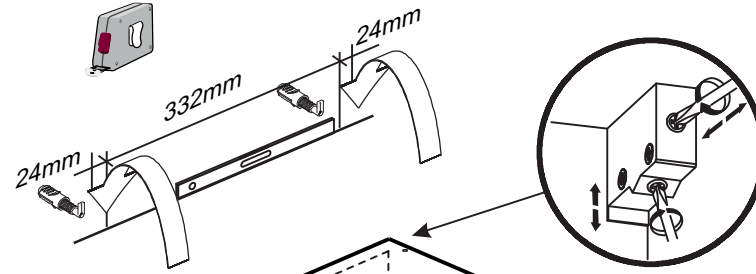
15



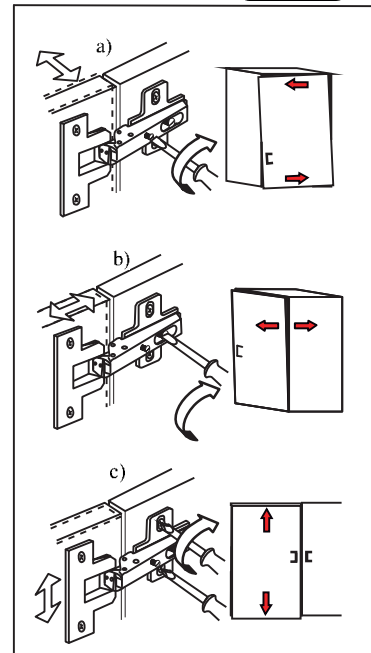
16 §4

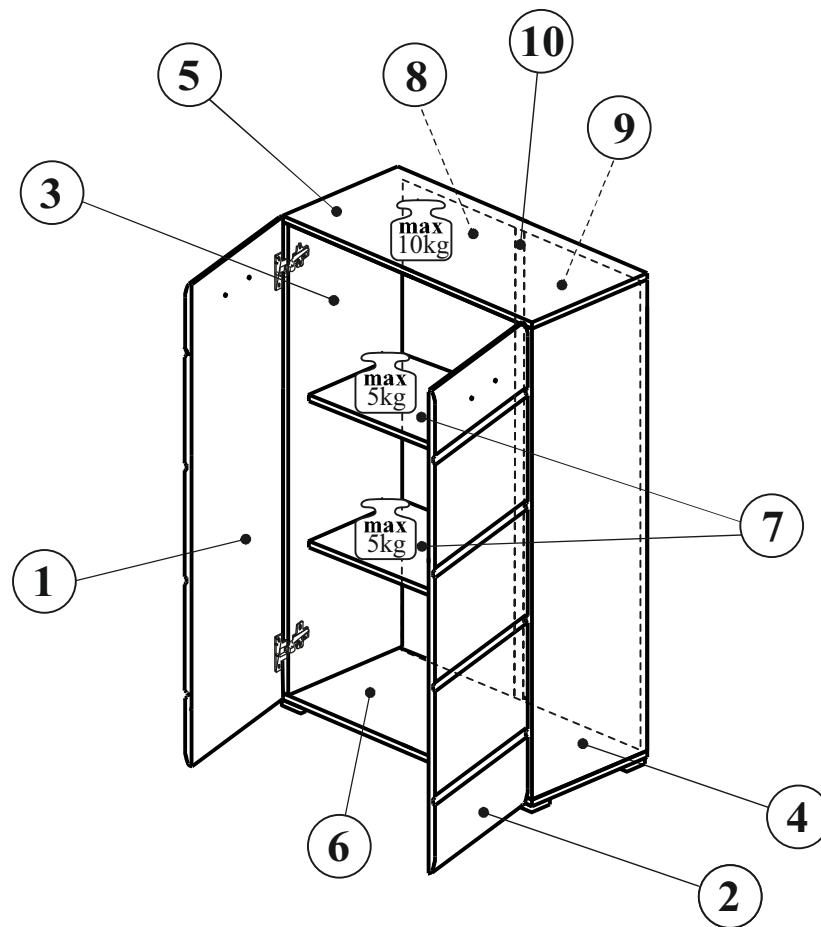
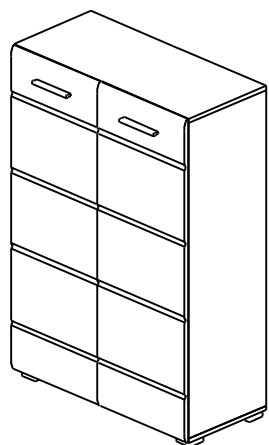


§10



§10

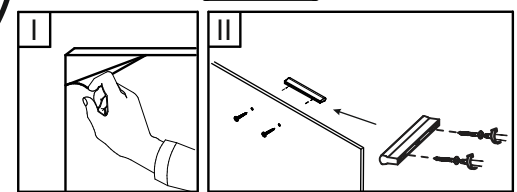
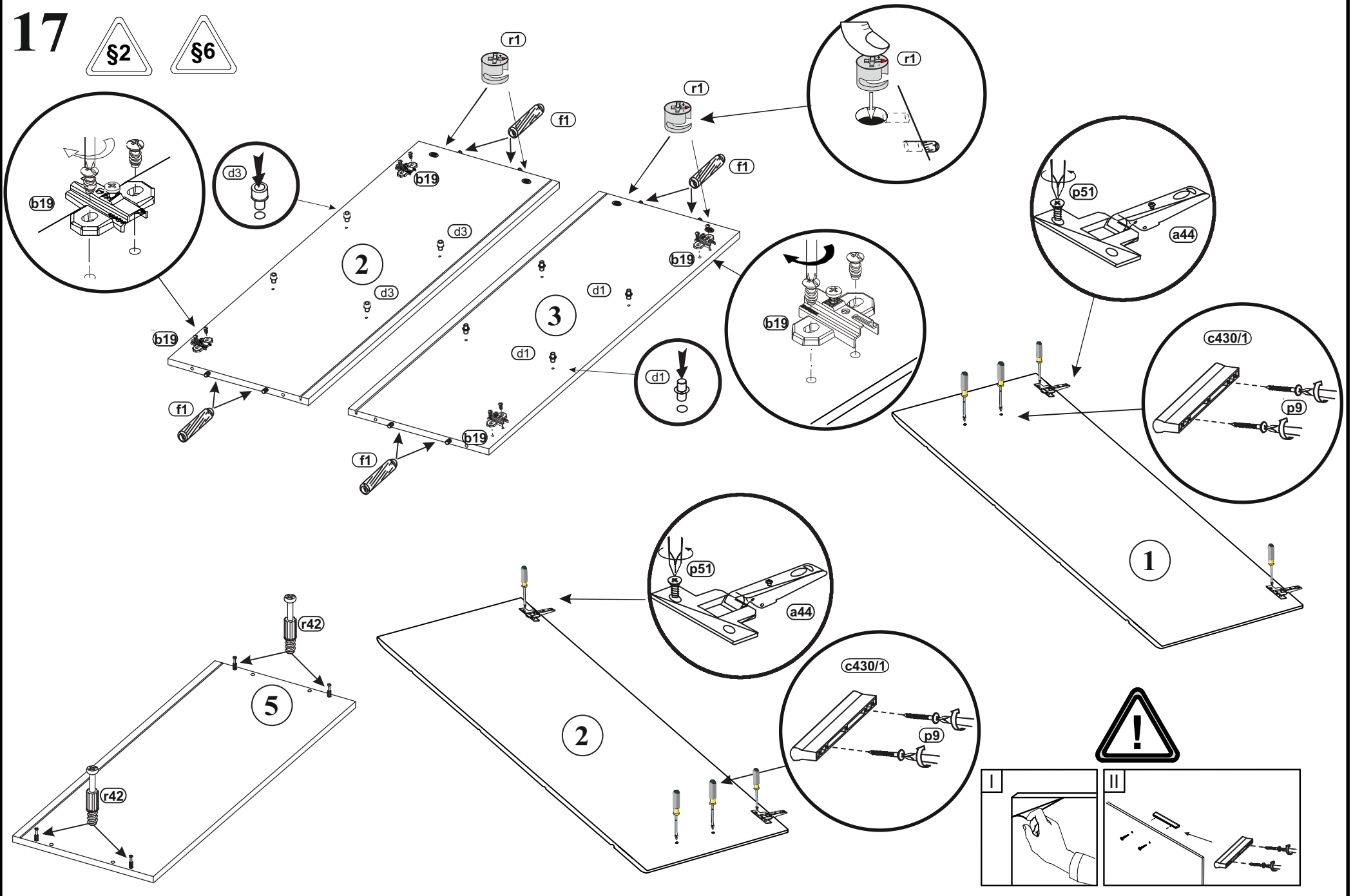


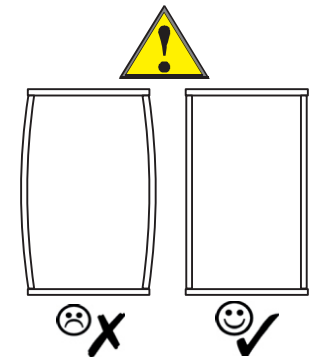
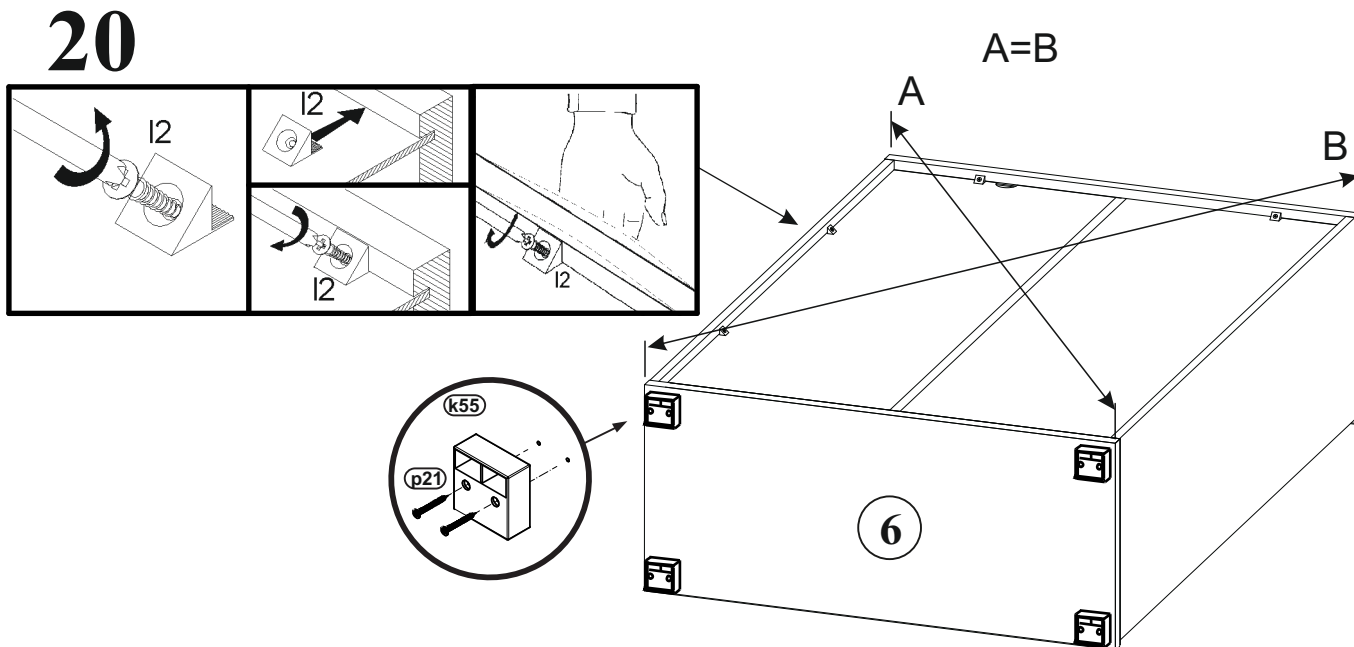
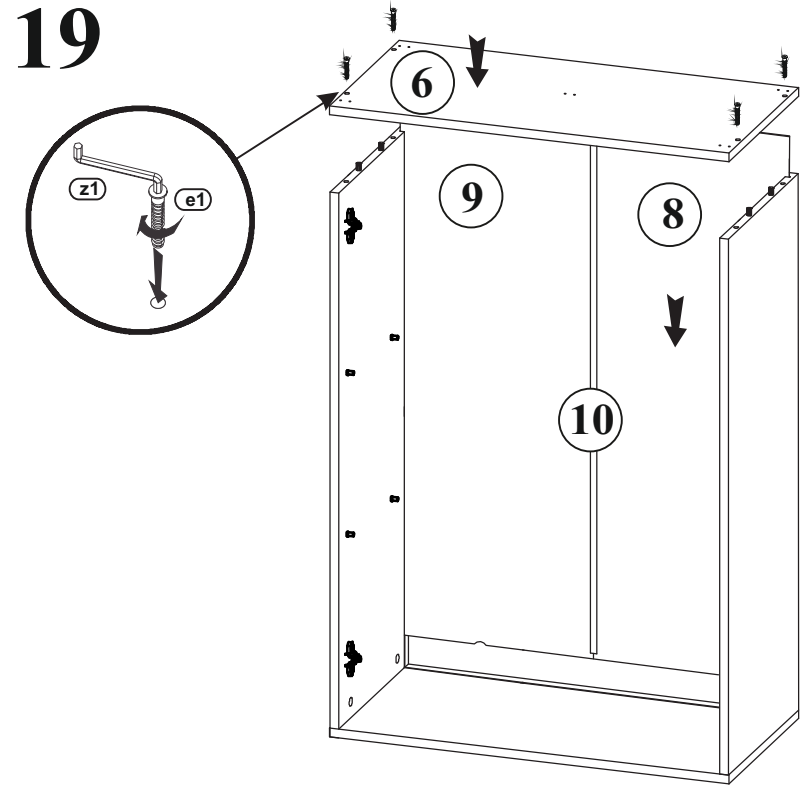
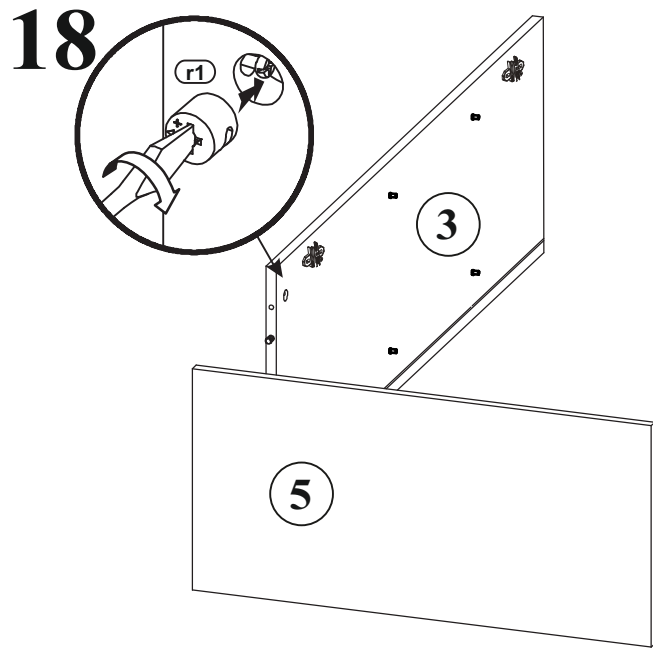


A	B	C (mm)		D
1	N37-001	1094	373	2/5
2	N37-002	1094	373	2/5
3	N37-101	1068	337	2/5
4	N37-107	1068	337	2/5
5	N37-201	756	337	2/5
6	N37-202	756	337	2/5
7	N37-301	723	312	2/5
8	N37-901	1078	366	2/5
9	N25-905	1078	366	2/5
10	Lh-1060	1060	14	2/5

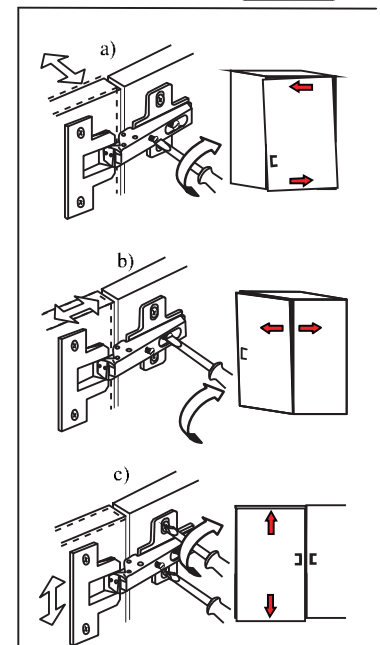
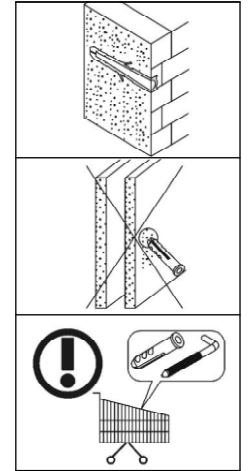
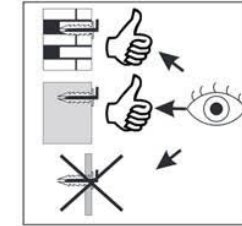
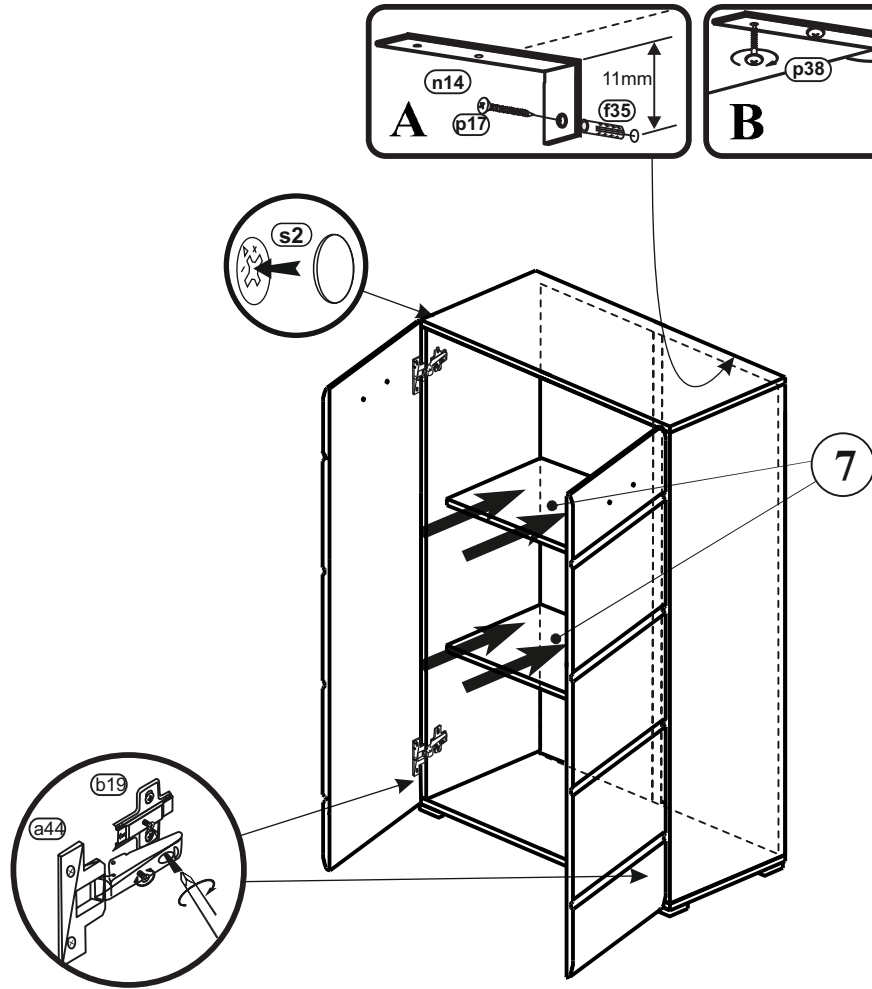


17





21



22

§2

23

§6

§1

A	B	C (mm)		D
1	N20-304	650	219	5/5
2	N37-503	1100	250	5/5

24

! (Warning symbol)

§4

§10

25

