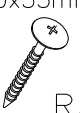
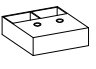
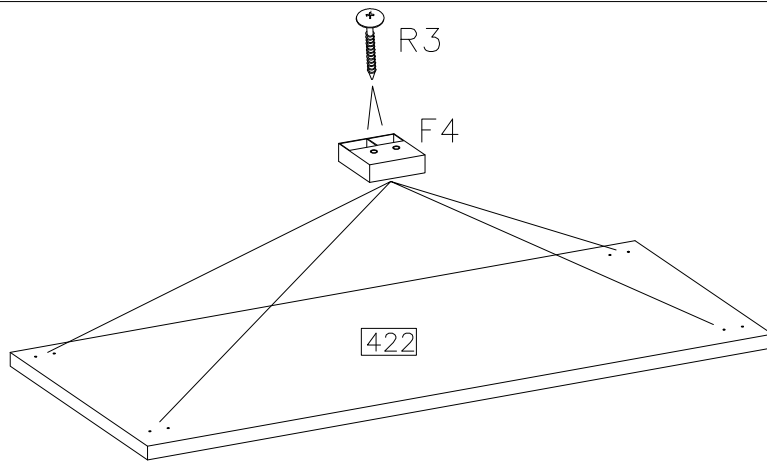



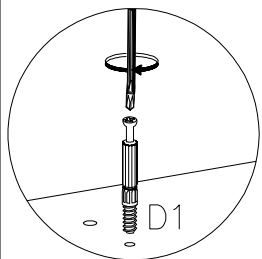
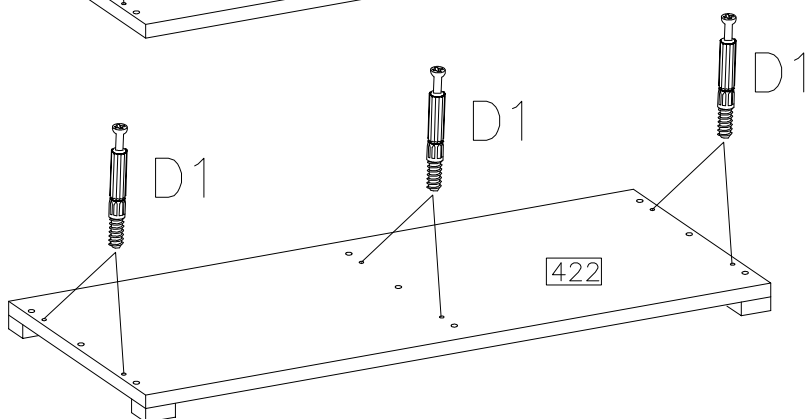
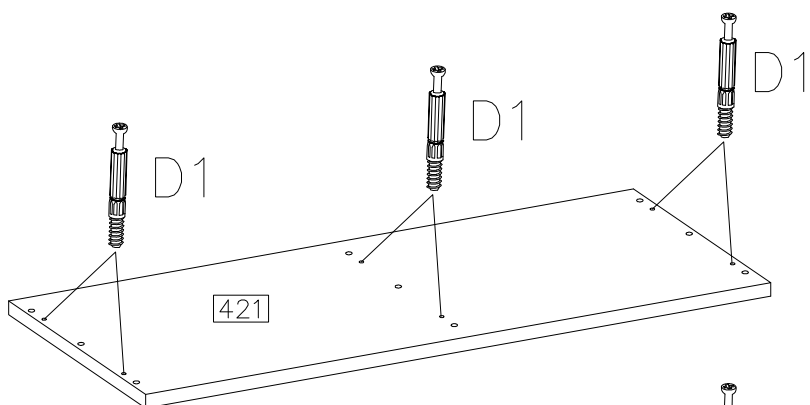
1

4.0x35mm		
	R3	F4
	8	4

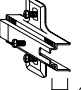
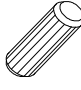




2

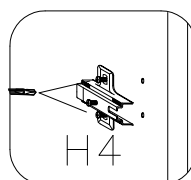
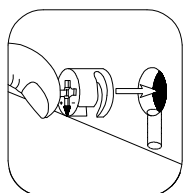
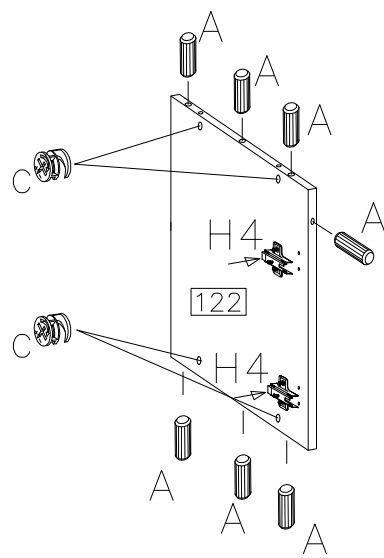
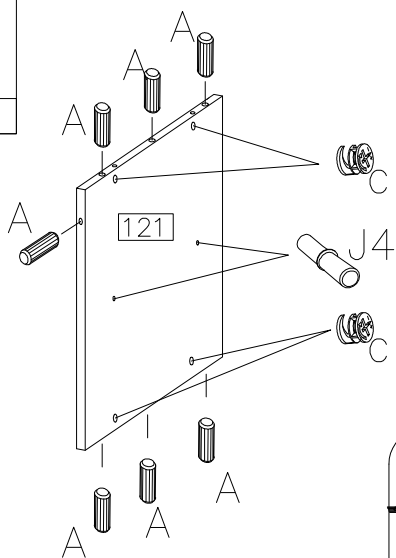
	D1
	12




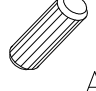

3

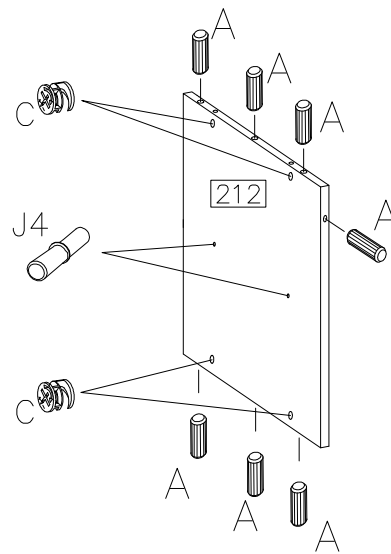
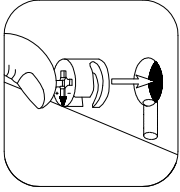
H=0	ø8x30mm	ø15/12mm
		
H4	A	C
	2	14
		8

	J4
	2

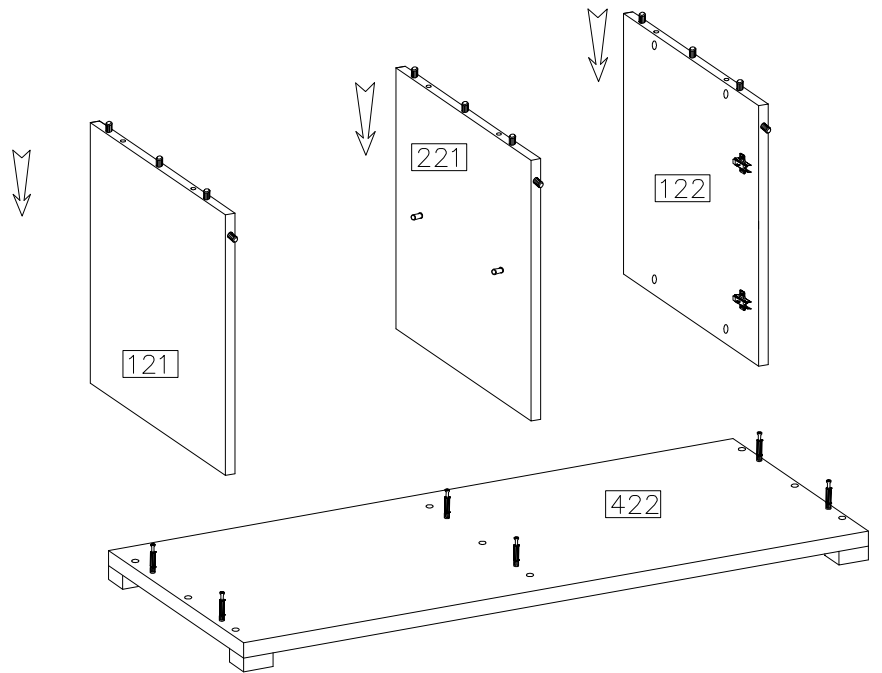
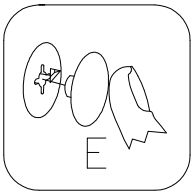
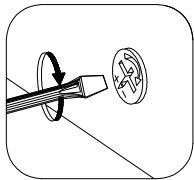
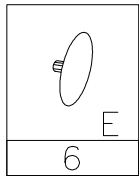


4

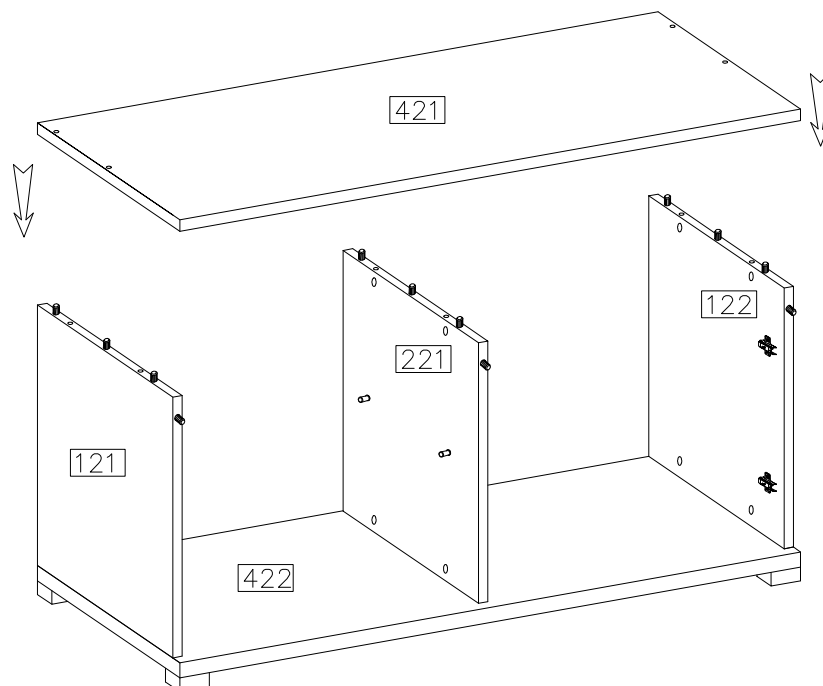
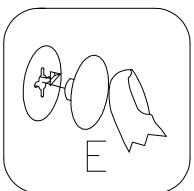
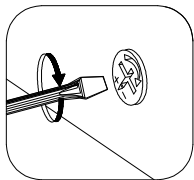
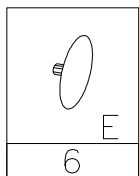
$\varnothing 15/12\text{mm}$ 	$\varnothing 8 \times 30\text{mm}$ 	
C 4	A 7	J4 2



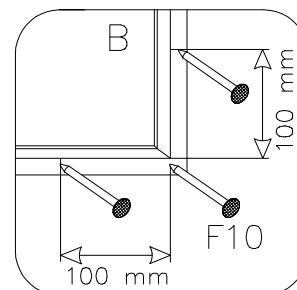
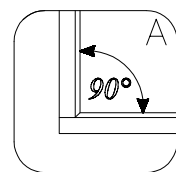
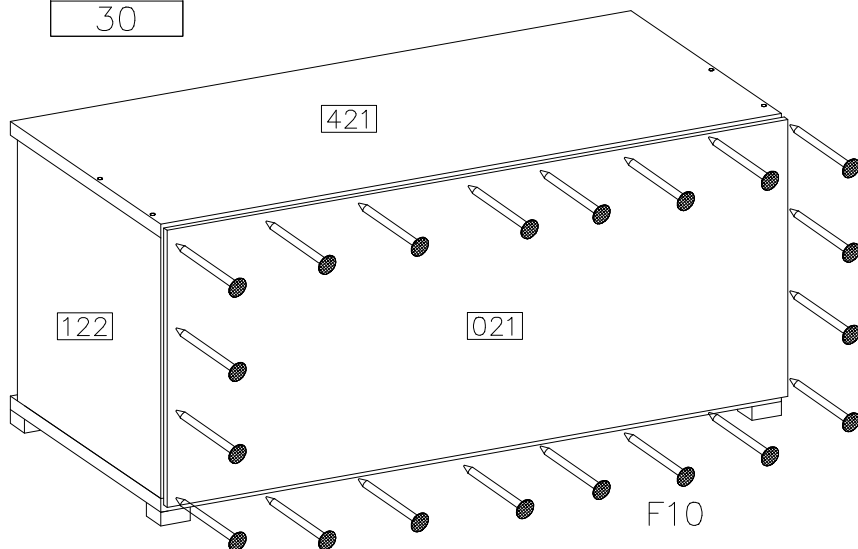
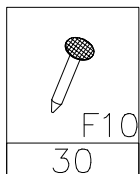
5



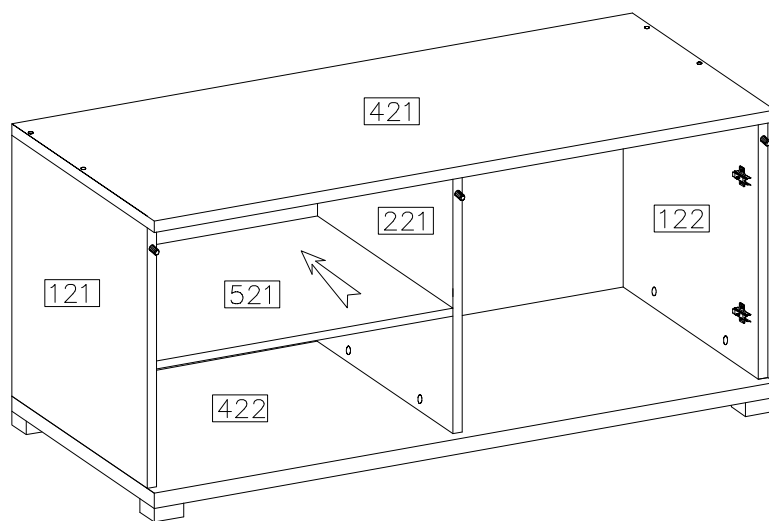
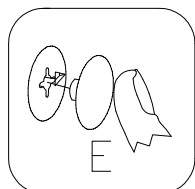
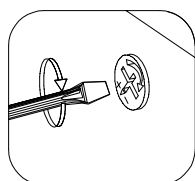
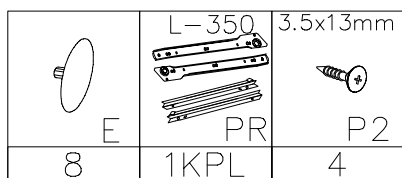
6



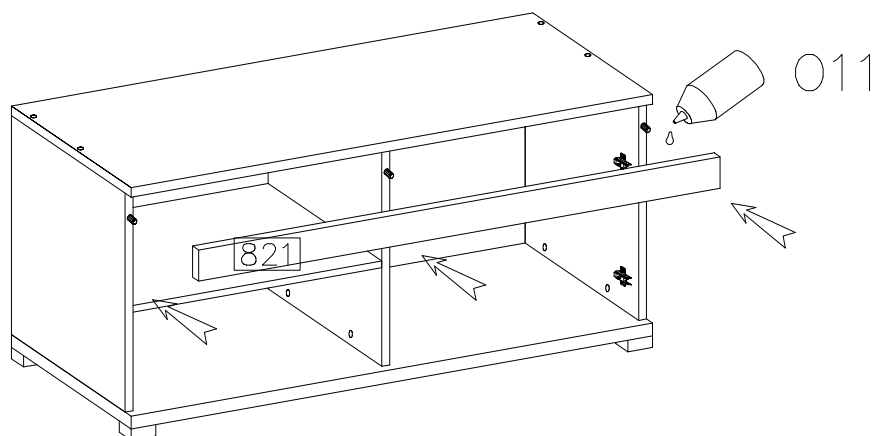
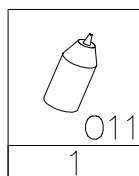
7



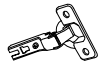



8

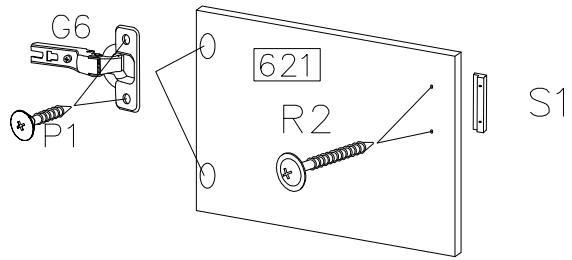


9

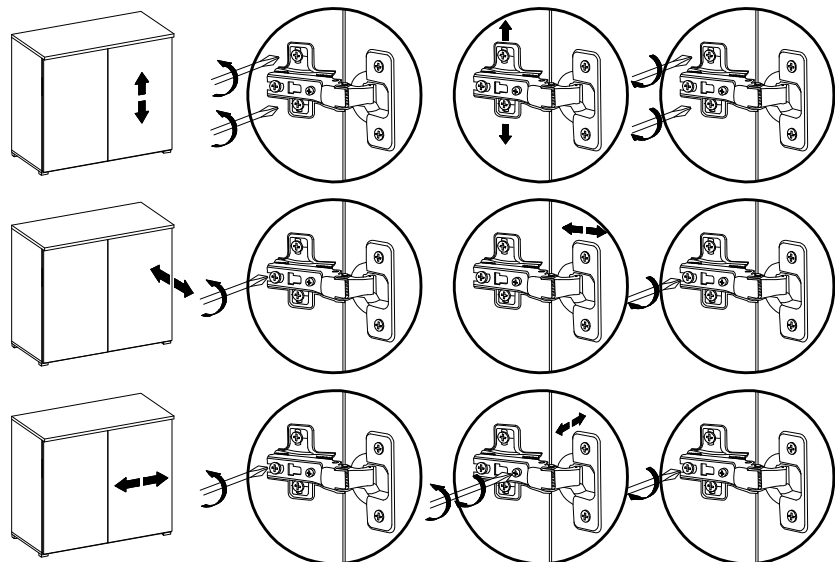
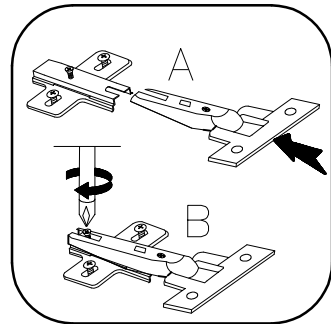
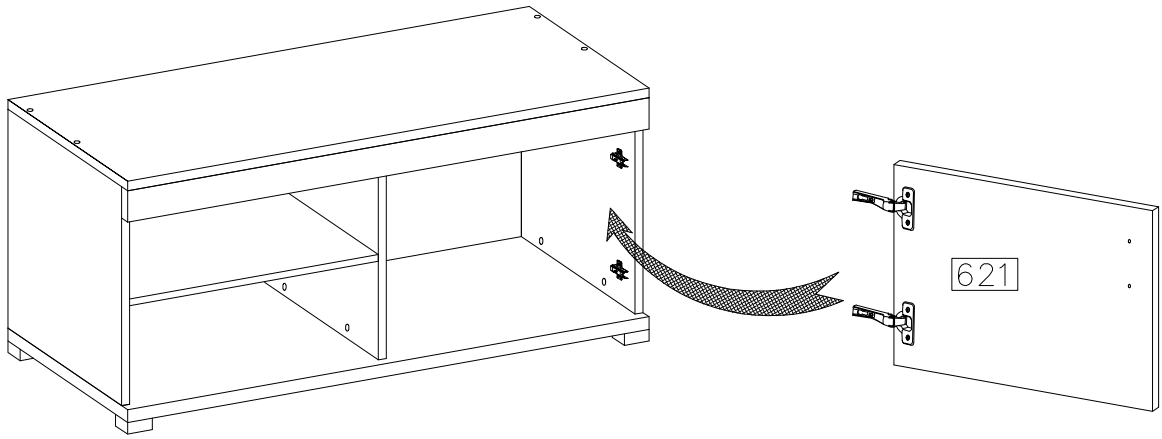


10

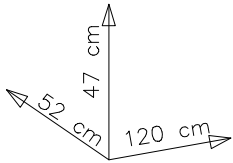
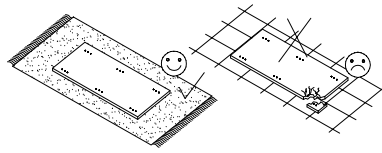
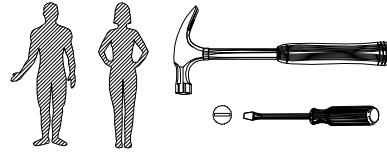
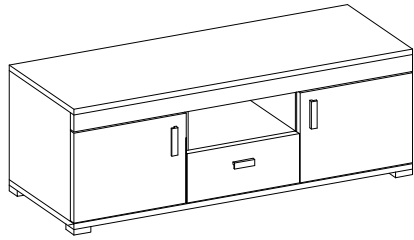
∅35/KR-0	∅4.0x16mm		4.0x27mm
			
G6	P1	S1	R2
2	4	1	2



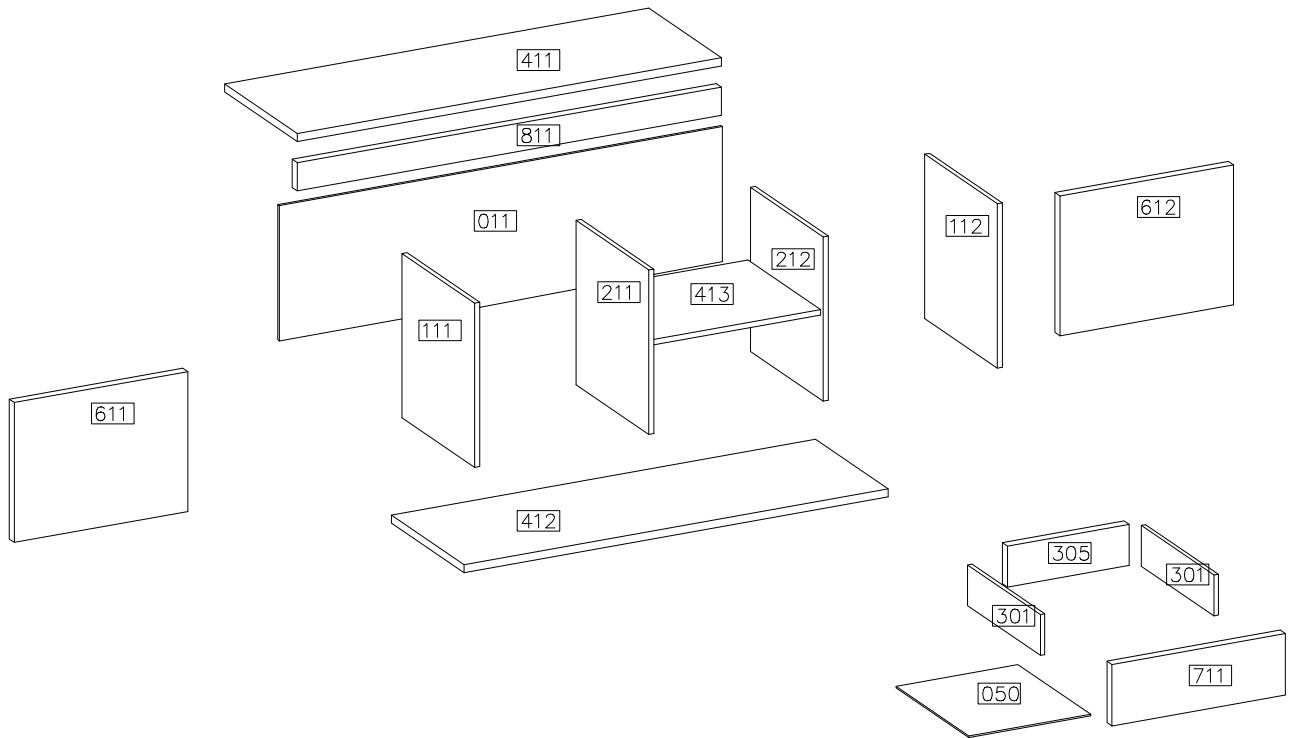
11



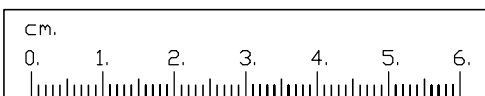
NELLY-DOŁEK RTV



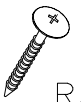
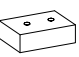
#	ART. NR	QUANTITY
1	411	1
2	412	1
3	413	1
4	111	1
5	112	1
6	211	1
7	212	1
8	611	1
9	612	1
10	011	1
11	711	1
12	301	2
13	305	1
14	050	1
15	811	1

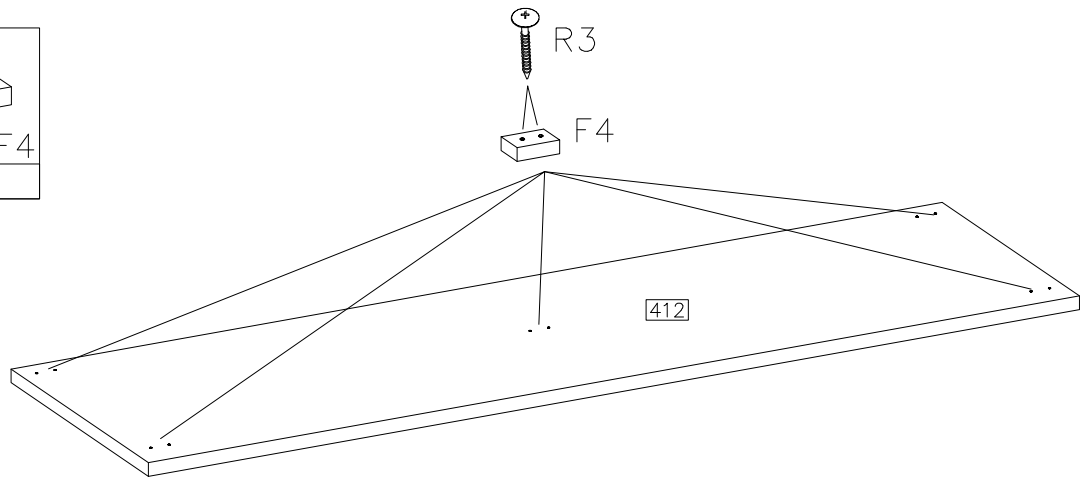


	ø15/12mm		ø8x30mm	H=0	ø35/KR-0	3.5x13mm	ø4.0x16mm		4.0x27mm
D1	C	E	A	H4	G6	P2	P1	S1	R2
20	20	20	42	4	4	4	12	3	6
	4.0x35mm		L-350						
F10	R3	F4	PR	O11					
30	10	5	1KPL	1					




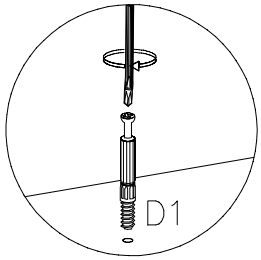
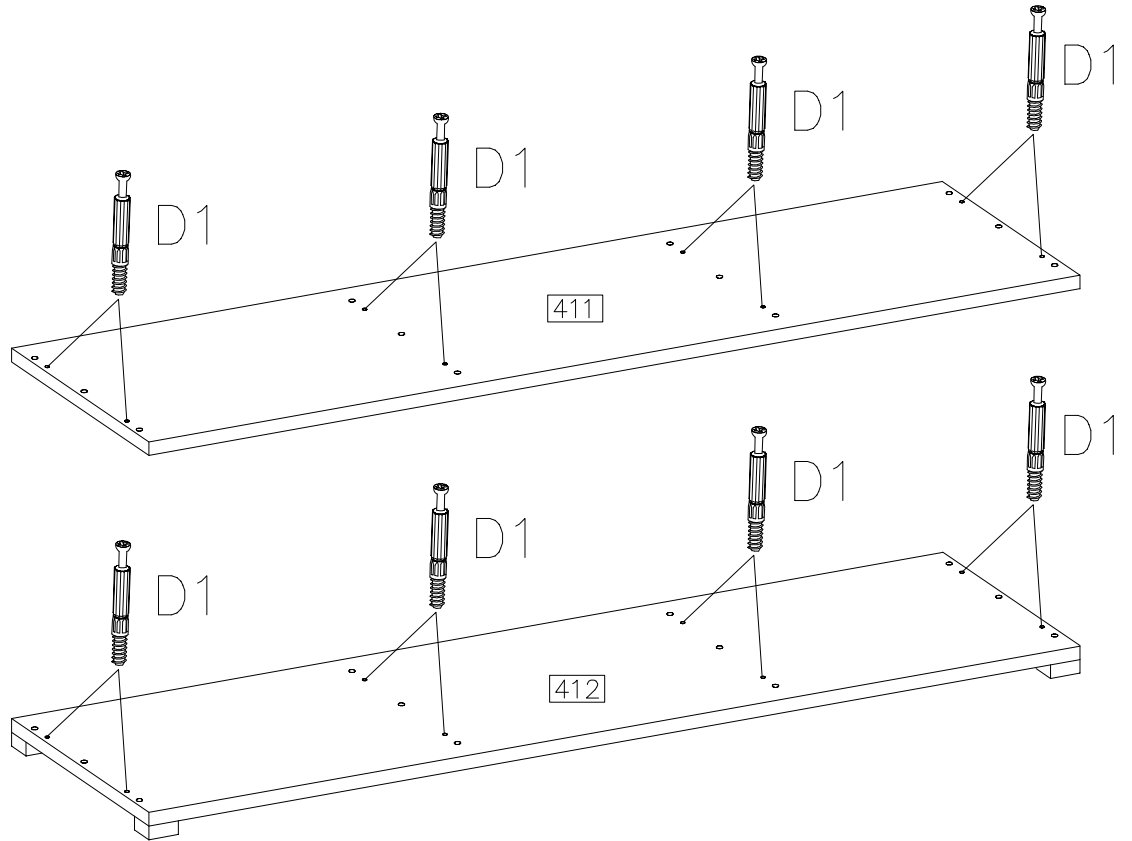
1

4.0x35mm	
	
R3	F4
10	5

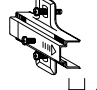
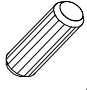



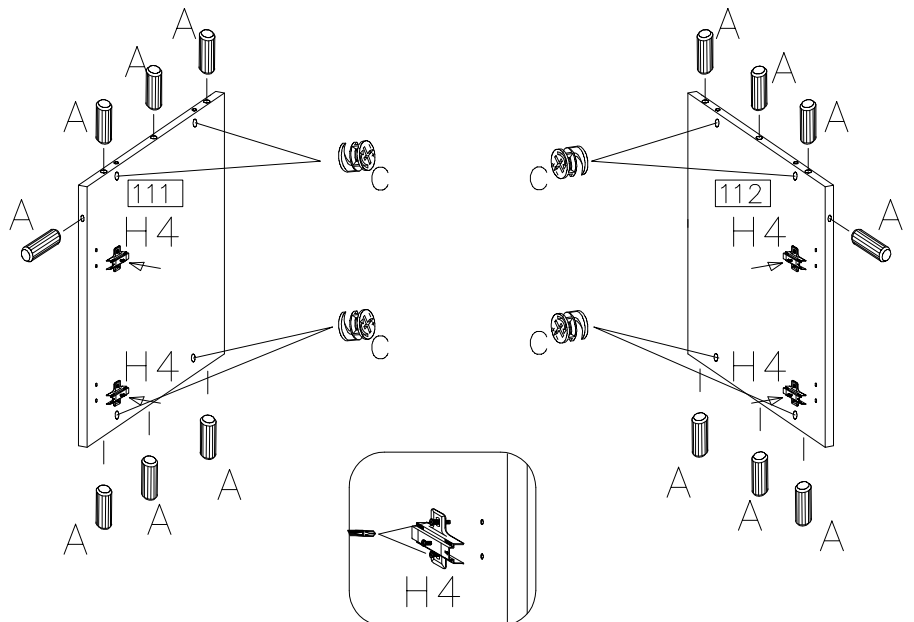
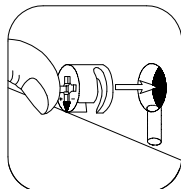
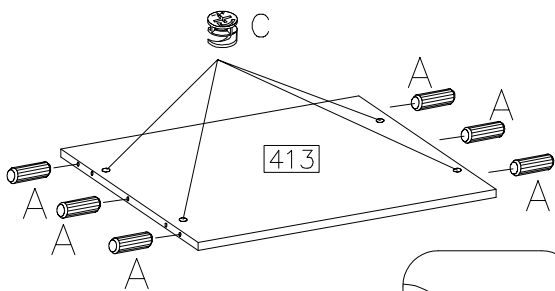
2


D1
16



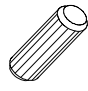


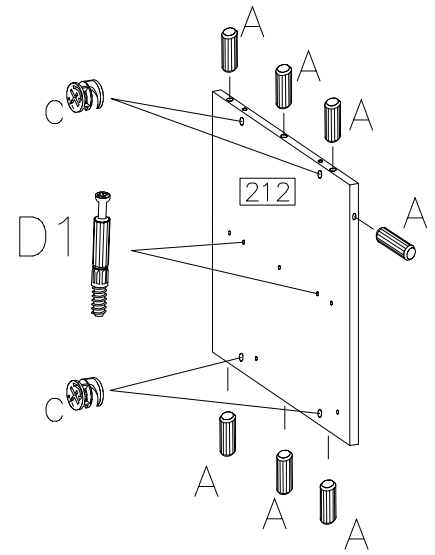
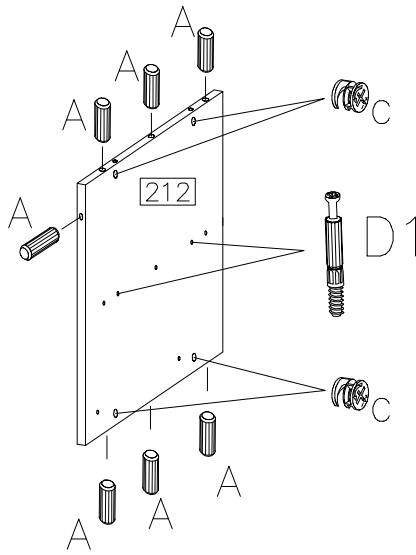
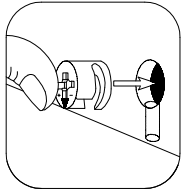
3

H=0	ø8x30mm	ø15/12mm
		
H4	A	C
4	20	12

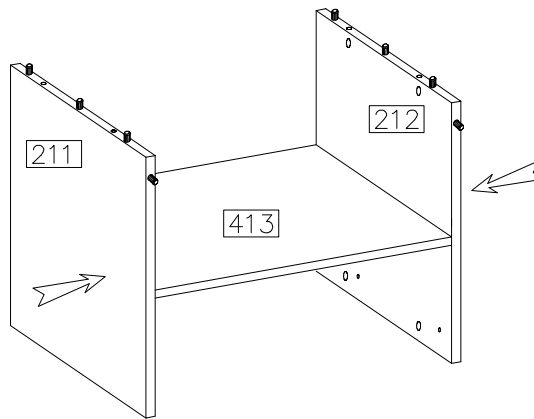
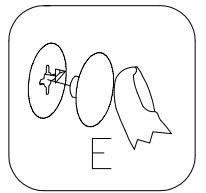
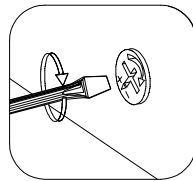
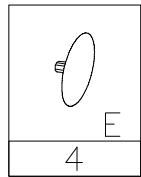


4

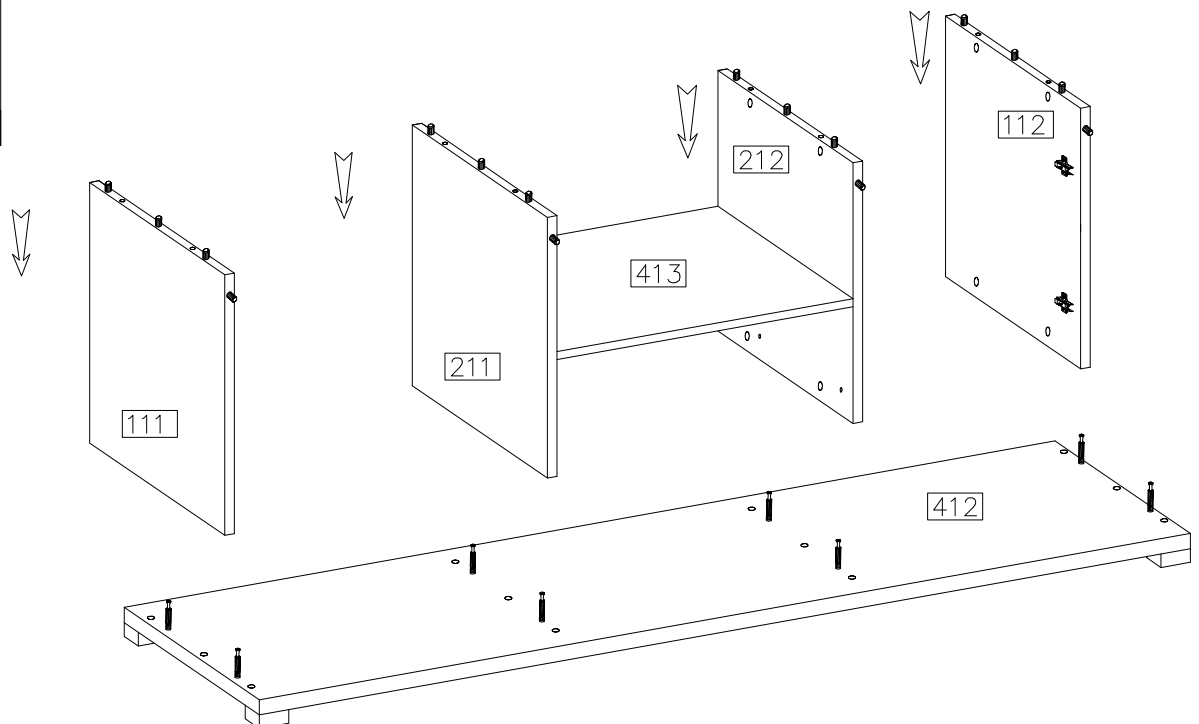
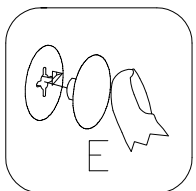
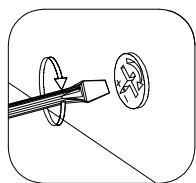
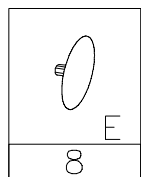
	$\varnothing 15/12\text{mm}$ 	$\varnothing 8 \times 30\text{mm}$ 
D1 4	C 8	A 14




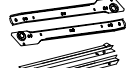

5

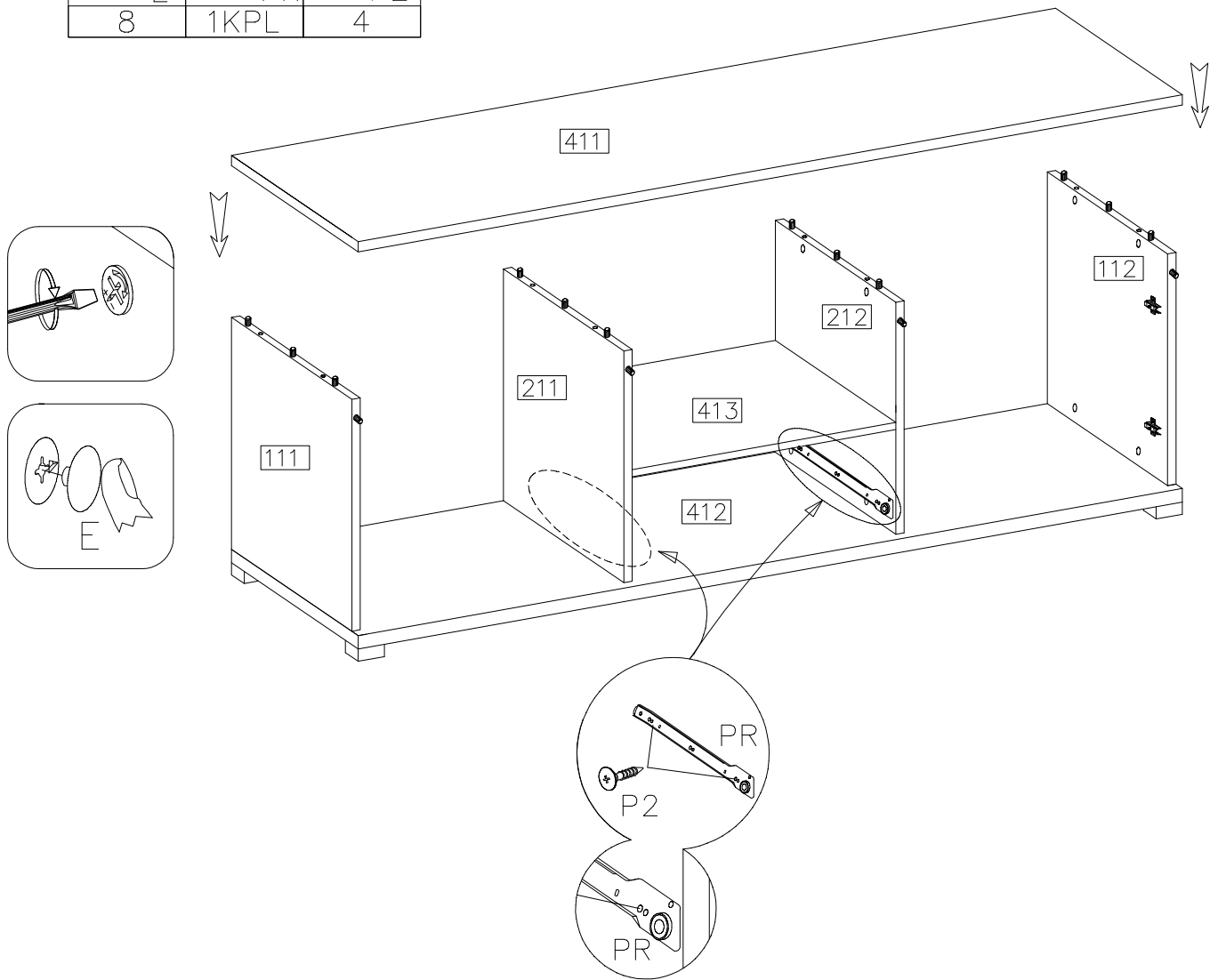


6




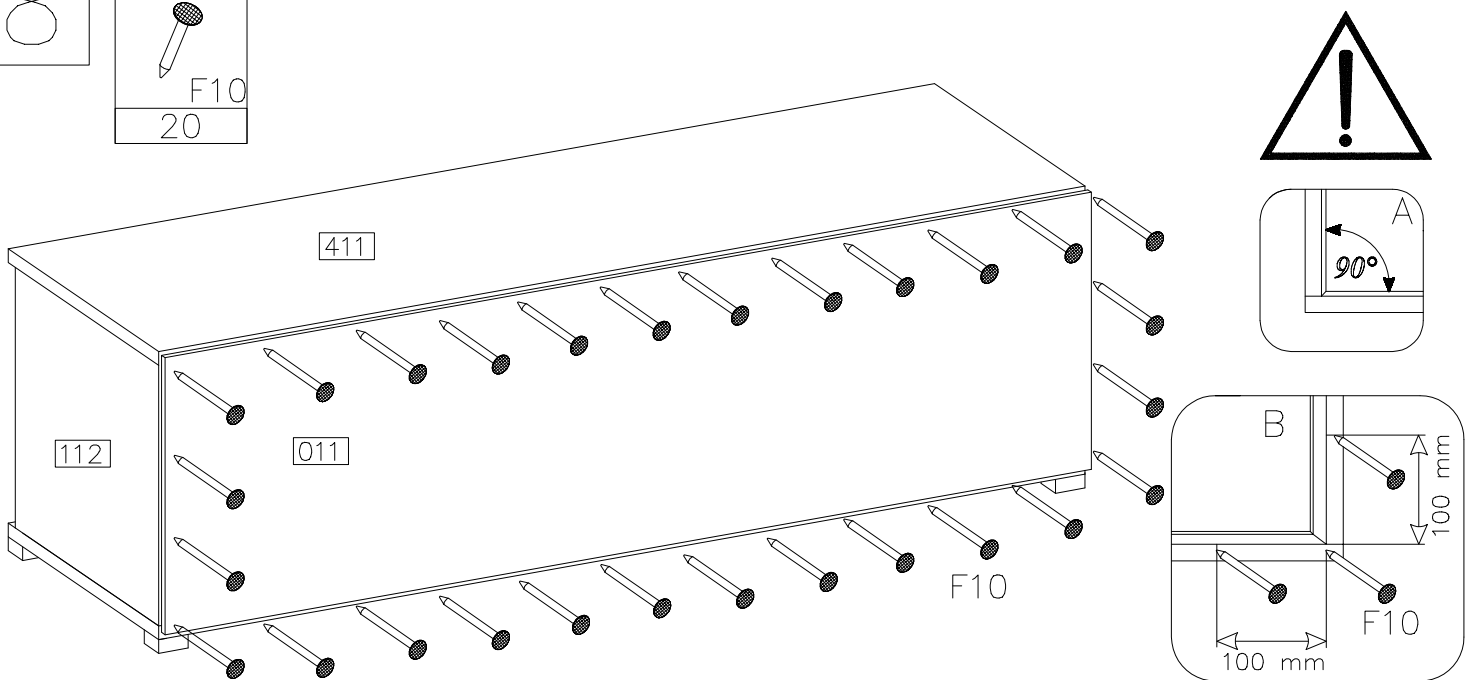
7

	L-350 	3.5x13mm 
E	PR	P2
8	1KPL	4


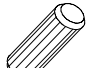


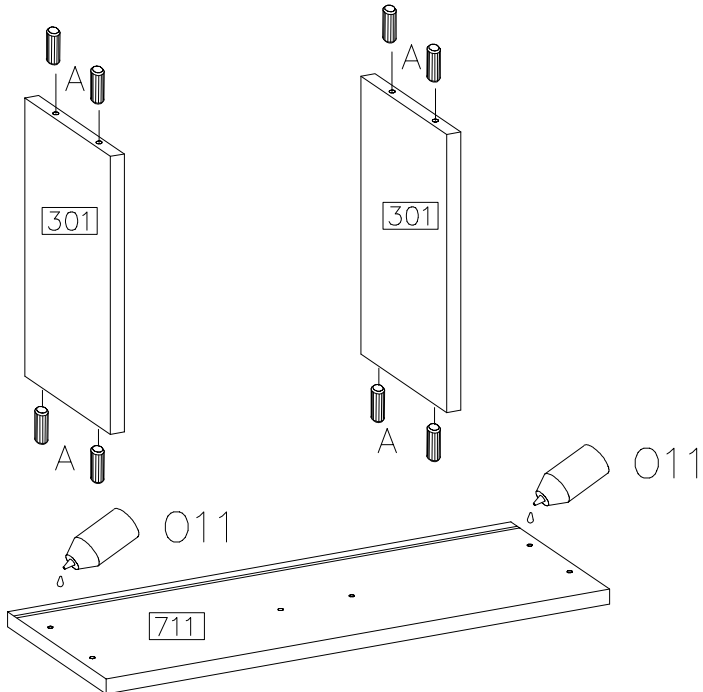
8

	F10
	20





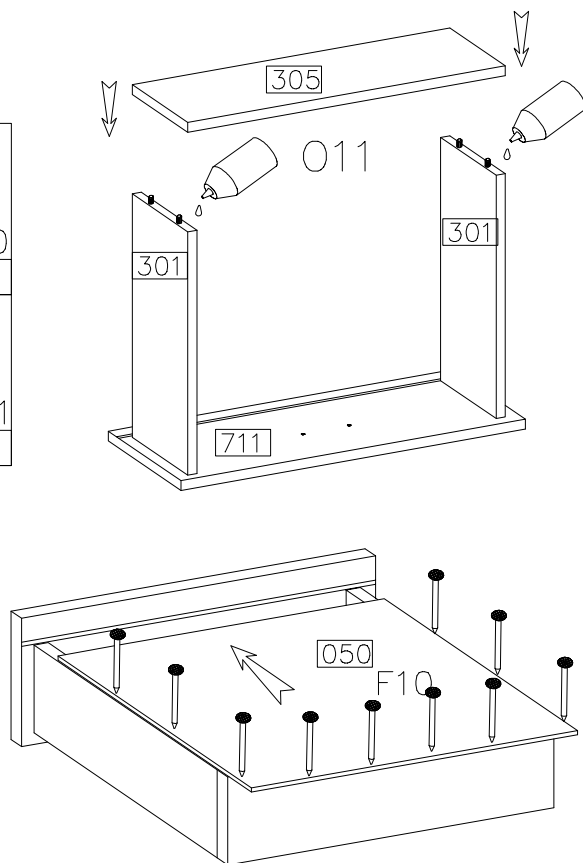
9

	Ø8x30mm 
011	A
1	8

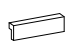



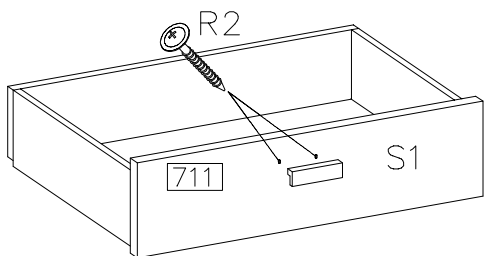
10

	F10
10	
	011
1	





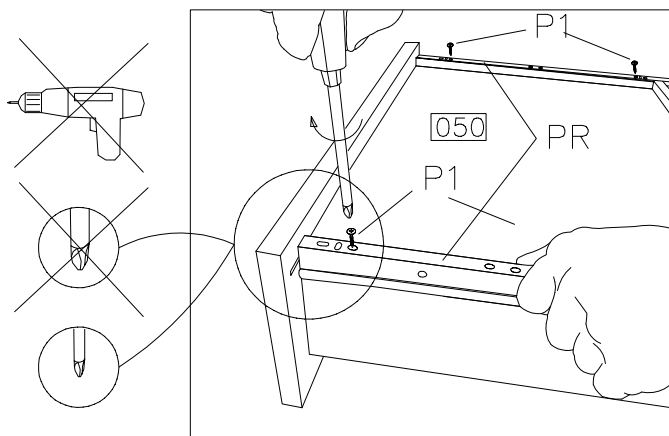
11

	4.0x27mm 
S1	R2
1	2




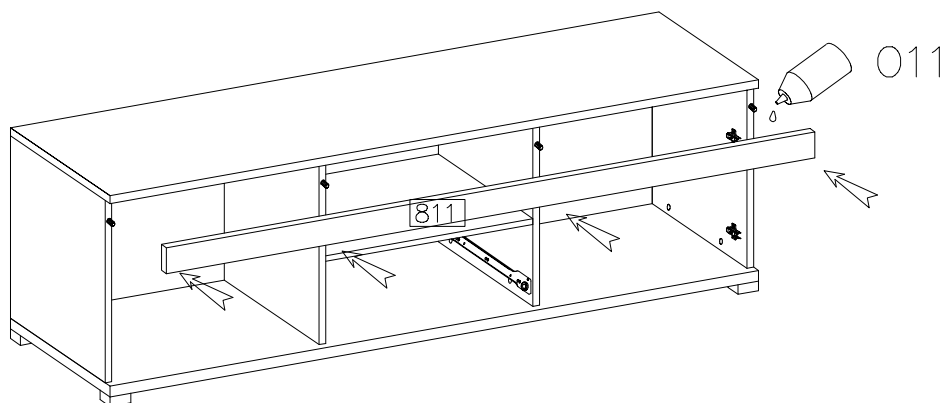
12

L-350 	Ø4.0x16mm 
PR	P1
1KPL	4

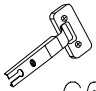





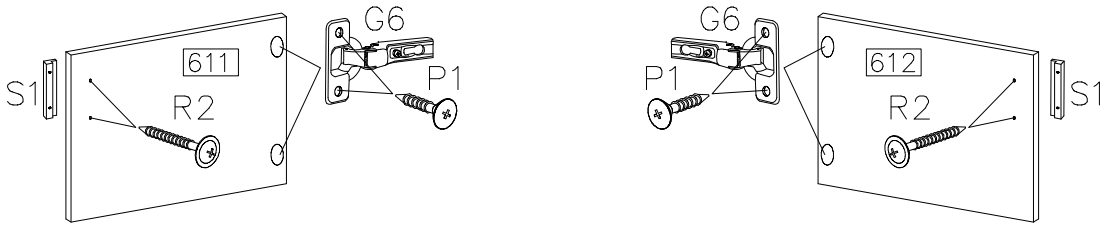
13

	011
1	

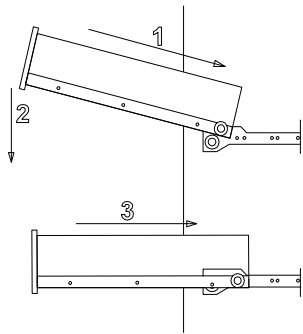
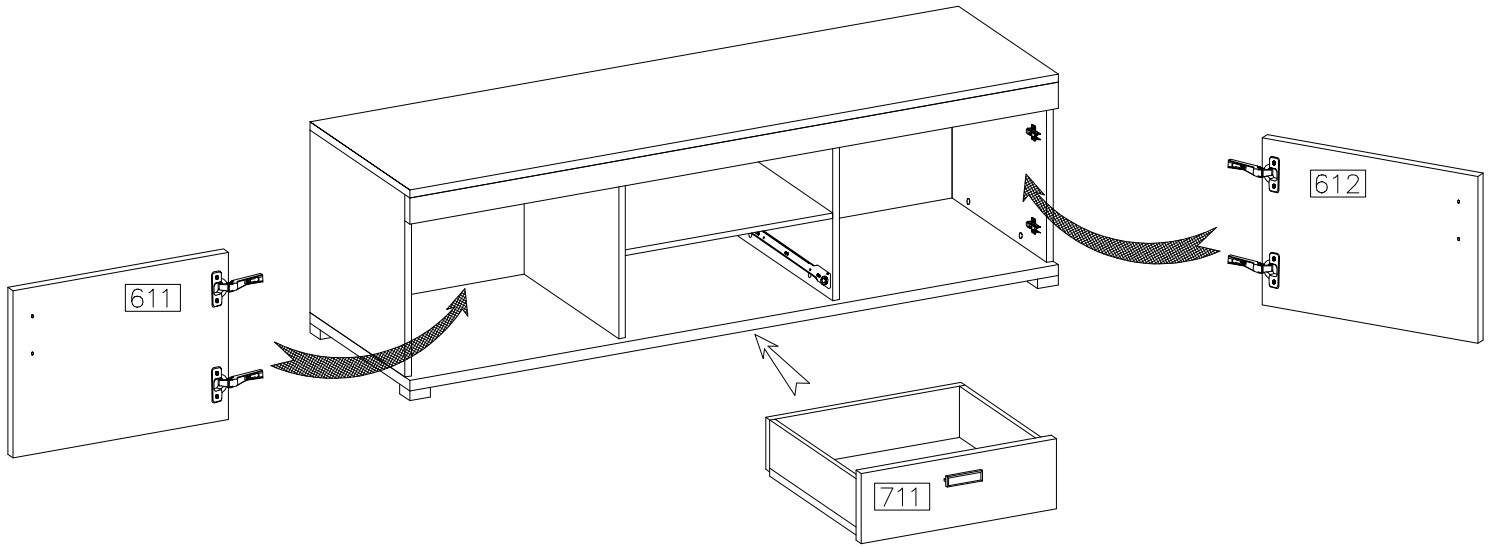


14

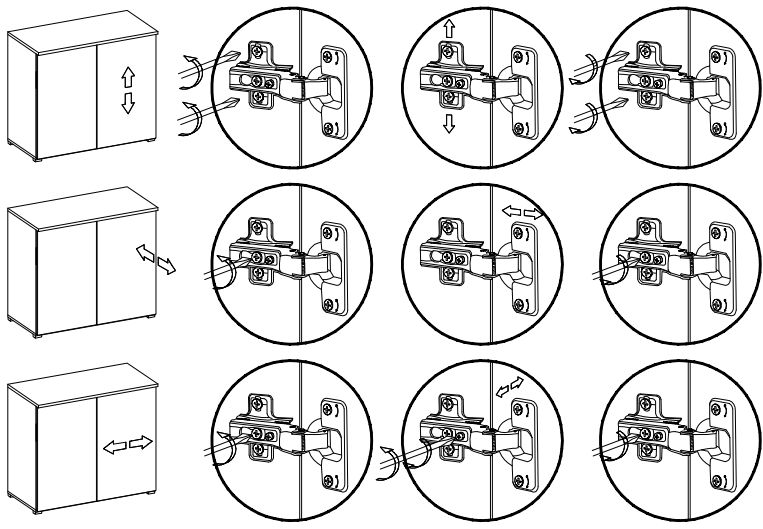
 G6 4	 P1 8	 S1 2	 R2 4
---------------------------------------------------------------------------------------------	---------------------------------------------------------------------------------------------	----------------------------------------------------------------------------------------------	---------------------------------------------------------------------------------------------



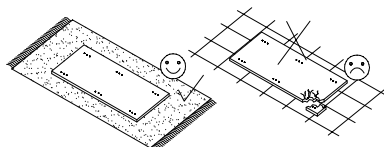
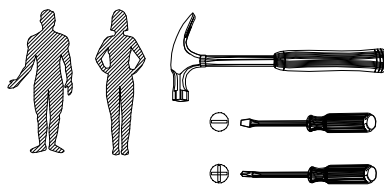
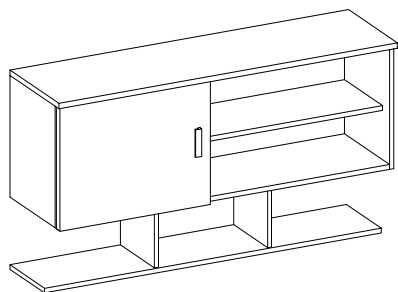
15



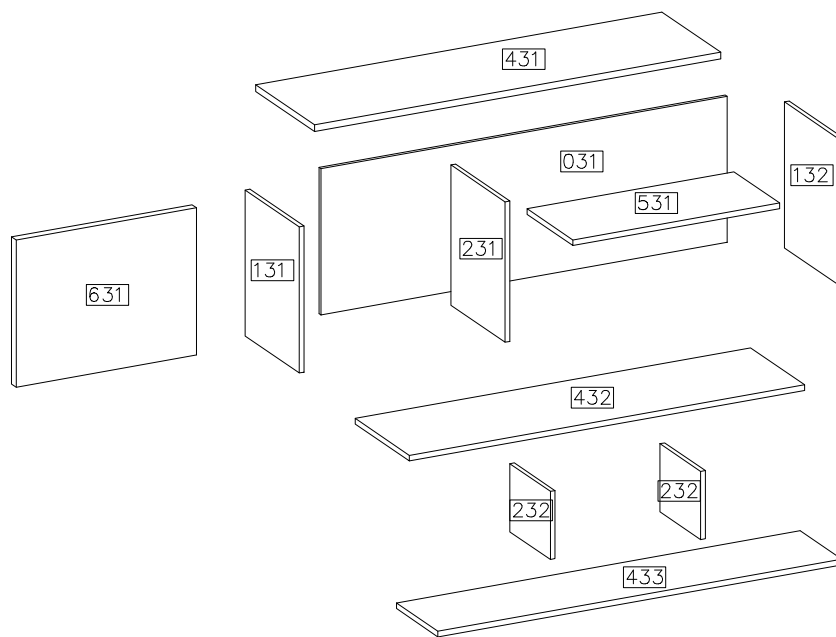
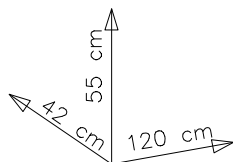
16




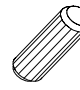
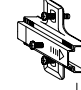
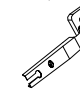
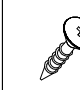
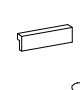





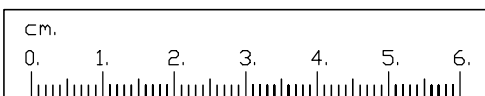
NELLY-NADSTAWKA RTV



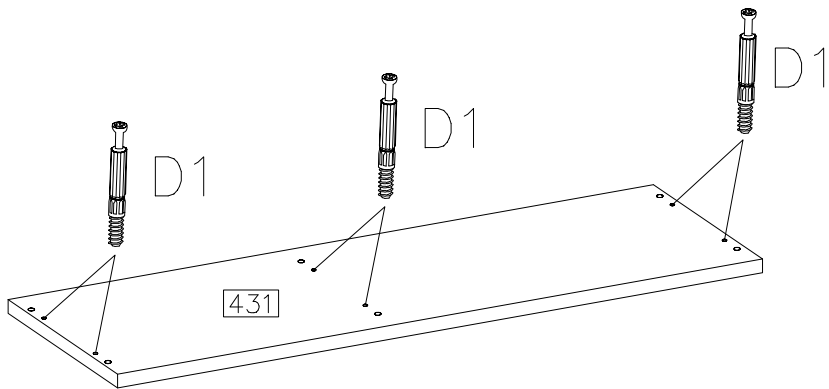
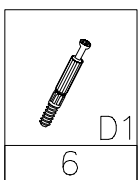
#	ART. NR	QUANTITY
1	431	1
2	432	1
3	433	1
4	131	1
5	132	1
6	231	1
7	232	2
8	531	1
9	031	1
10	631	1



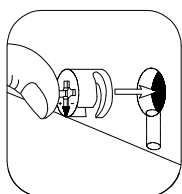
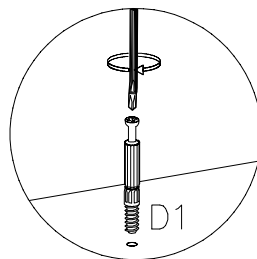
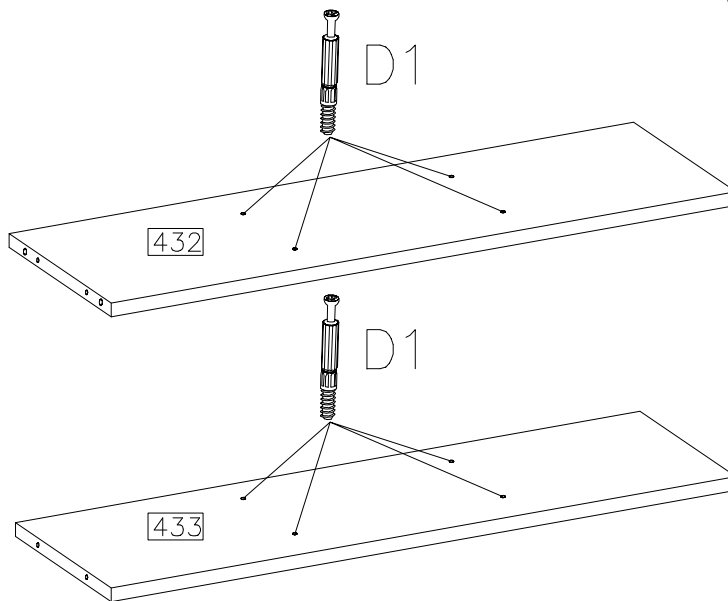
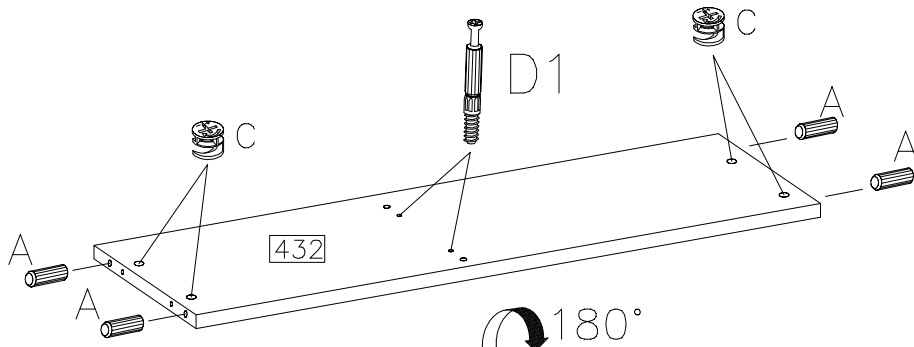
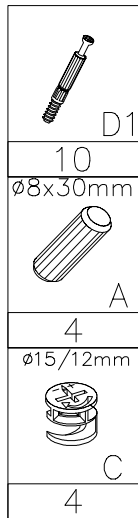
	$\varnothing 15/12\text{mm}$ 		$\varnothing 8 \times 30\text{mm}$ 	H=0 	$\varnothing 35/\text{KR}-0$ 	$\varnothing 4.0 \times 16\text{mm}$ 		$4.0 \times 27\text{mm}$ 
D1 20	C 20	E 20	A 12	H4 2	G6 2	P1 4	S1 1	R2 2
								
F10 20	J4 4							



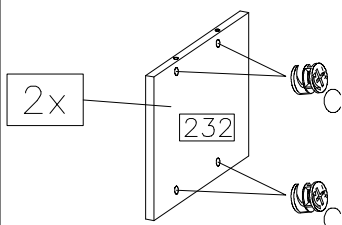
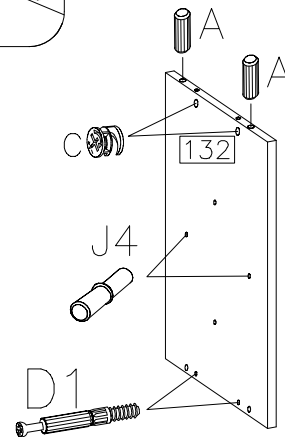
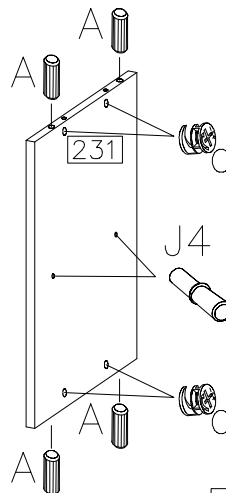
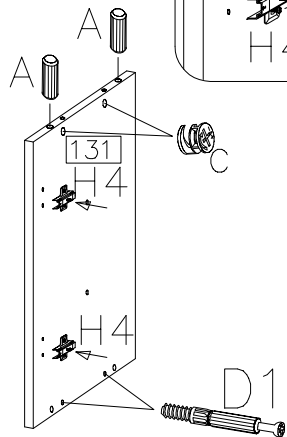
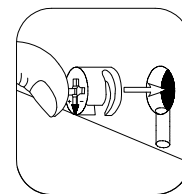
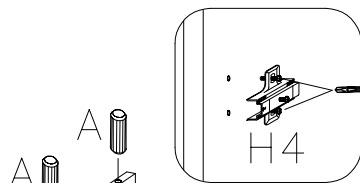
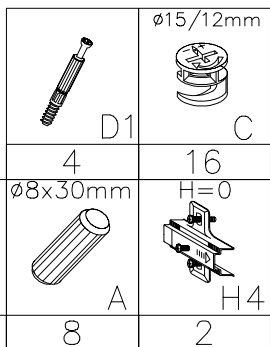
1



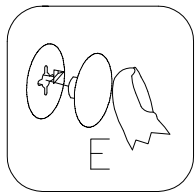
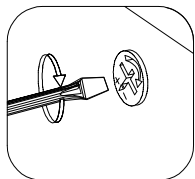
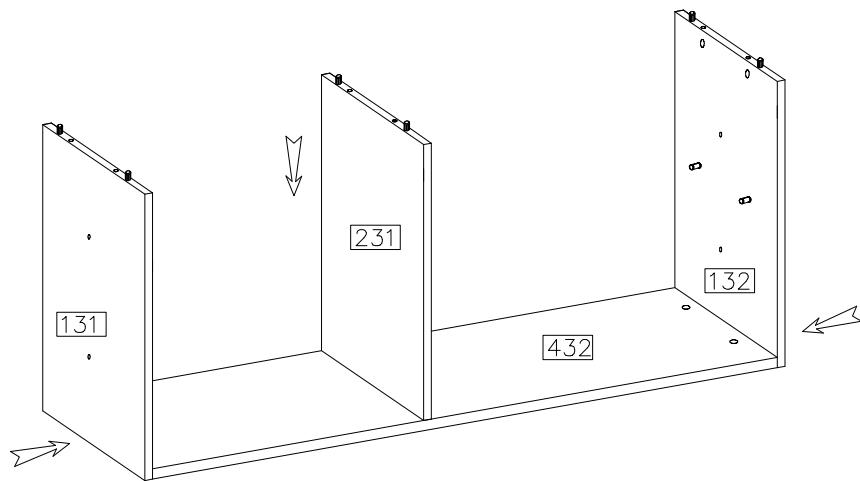
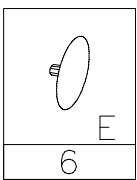
2



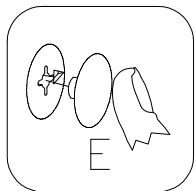
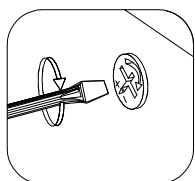
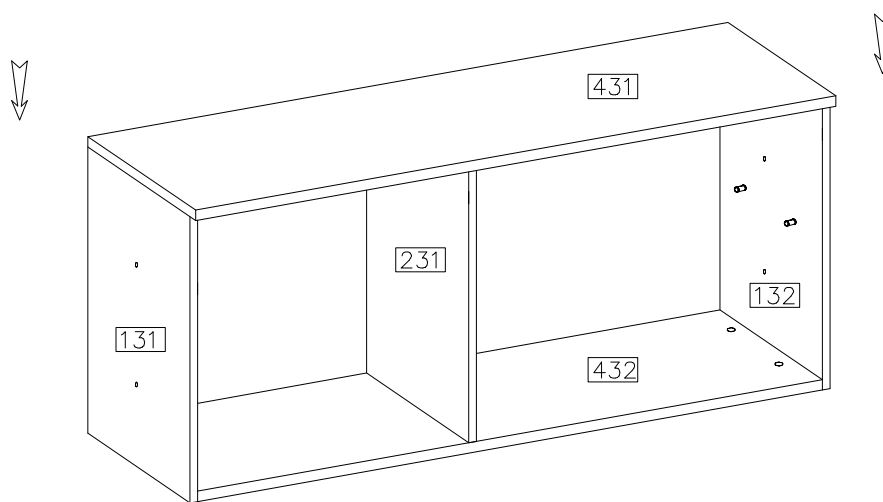
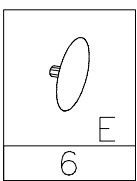
3



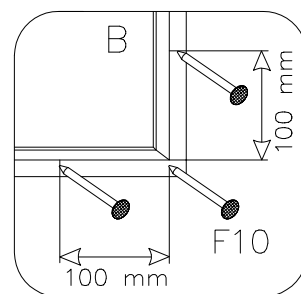
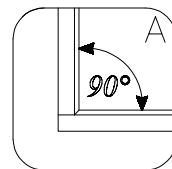
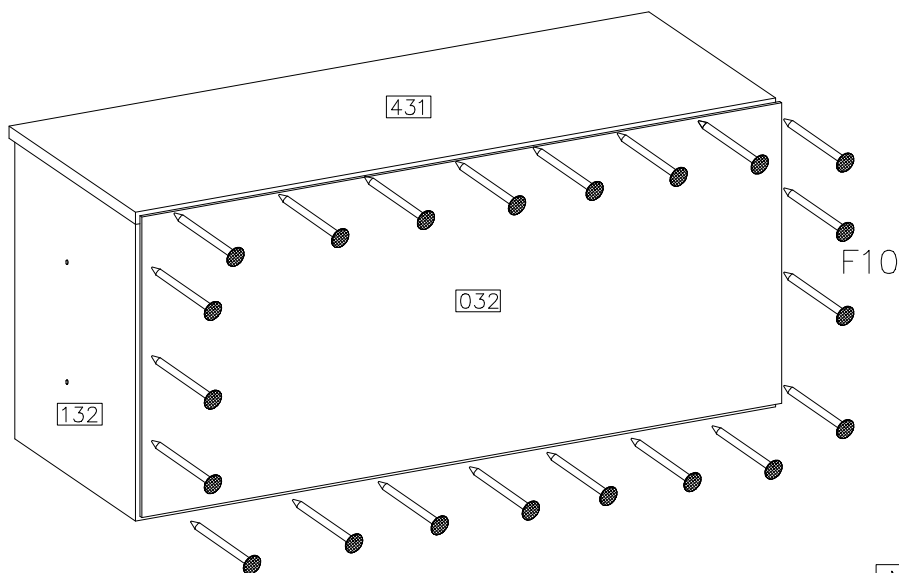
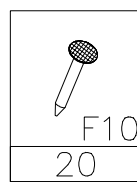
4



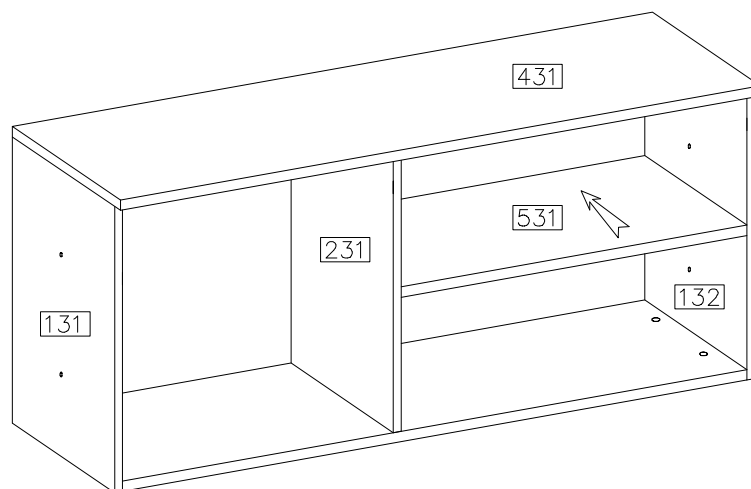
5



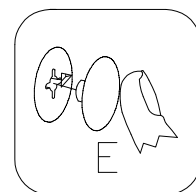
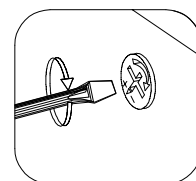
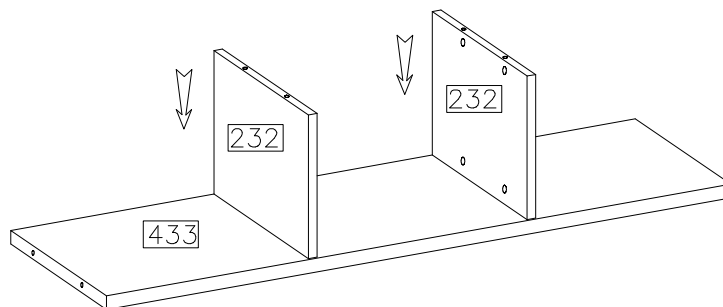
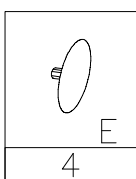
6



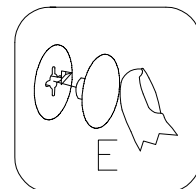
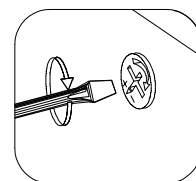
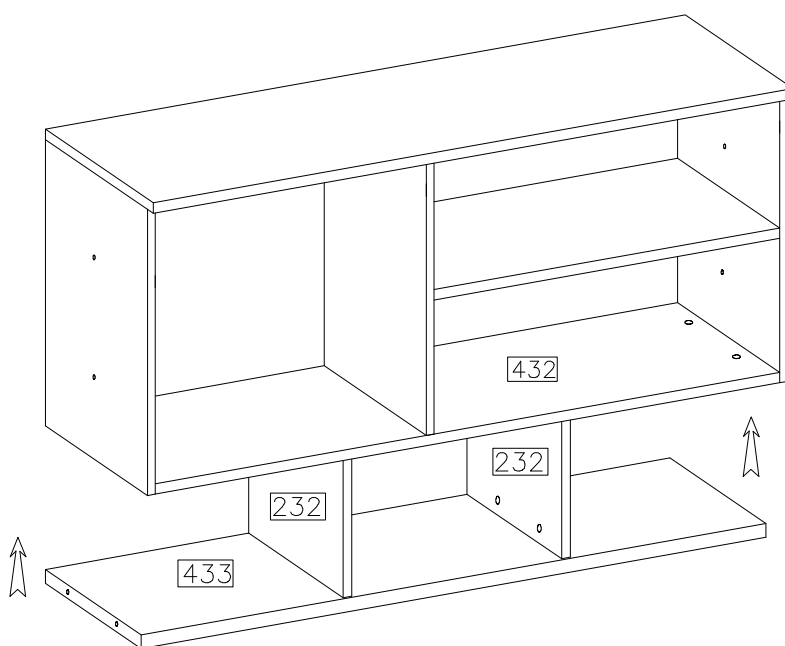
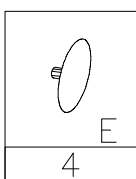
7



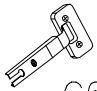



8

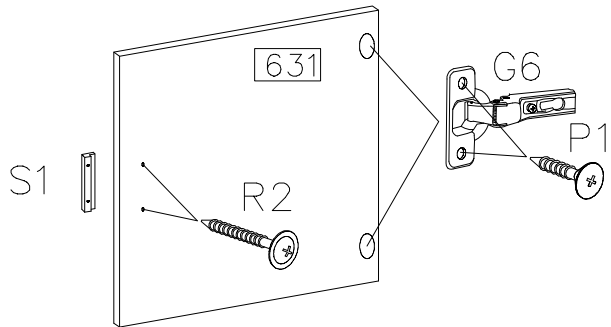


9

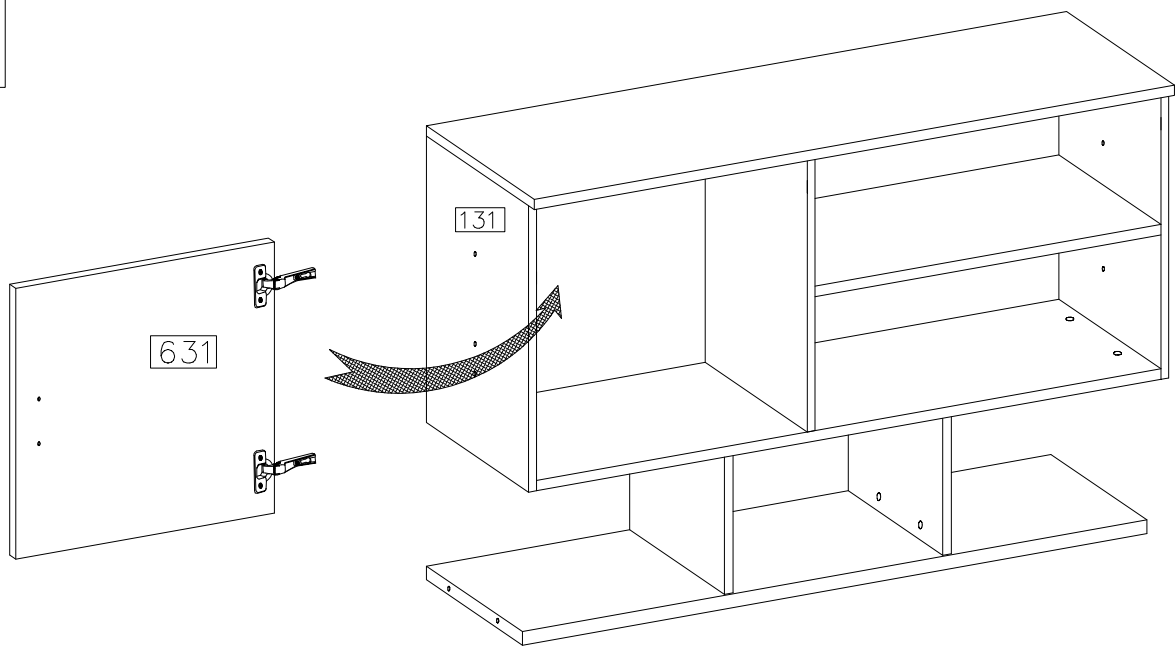


10

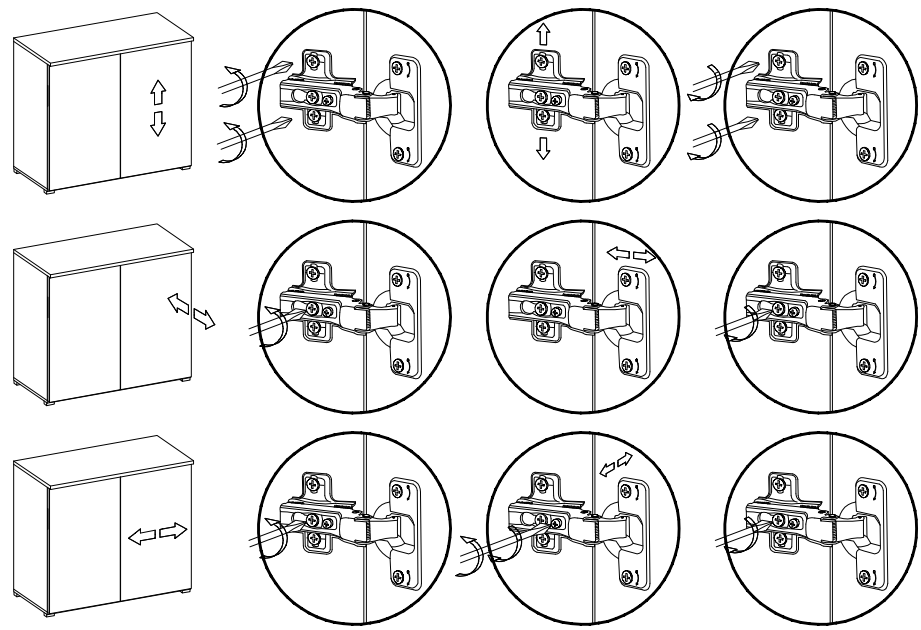
 G6 2	 P1 4	 S1 1	 R2 2
---------------------------------------------------------------------------------------------	---------------------------------------------------------------------------------------------	----------------------------------------------------------------------------------------------	---------------------------------------------------------------------------------------------







11

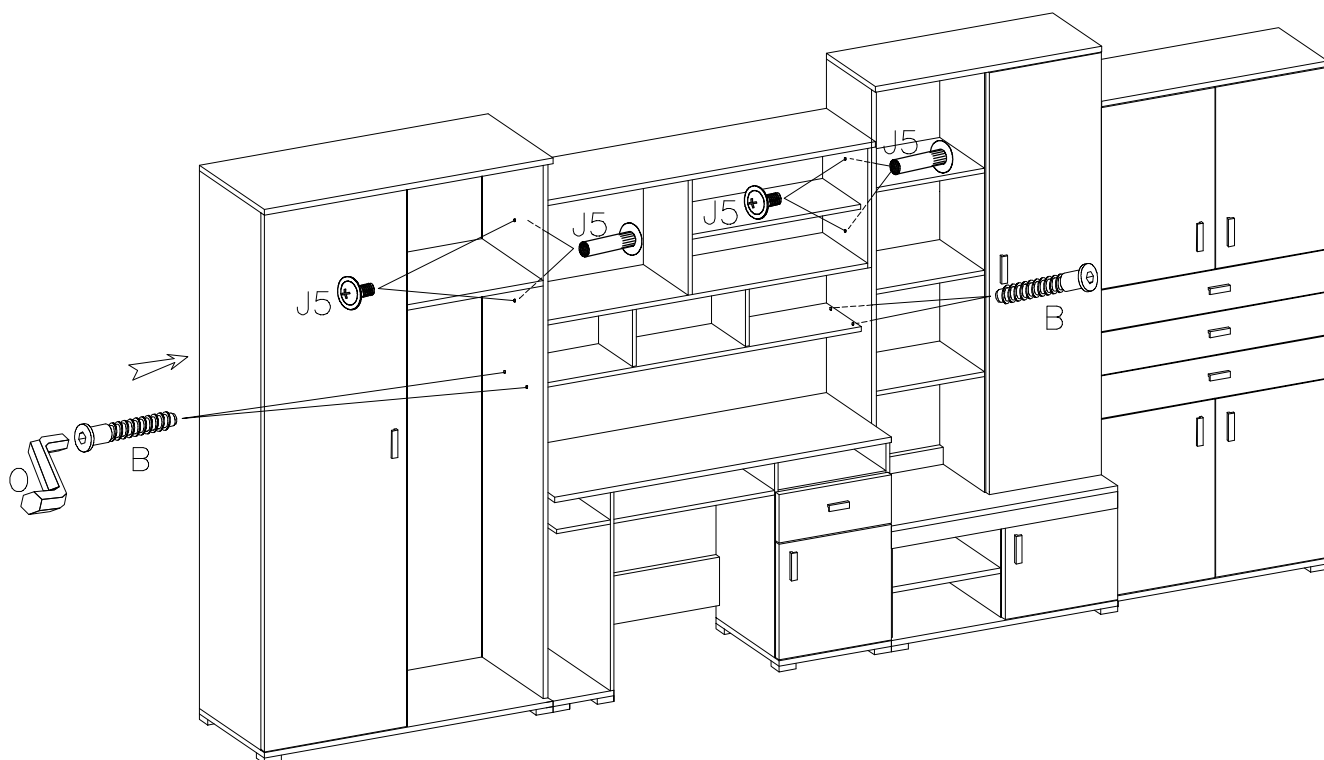
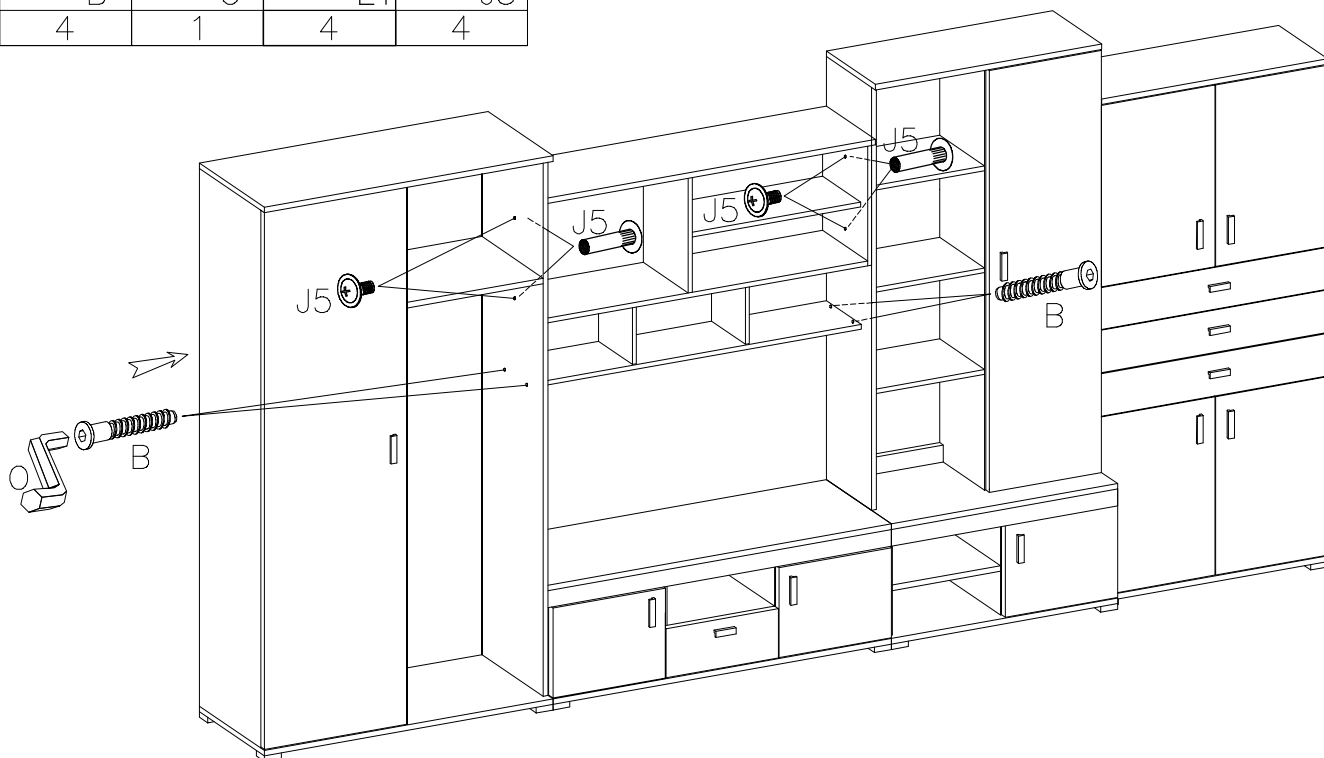


12

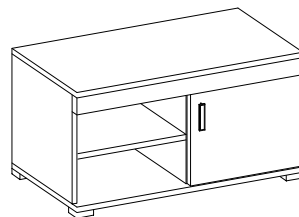
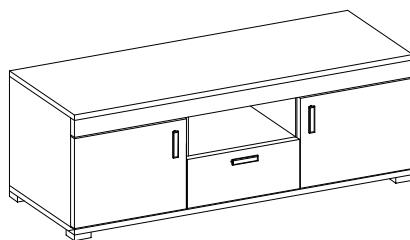
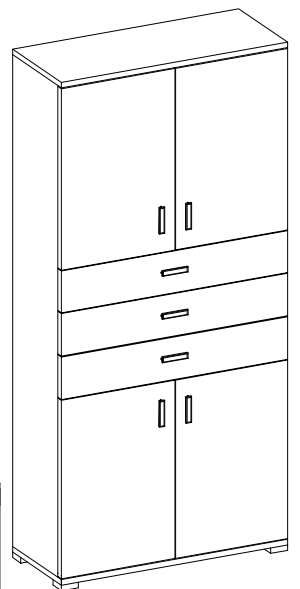
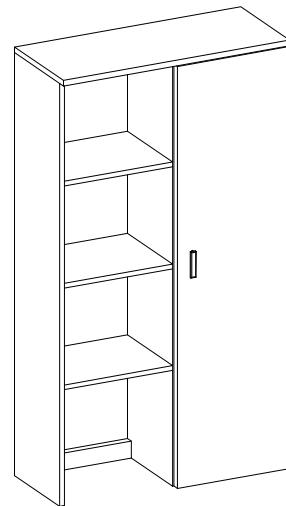
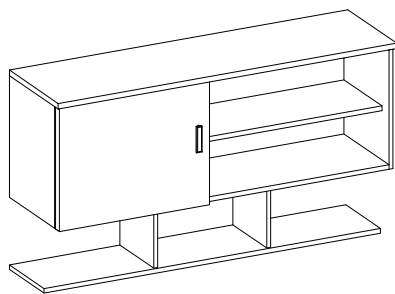
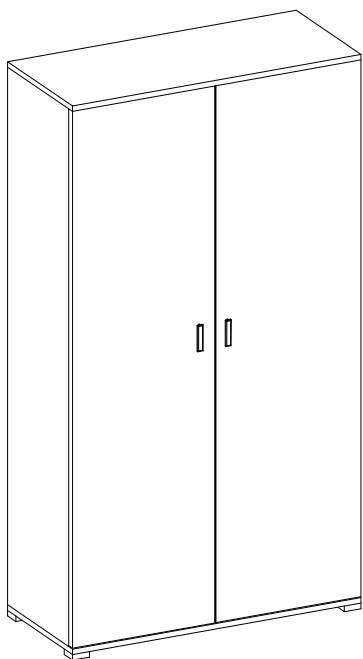
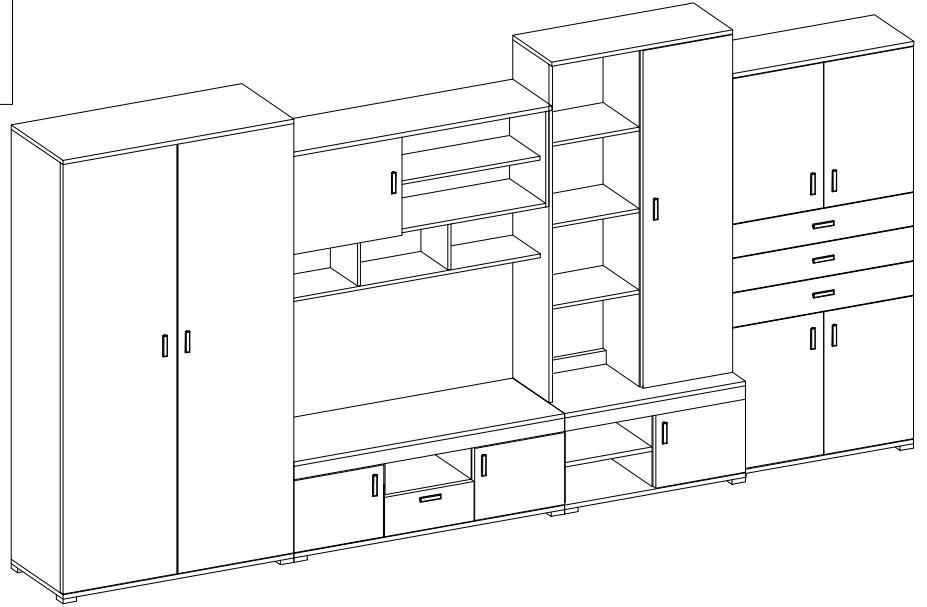
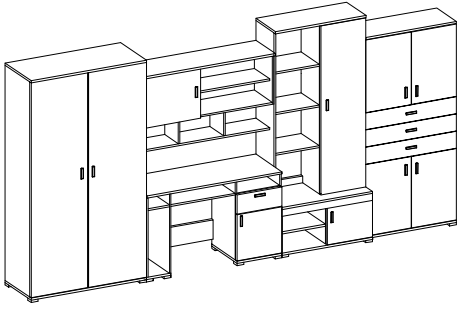


NELLY-NADSTAWKA RTV

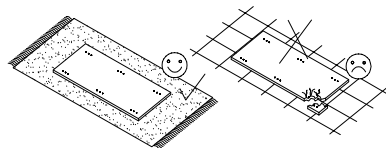
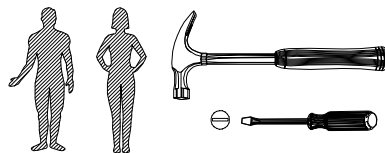
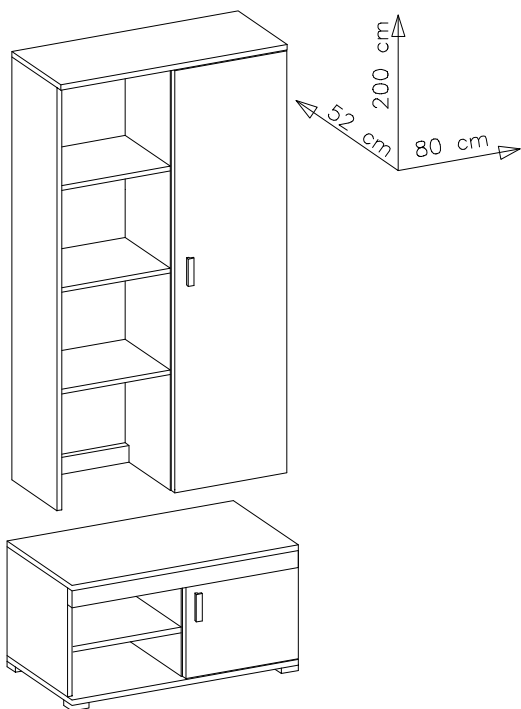
			
B	O	E1	J5
4	1	4	4



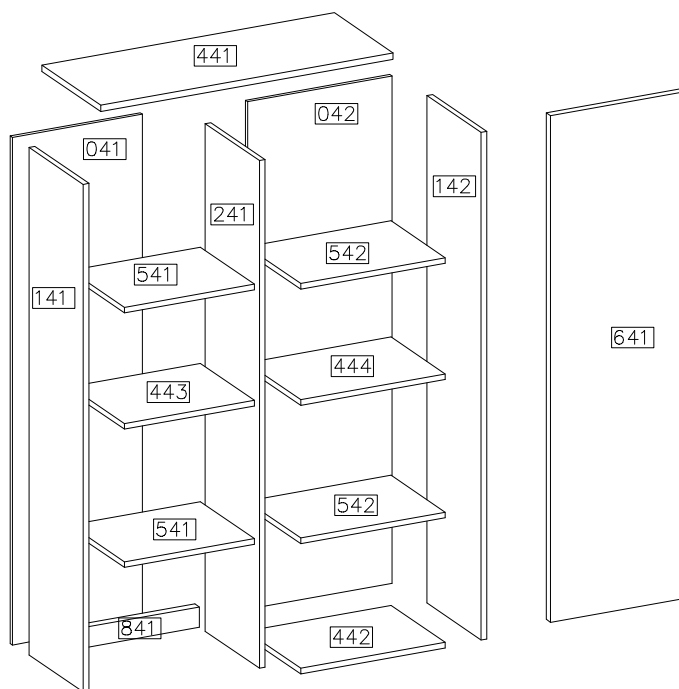
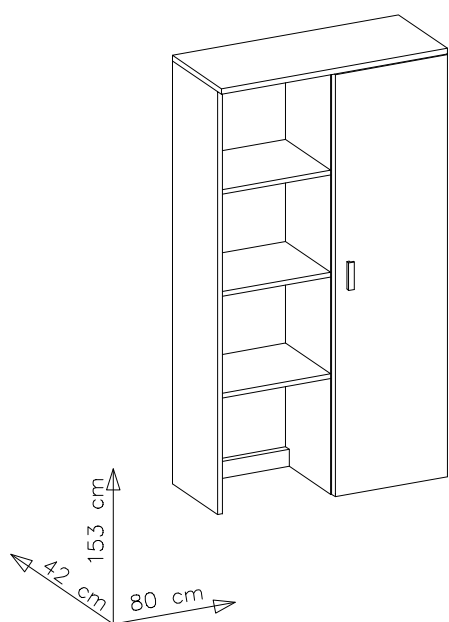
NELLY



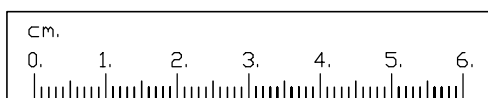
NELLY-REGAŁ Z PÓŁKAMI 80



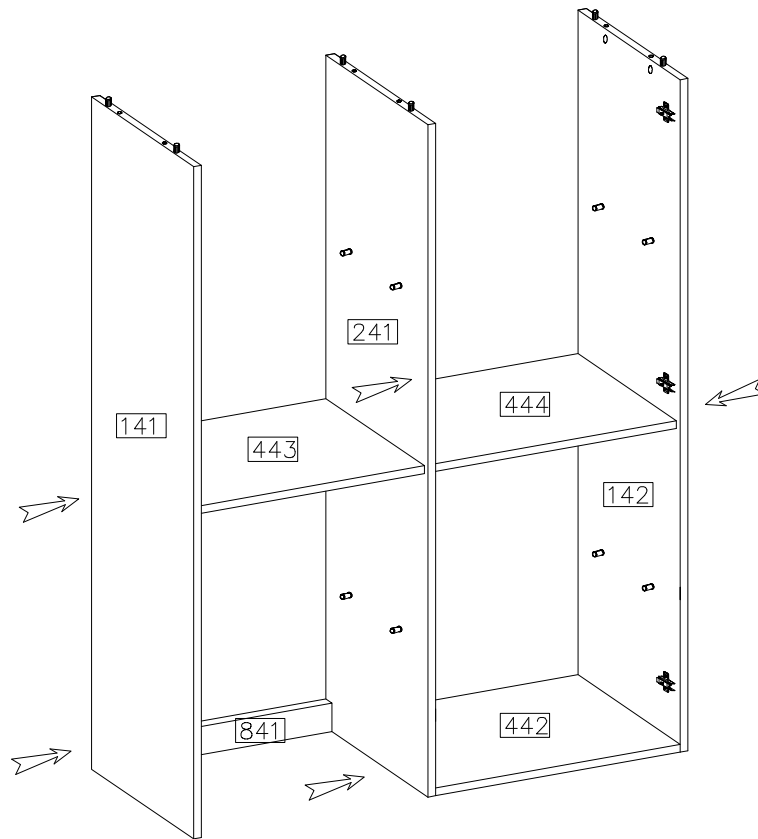
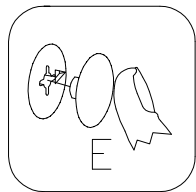
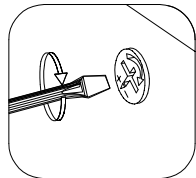
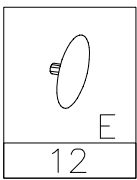
#	ART. NR	QUANTITY
1	441	1
2	442	1
3	443	1
4	444	1
5	141	1
6	142	1
7	241	1
8	541	2
9	542	2
10	041	1
11	042	1
12	841	1
13	641	1



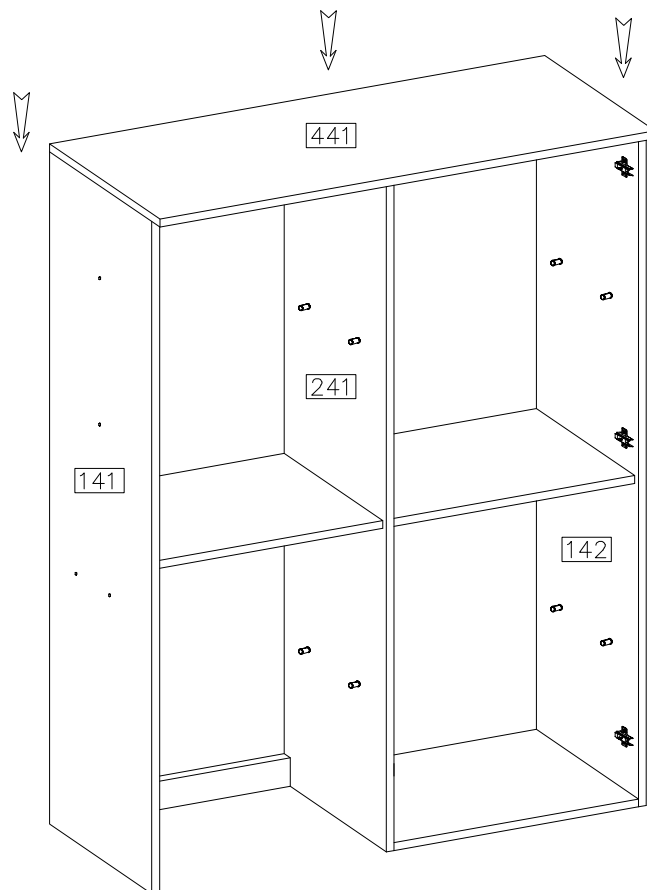
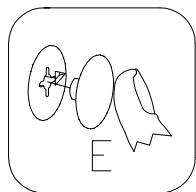
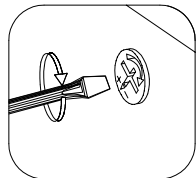
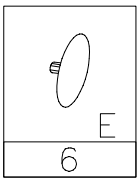
D1	$\varnothing 15/12\text{mm}$ C	E	$\varnothing 8 \times 30\text{mm}$ A	H=0 H4	$\varnothing 35/\text{KR}-0$ G6	$\varnothing 4.0 \times 16\text{mm}$ P1	S1	$4.0 \times 27\text{mm}$ R2
18	18	18	26	3	3	10	1	2
F10	J4	F8	$3.5 \times 13\text{mm}$ P2	B2				
50	16	10	2	2				




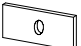
4

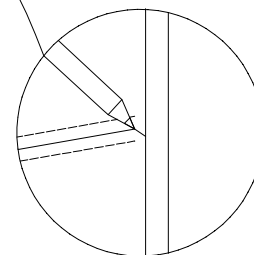
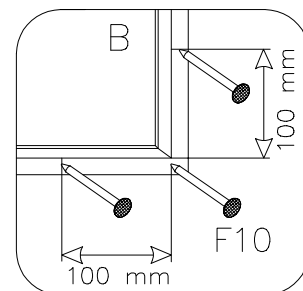
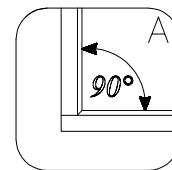
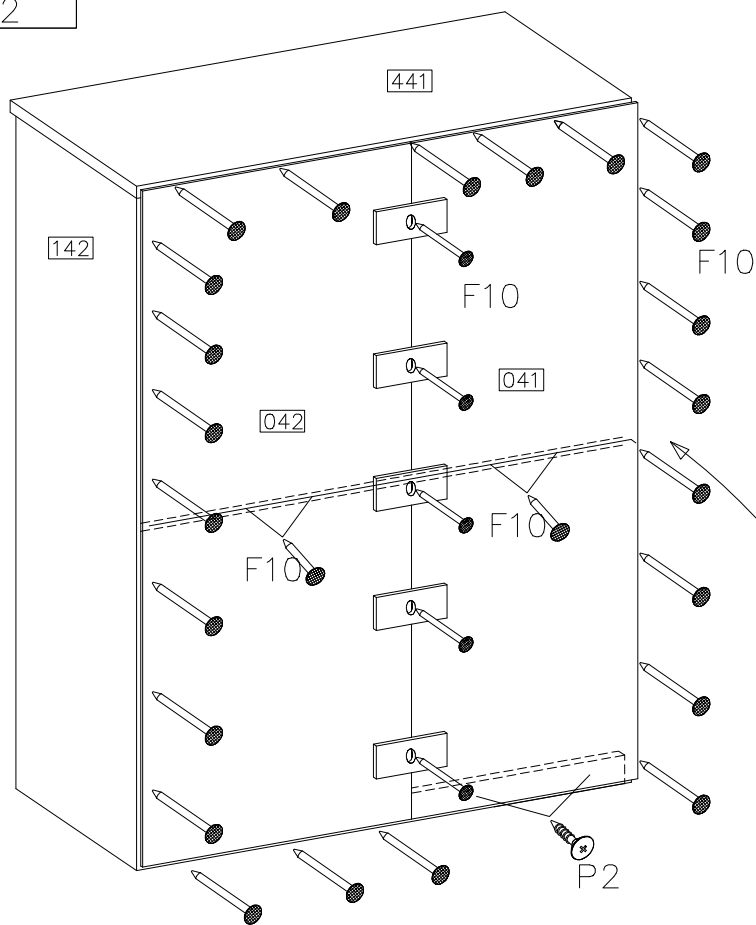


5

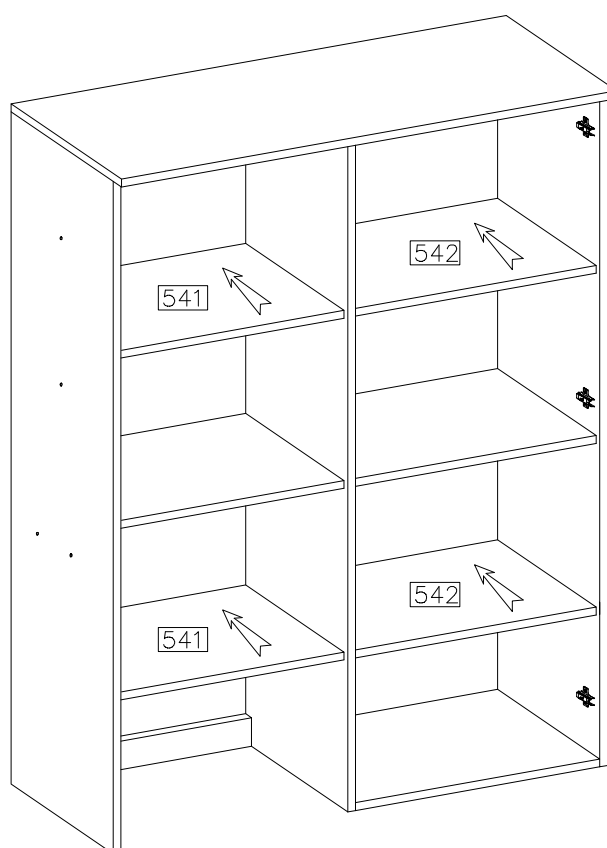


6

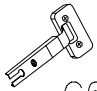



	3.5x13mm
F10	P2
50	2
	
F8	
10	

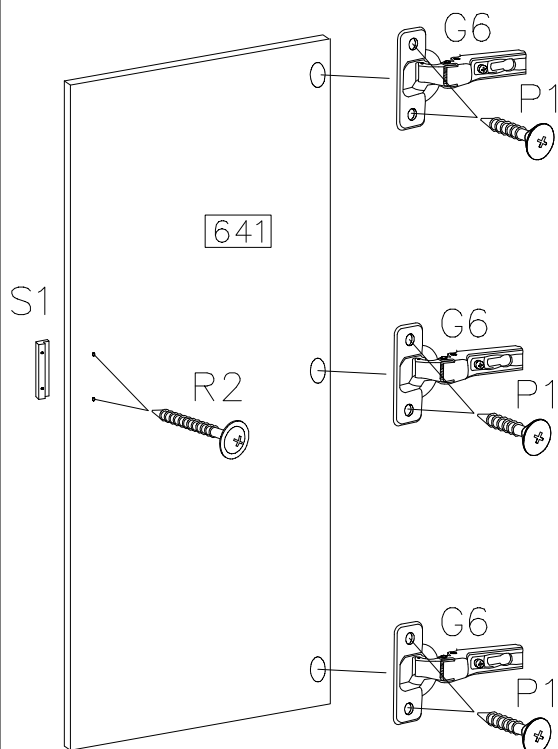
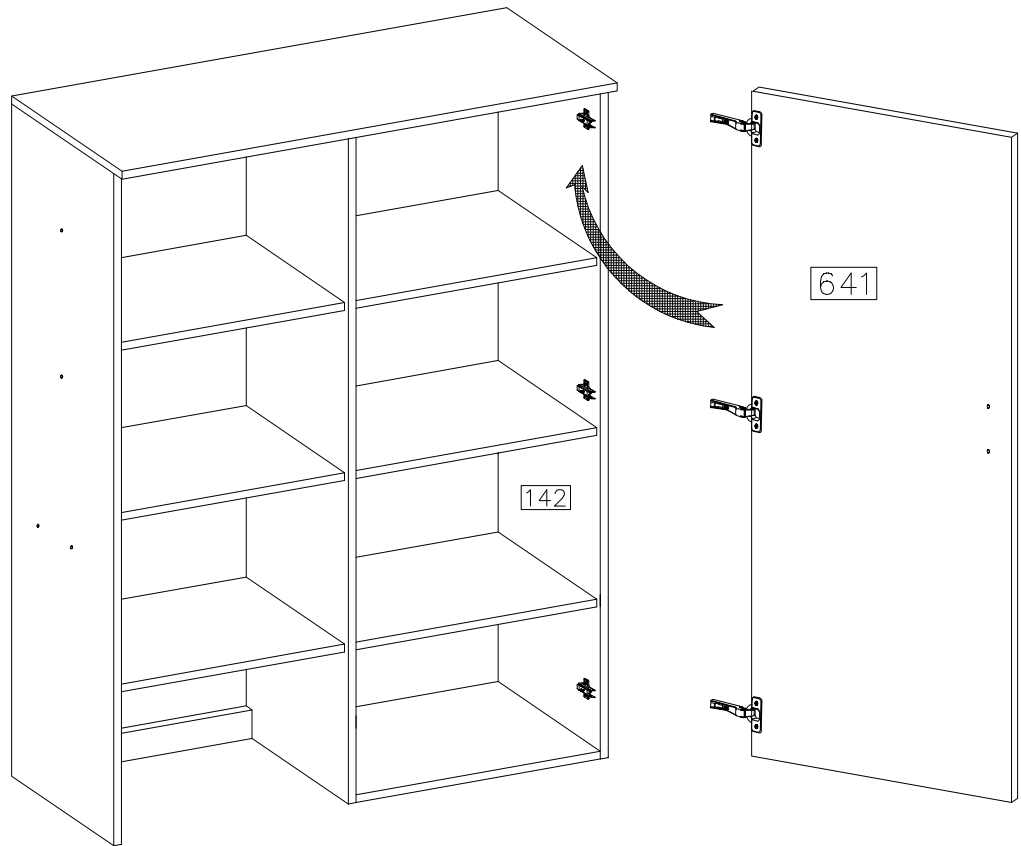


7

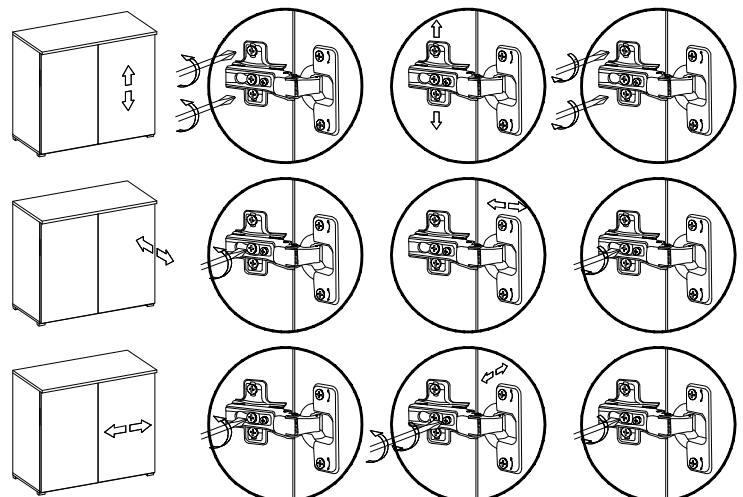


8

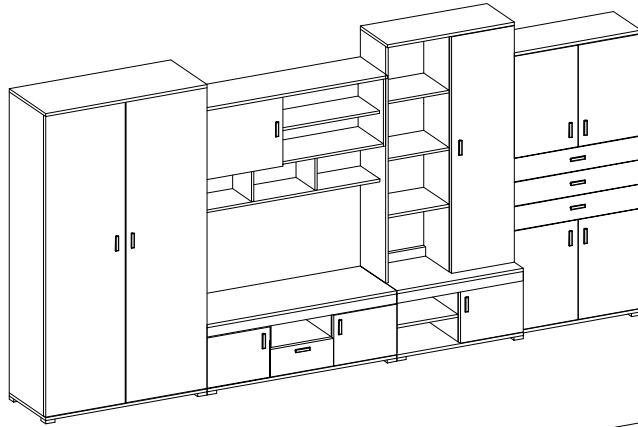
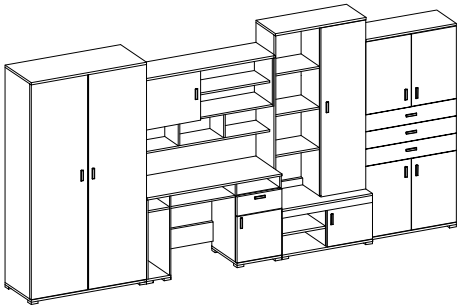
∅35/KR-0  G6 2	∅4.0x16mm  P1 4	 S1 1	4.0x27mm  R2 2
---------------------------------------------------------------------------------------------------------	----------------------------------------------------------------------------------------------------------	----------------------------------------------------------------------------------------------	---------------------------------------------------------------------------------------------------------

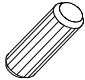
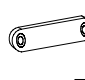



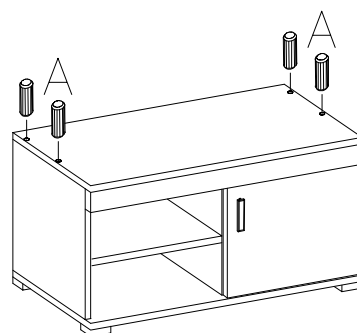
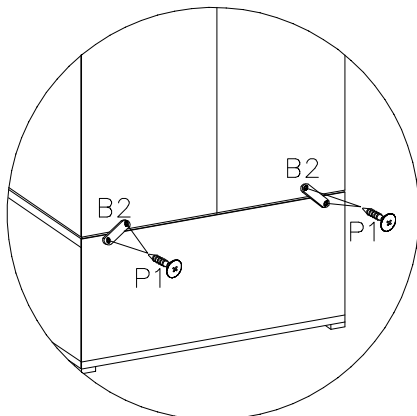
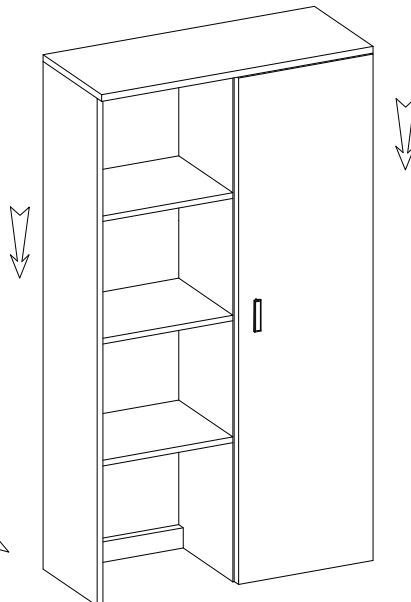
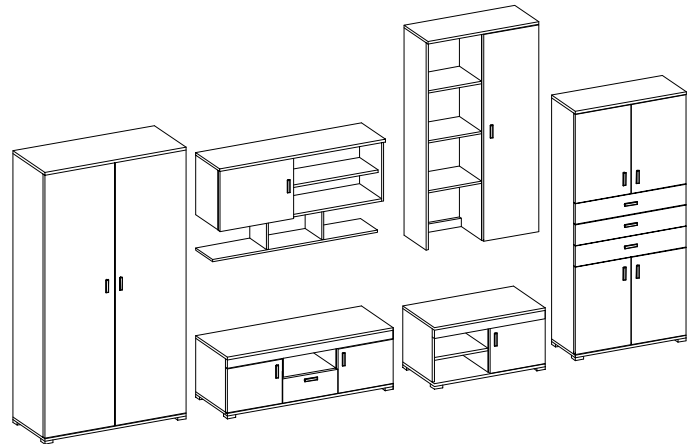
9



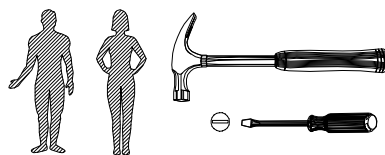
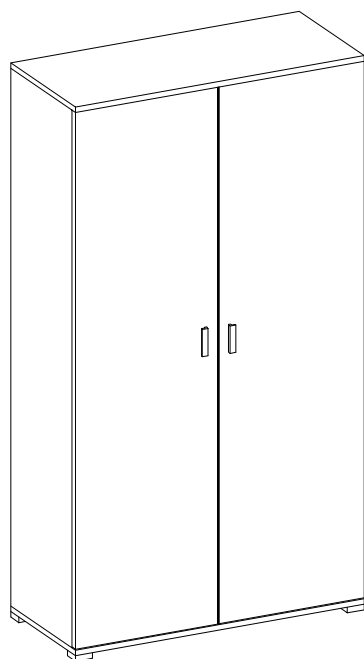
NELLY



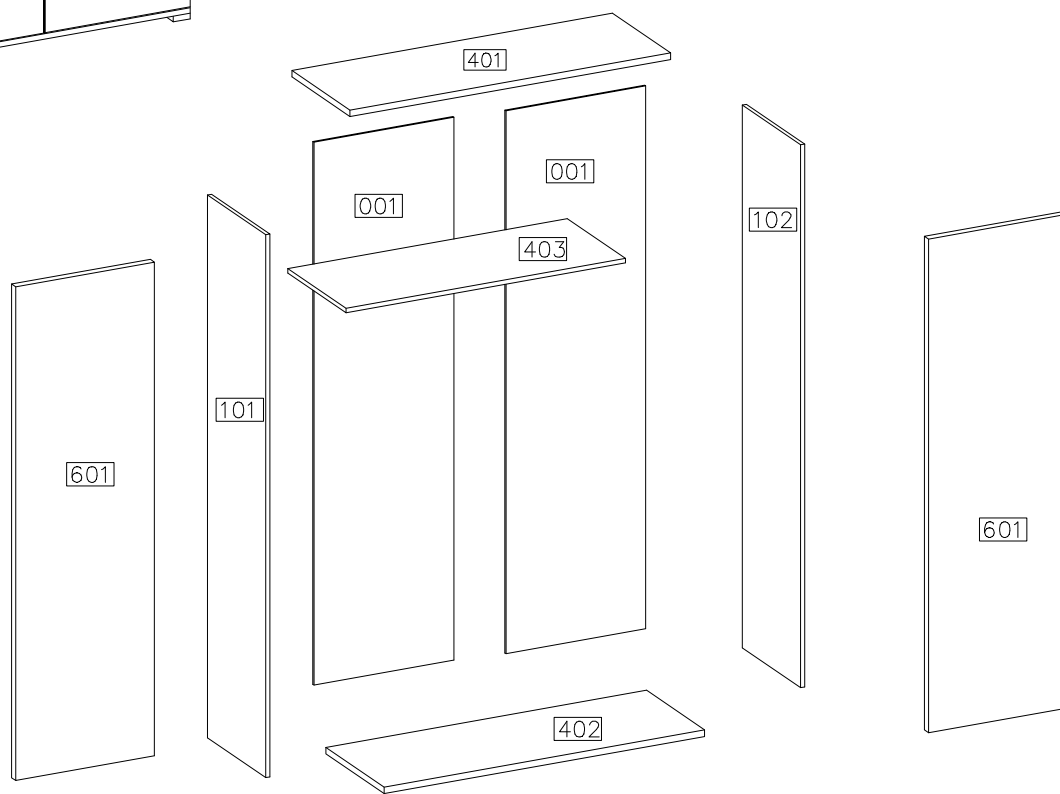
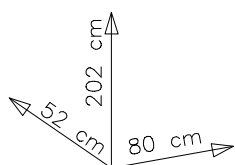
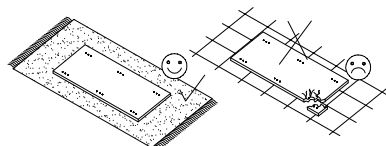
$\varnothing 8 \times 30 \text{mm}$  A 4	$\varnothing 4.0 \times 16 \text{mm}$  B2 2	$\varnothing 4.0 \times 16 \text{mm}$  P1 4
------------------------------------------------------------------------------------------------------------------------------------	---------------------------------------------------------------------------------------------------------------------------------------	---------------------------------------------------------------------------------------------------------------------------------------



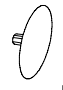
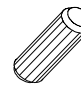
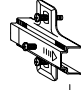
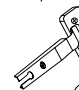


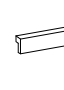




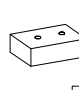



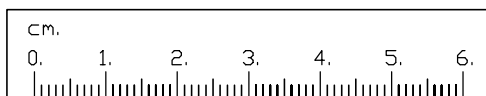
NELLY – SZAFA





#	ART. NR	QUANTITY
1	401	1
2	402	1
3	403	1
4	101	1
5	102	1
6	001	2
7	601	2

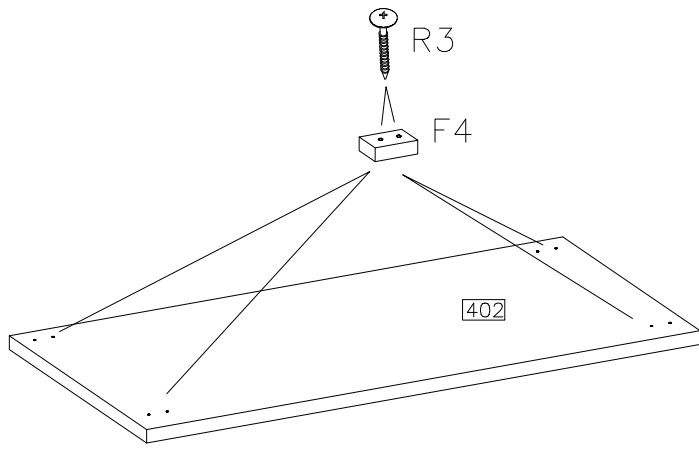


 D1	 C	 E	 A	 H4	 G6	 P2	 P1	 S1	 R2	 O12
12	12	12	16	6	6	4	12	2	4	1
 F10	 R3	 F4	 O10							
50	8	4	2							




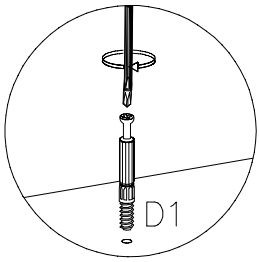
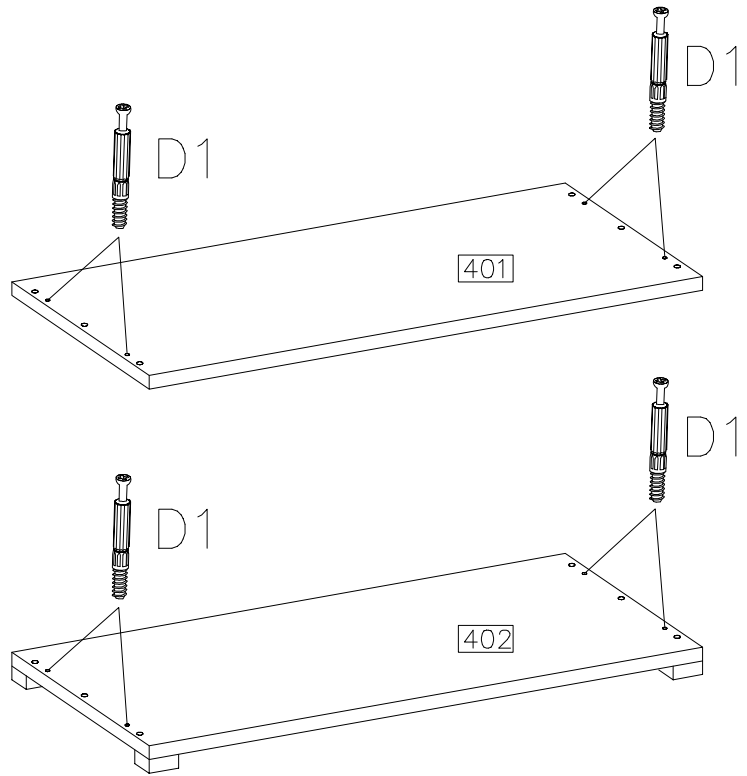
1

4.0x35mm		
	R3	F4
	8	4


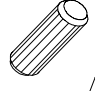


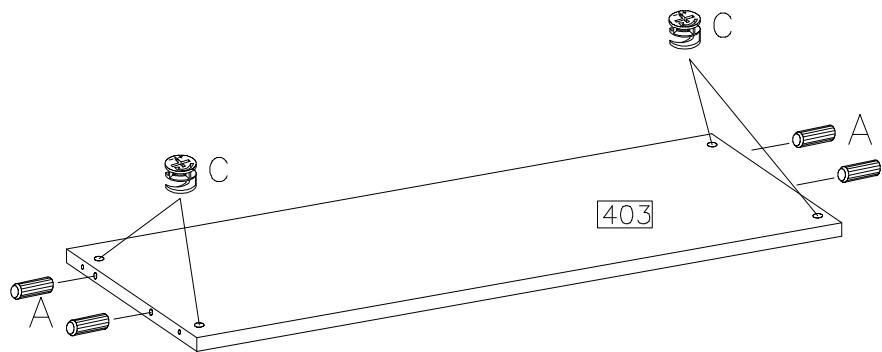
2


D1
8


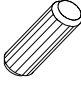
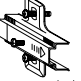





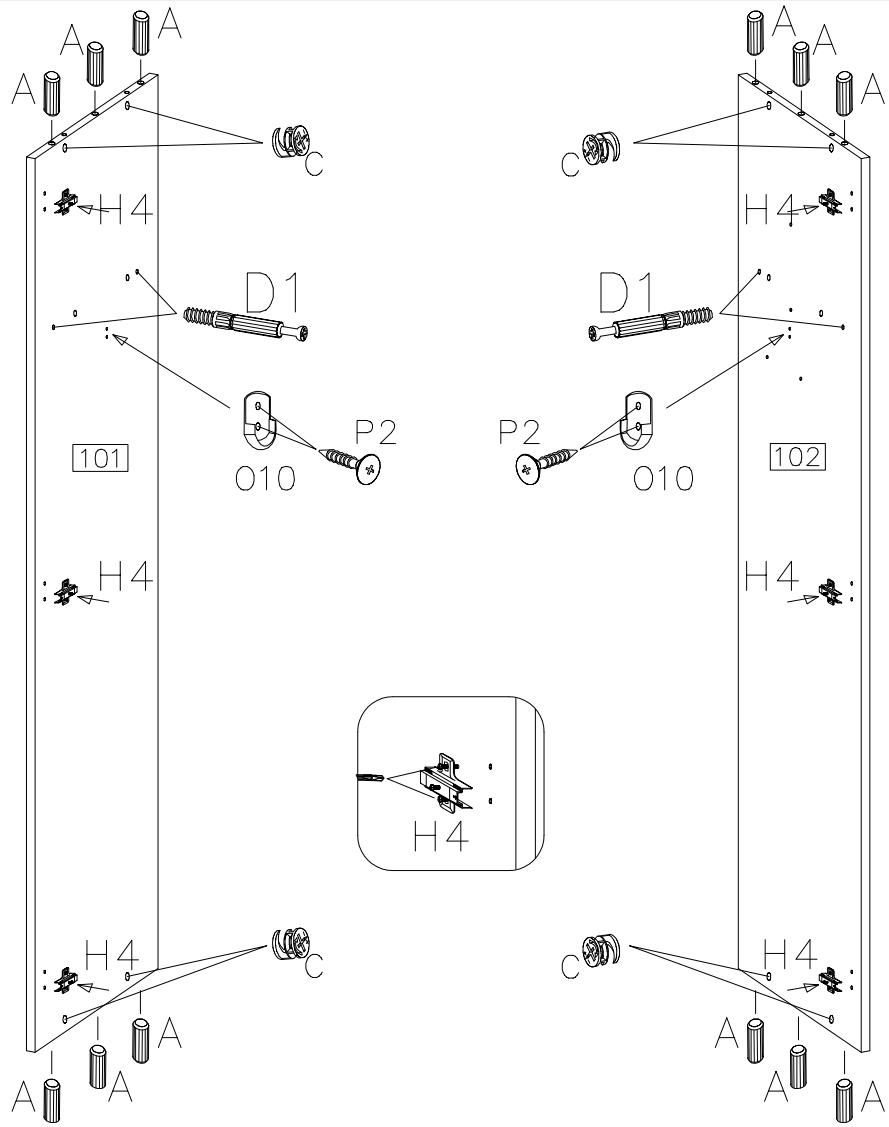
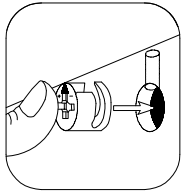
3

ø15/12mm	ø8x30mm
	
C	A
4	4

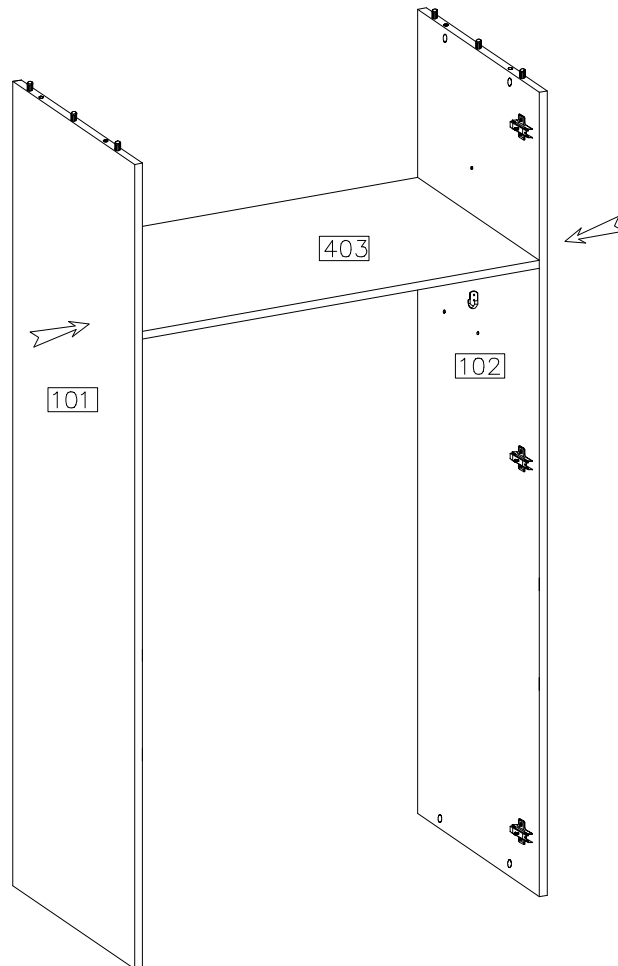
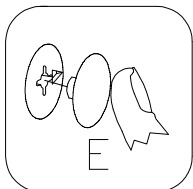
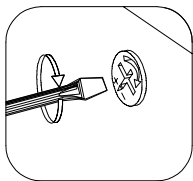
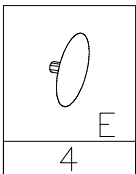


4

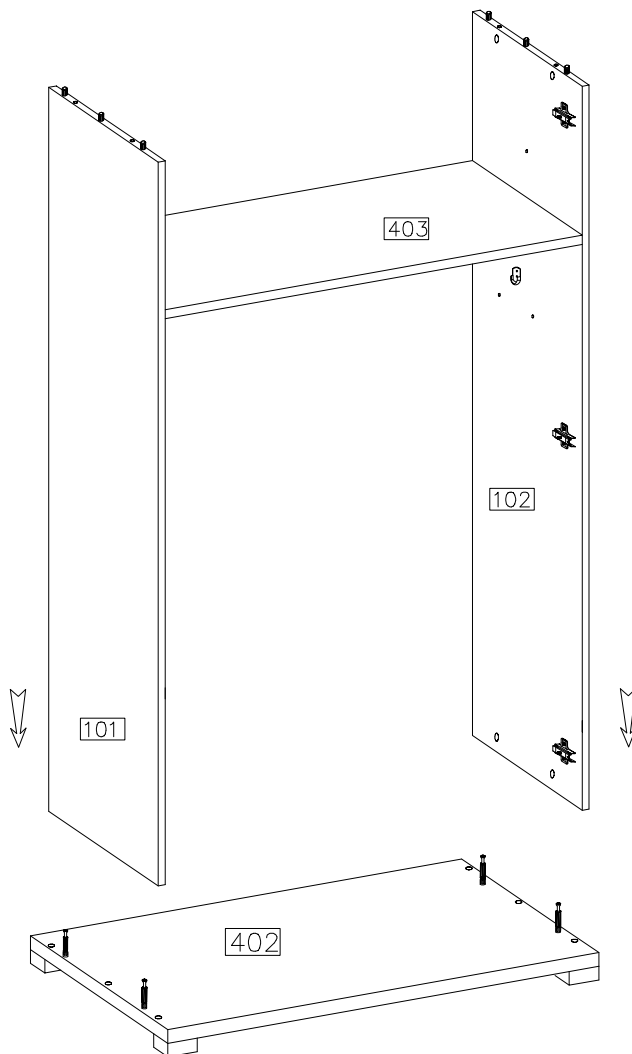
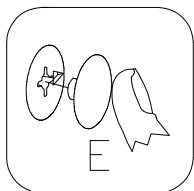
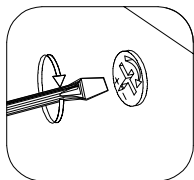
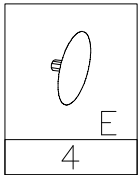
 D1	$\varnothing 8 \times 30 \text{mm}$  A
4 H=0	12
 H4	 O10
6	2
3.5x13mm  P2	$\varnothing 15/12 \text{mm}$  C
4	8



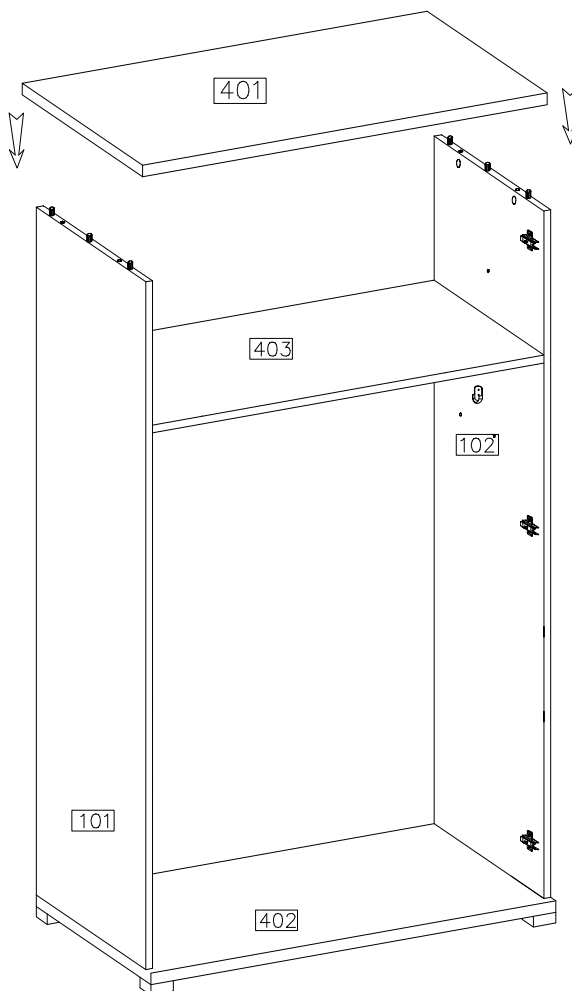
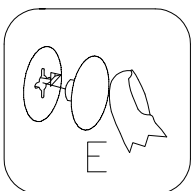
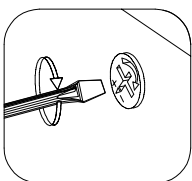
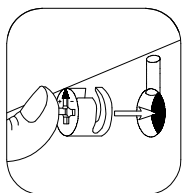
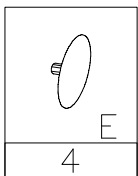
5



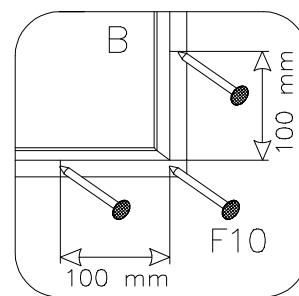
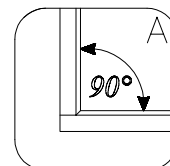
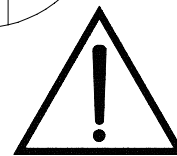
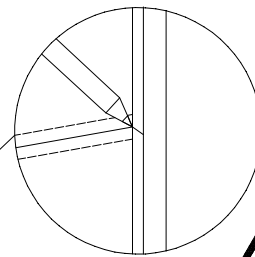
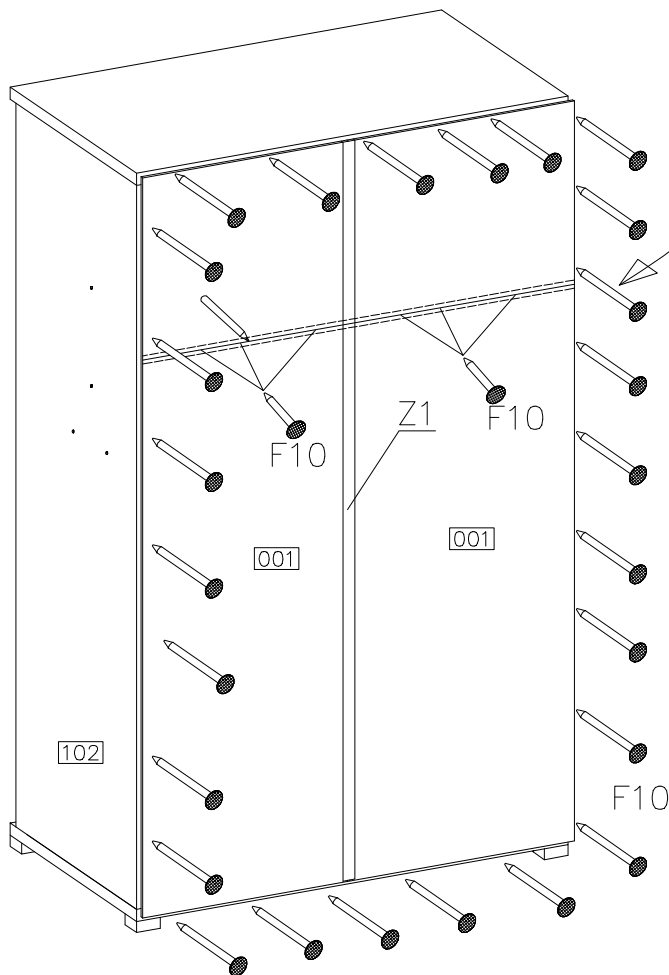
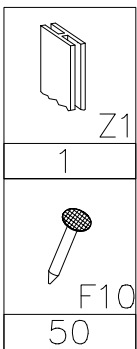
6



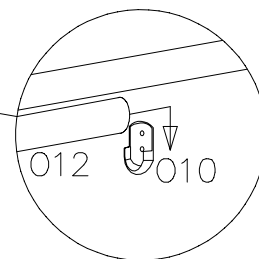
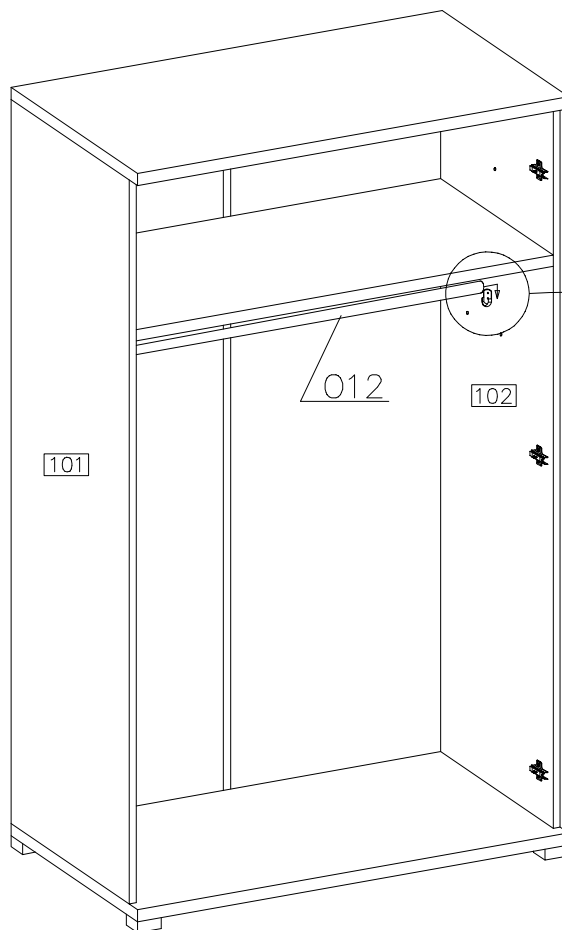
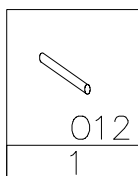
7



8

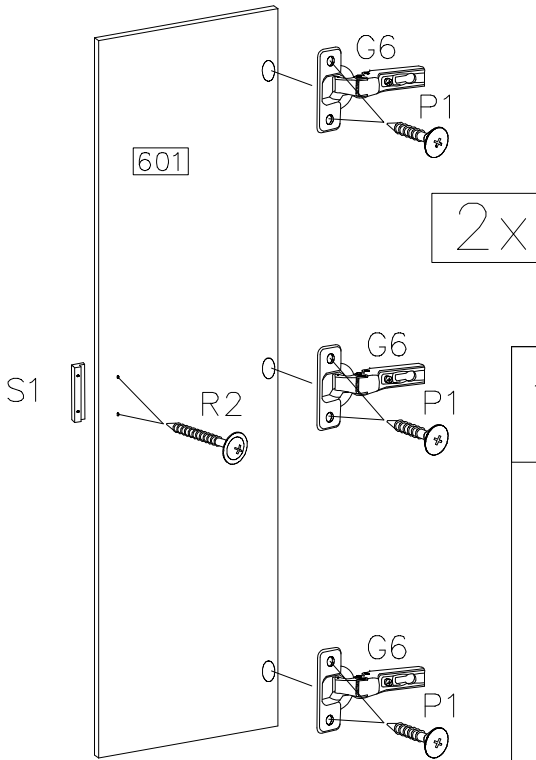
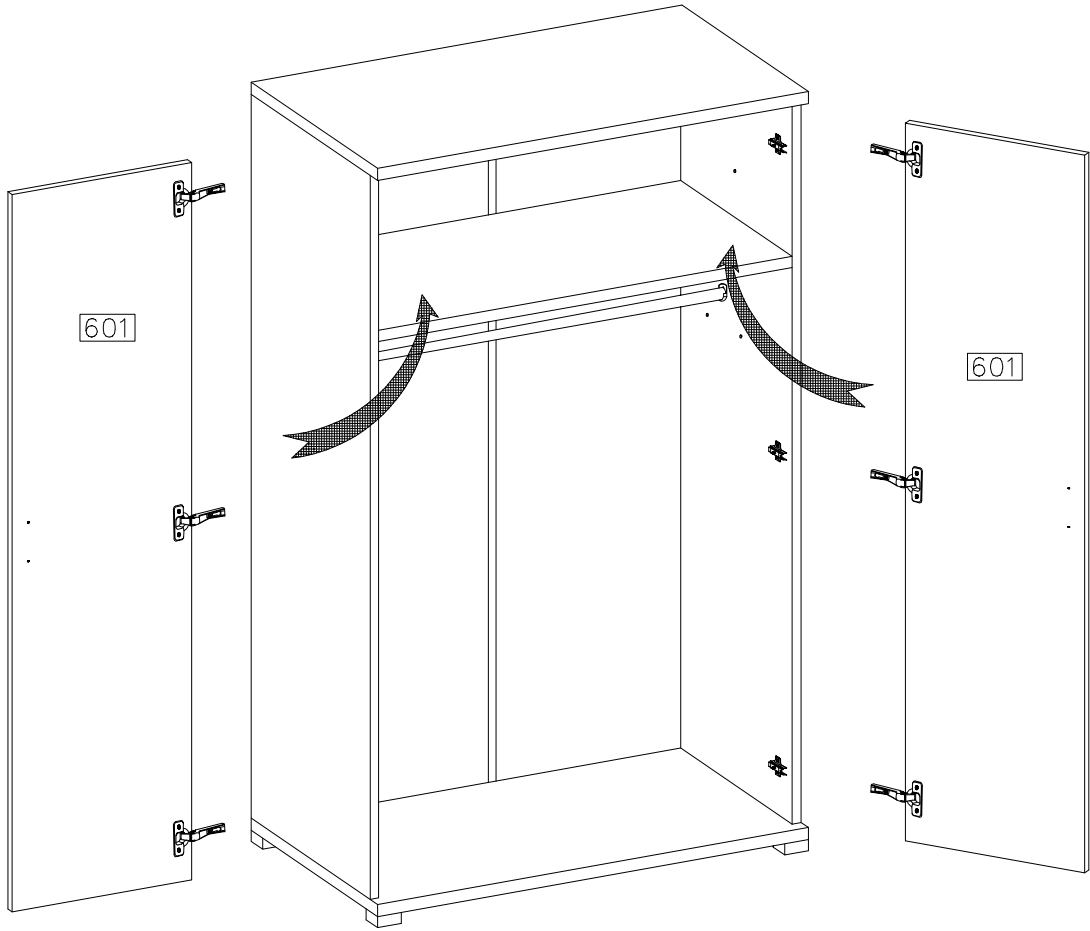


9

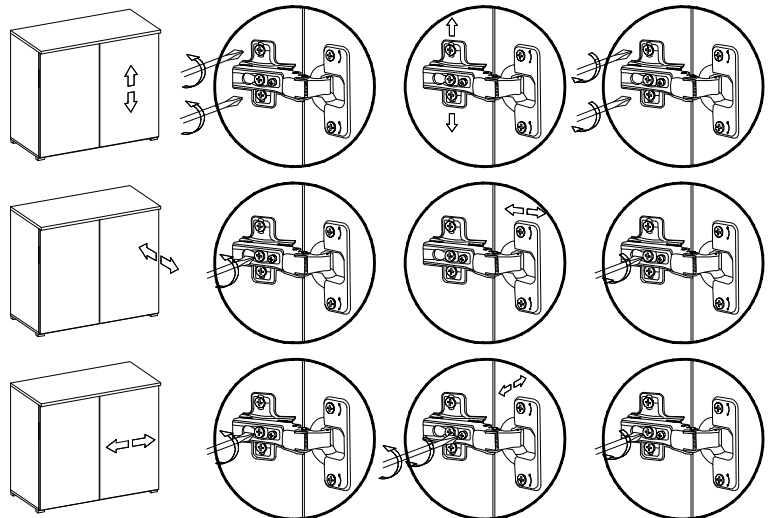


10

∅35/KR-0 G6 6	∅4.0x16mm P1 12	S1 2	4.0x27mm R2 4
---------------------	-----------------------	---------	---------------------



11



NELLY

