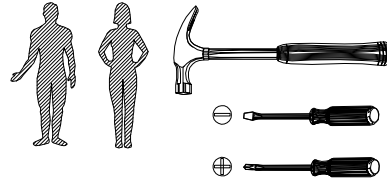
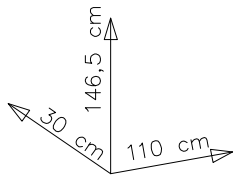
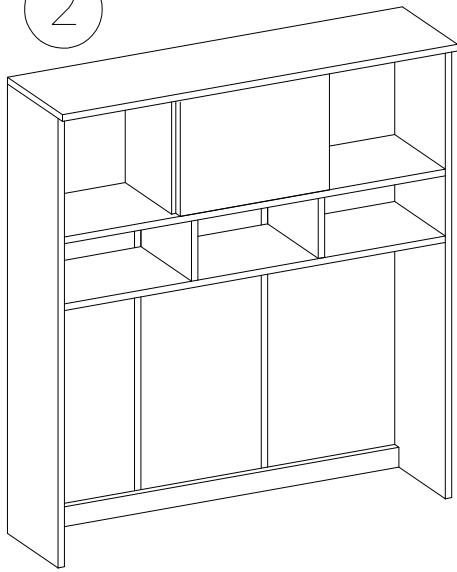
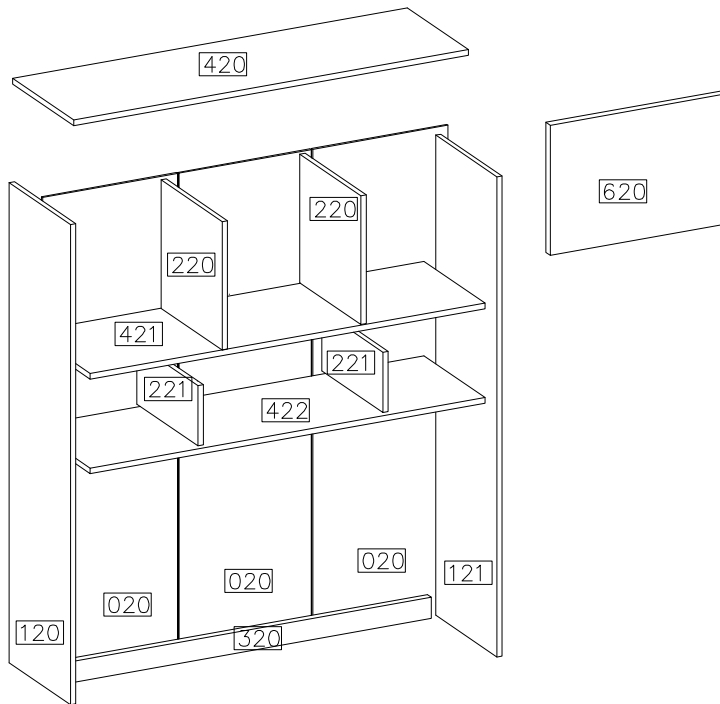
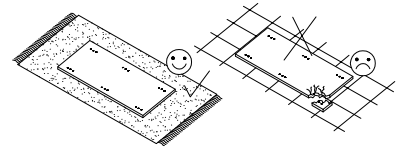


VIVA NADSTAWKA RTV

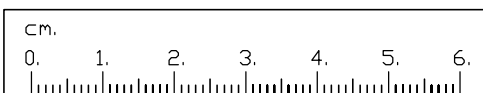
2





#	ART. NR	QUANTITY
1	420	1
2	421	1
3	422	1
4	120	1
5	121	1
6	220	2
7	221	2
8	620	1
9	020	3
10	320	1

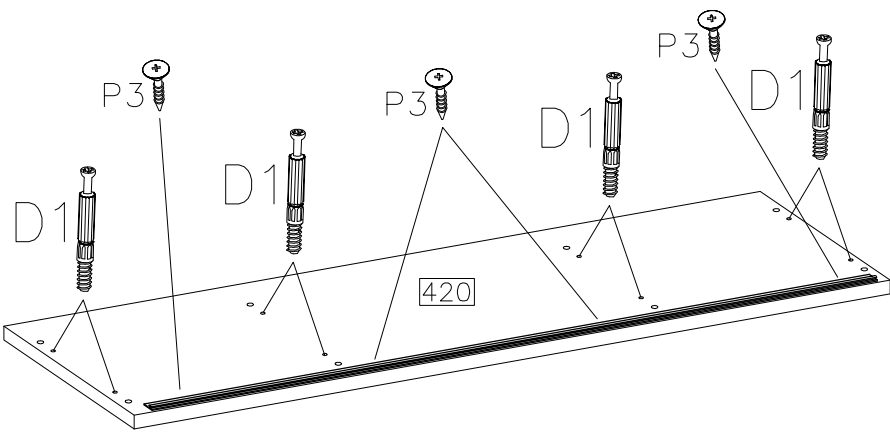
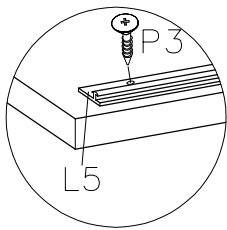
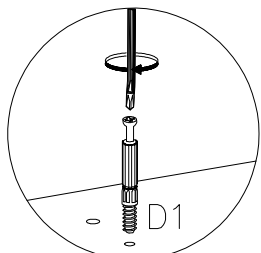


D1	C	A	E	F10	J4	
26	26	34	26	50	2	
P1	B2	Z1	P3	L5	K5	K6
24	2	2	8	2	2	2


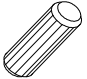



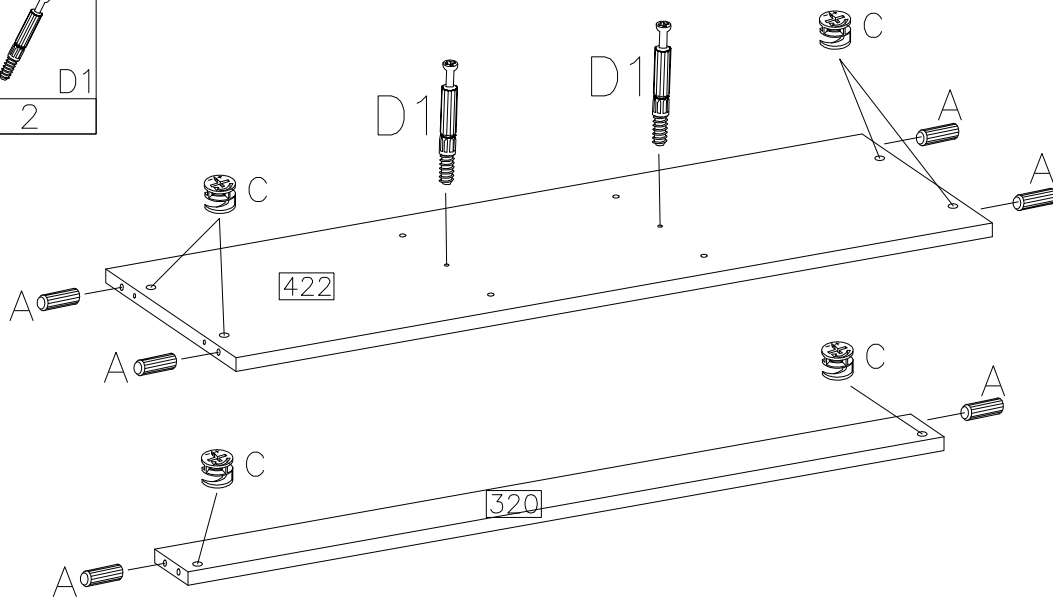
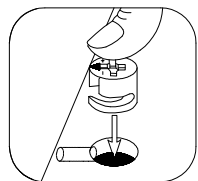
1

	3.0x13mm	
D1		P3
8		4






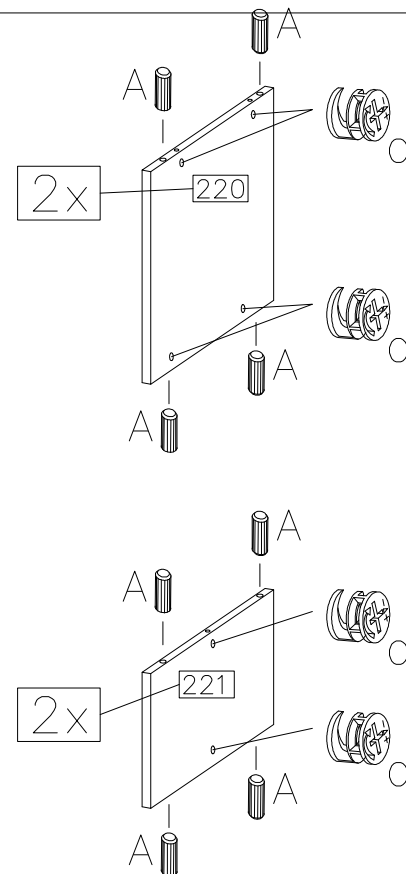
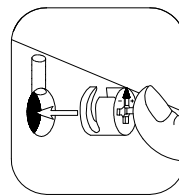
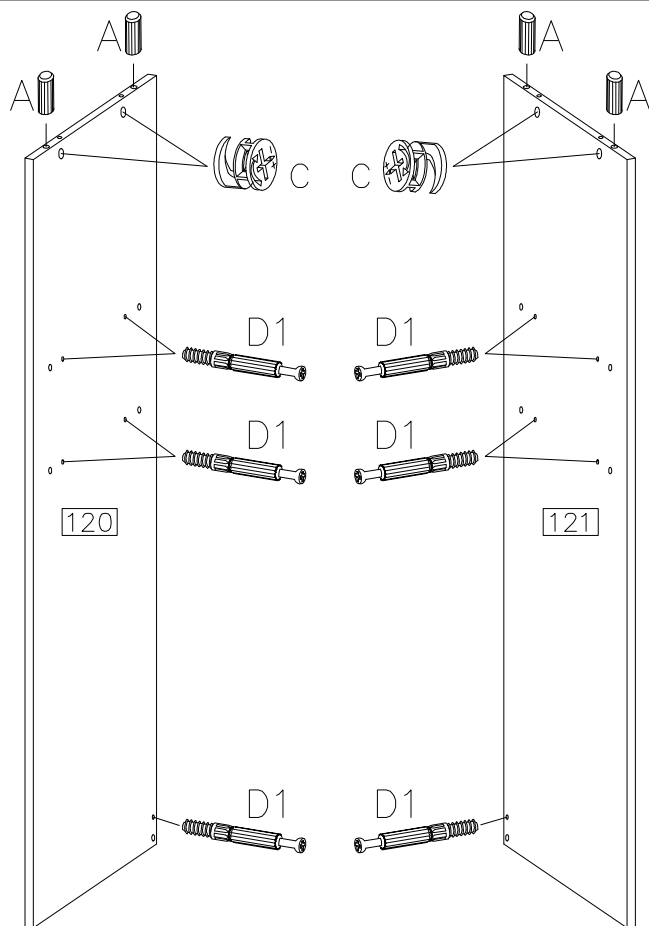
2

		
∅15/12mm	∅8x30mm	D1
6	6	2







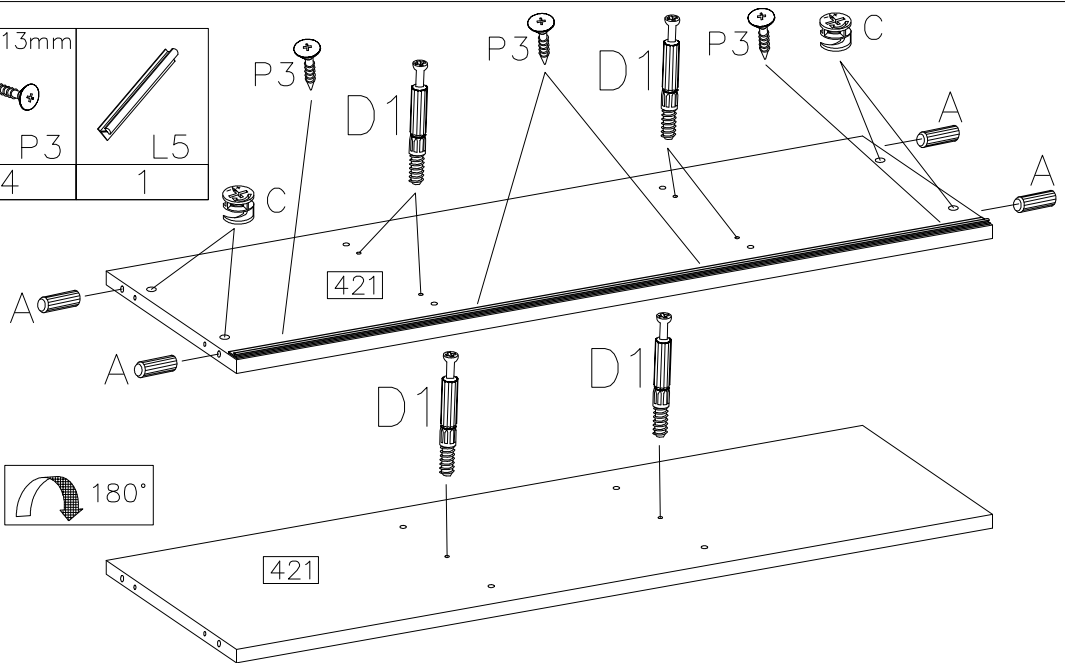
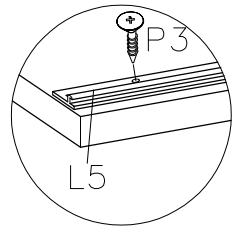
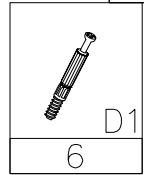
3

	∅15/12mm
C	
16	
	
D1	
10	
	∅8x30mm
A	
20	







4

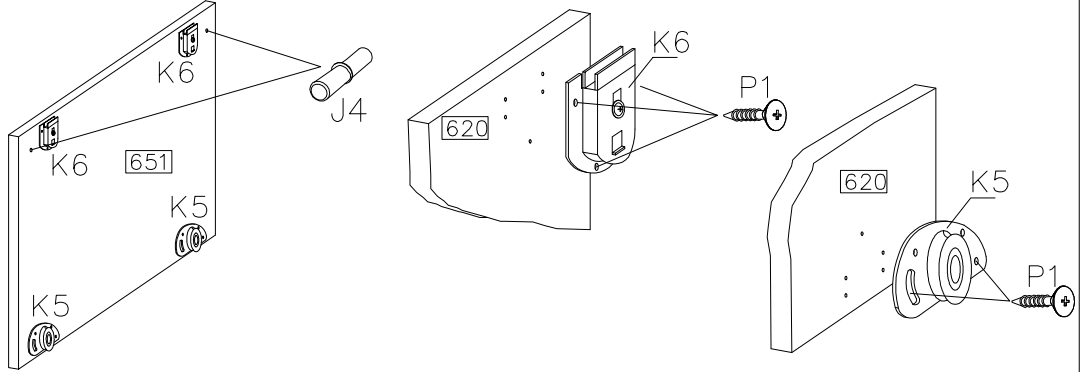
 ø15/12mm C 4	 ø8x30mm A 4	 3.0x13mm P3 4	 L5 1
--	---	---	---




5

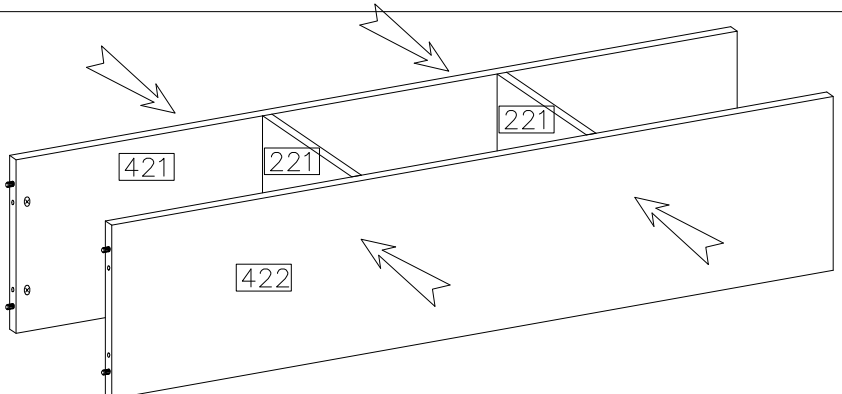
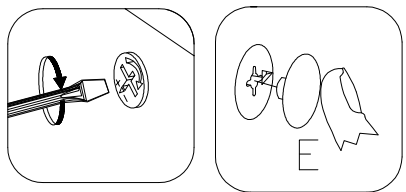
 K5 2	 K6 2
--	--

 ø4.0x16mm P1 10	 J4 2
---	--




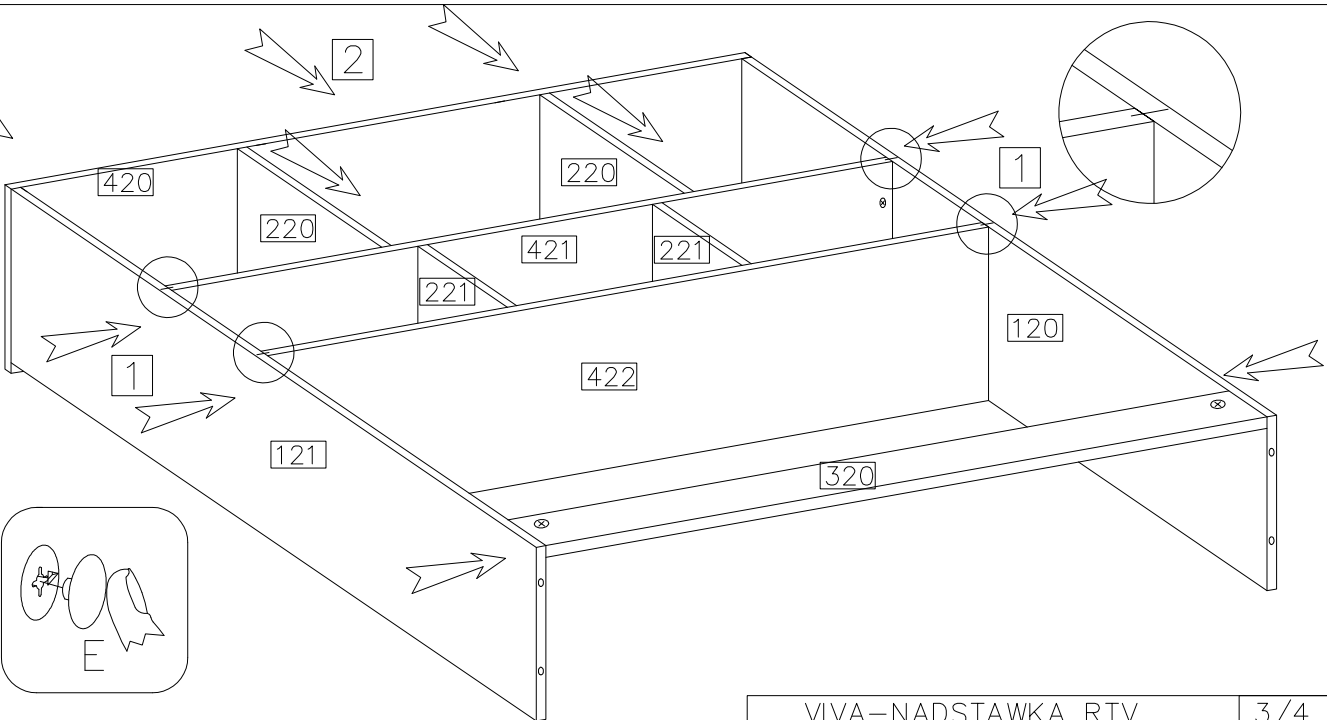
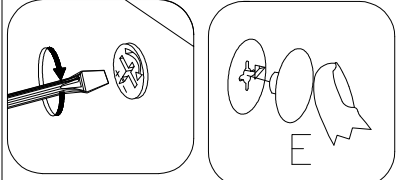
6

 E 4



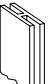


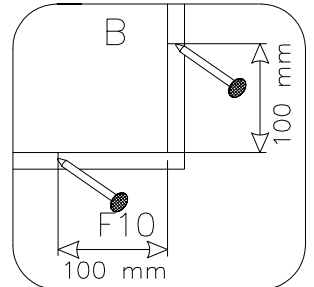
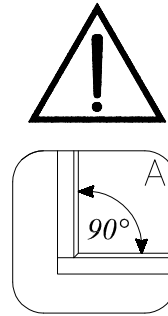
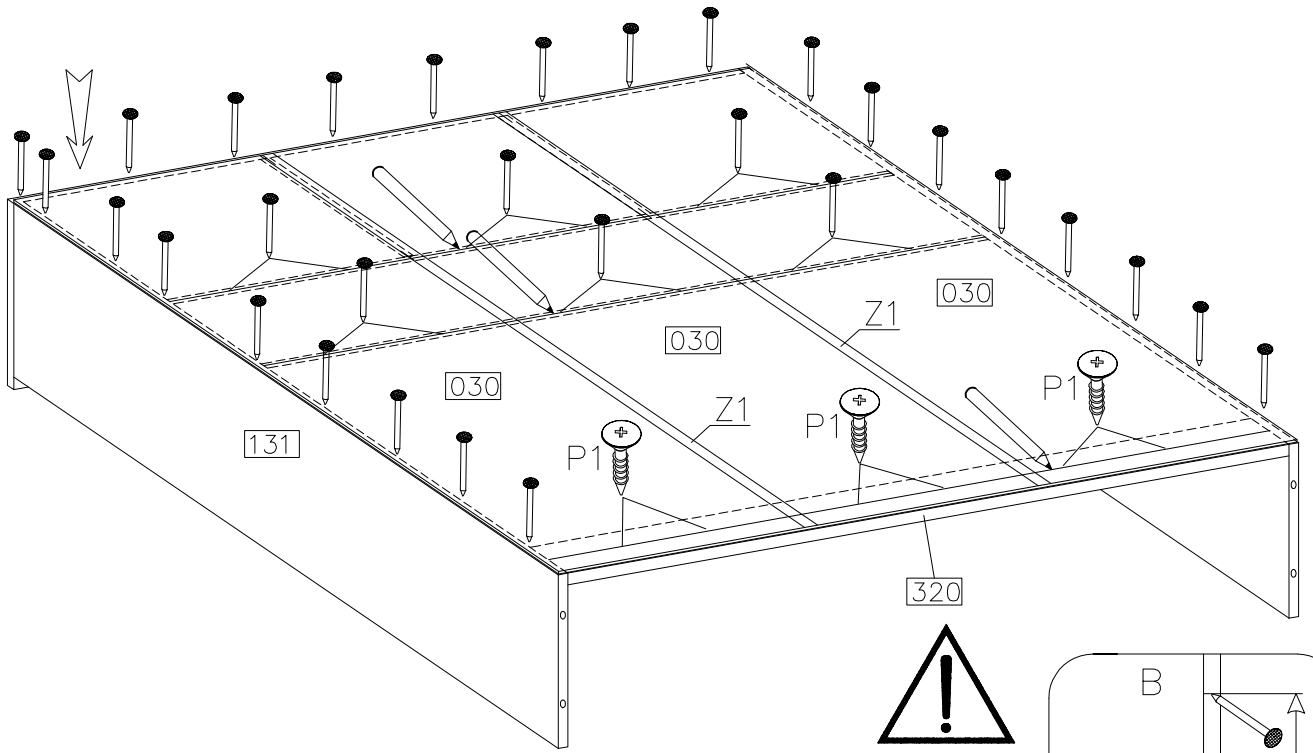
7

 E 20
--

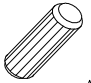

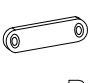


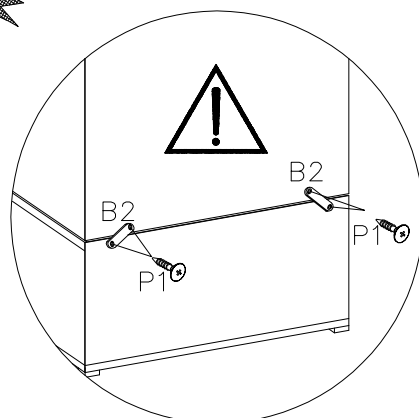
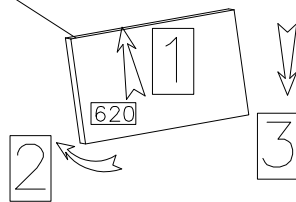
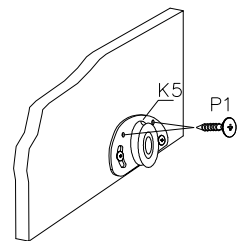
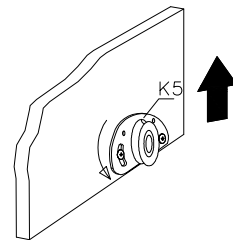
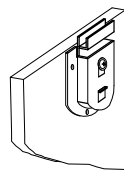
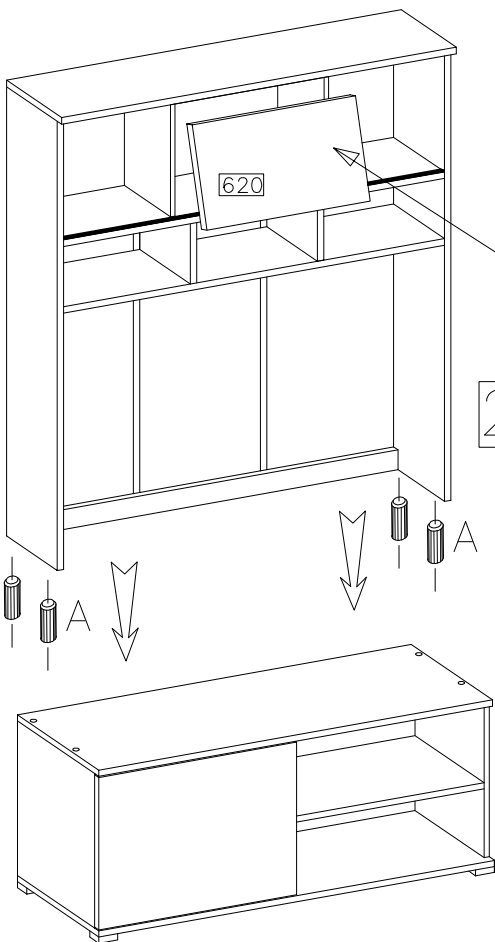
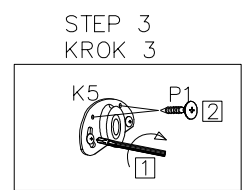
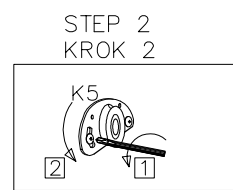
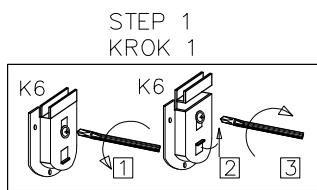
8

-  F10
- 50
ø4.0x16mm
-  P1
- 6
-  Z1
- 2

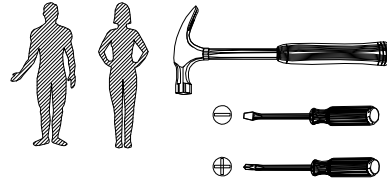
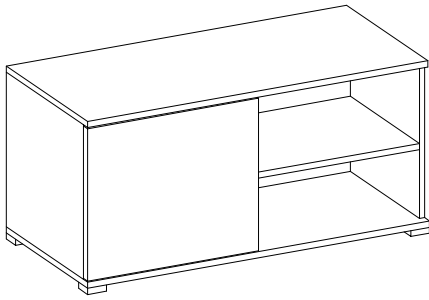


9

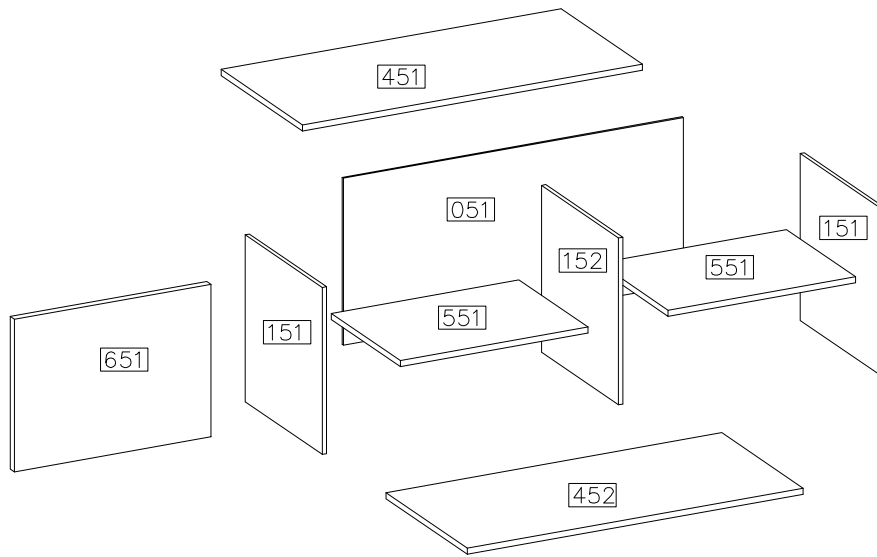
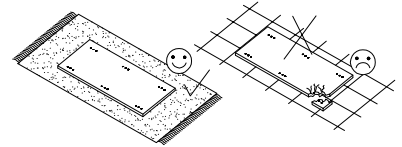
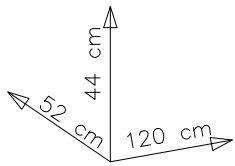
- | | | |
|--|--|---|
|  ø8x30mm
A |  4.0x16mm
P1 | 
B2 |
| 4 | 4 | 2 |



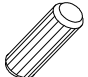


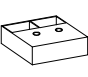






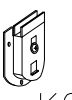


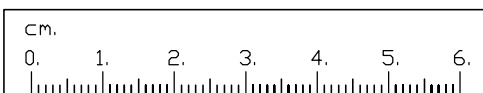
VIVA SPÓD RTV



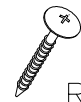
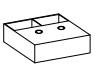
#	ART. NR	QUANTITY
1	451	1
2	452	1
3	151	2
4	152	1
5	551	2
6	651	1
7	051	1

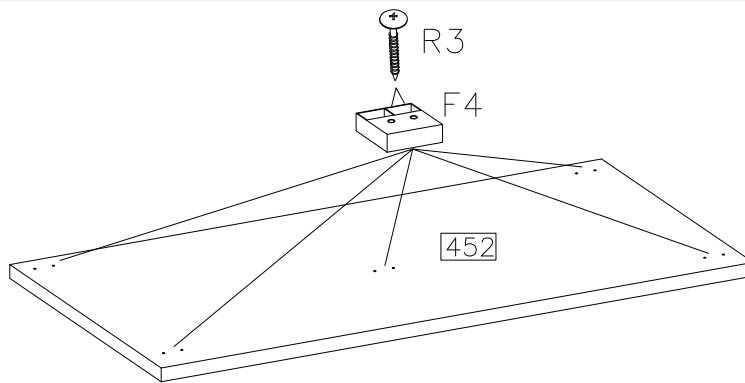


 D1	 C	 A	 E	 R3	 F4	 F10
12	12	18	12	10	5	30
 P1	 J4	 P3	 L5	 K5	 K6	
14	10	8	2	2	2	






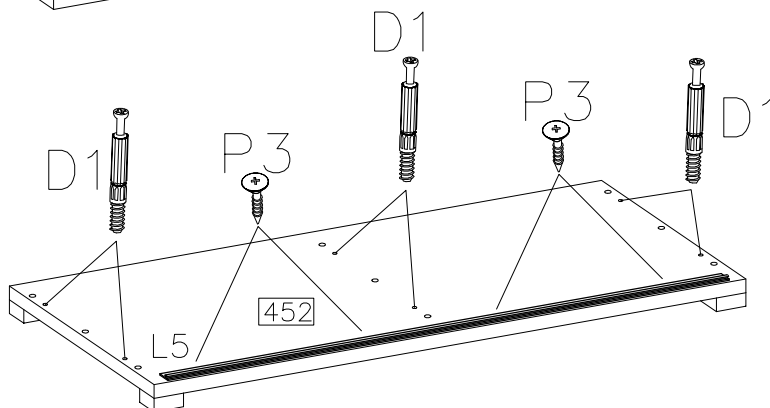
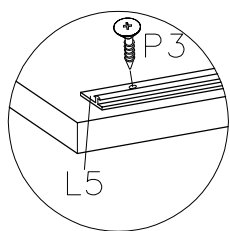
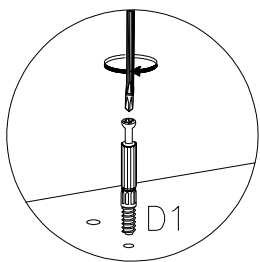
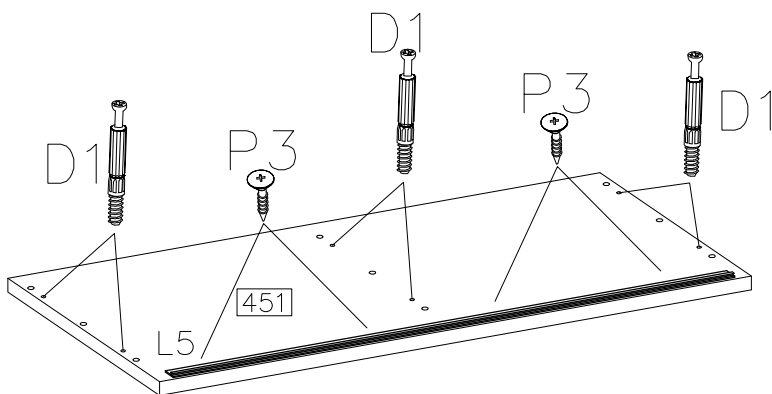
1

4.0x35mm		
	R3	F4
10		5

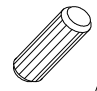
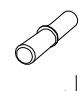



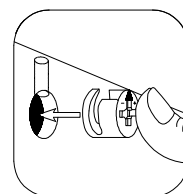
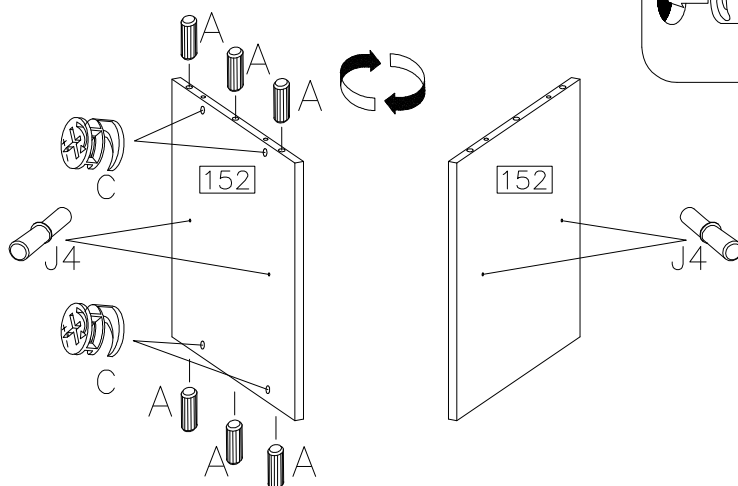
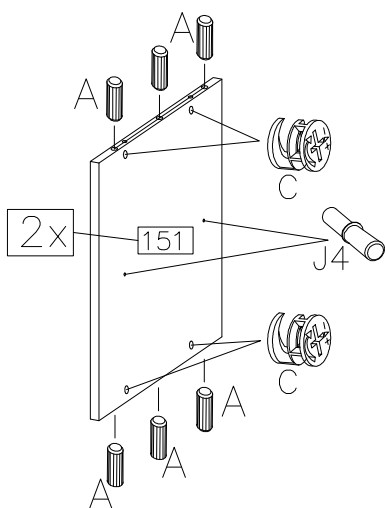
2

	3.0x13mm		
D1		P3	L5
12		8	2

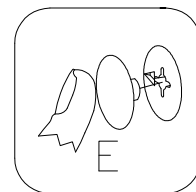
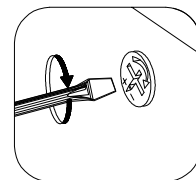
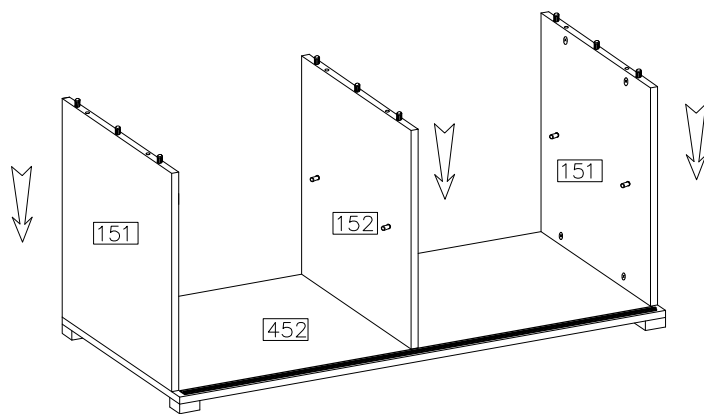
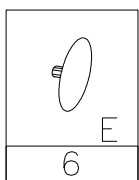


3

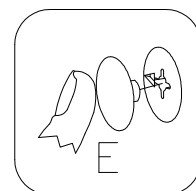
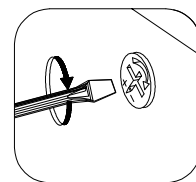
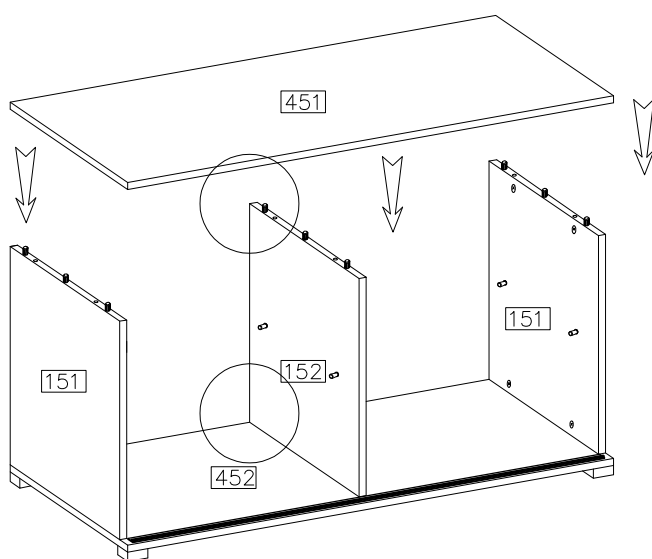
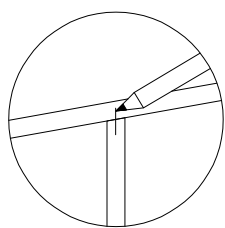
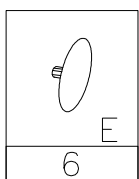
∅8x30mm		A
18		
	J4	
8		
∅15/12mm		C
12		



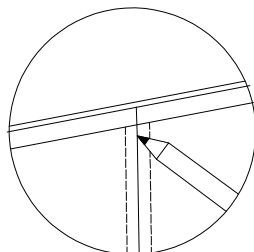
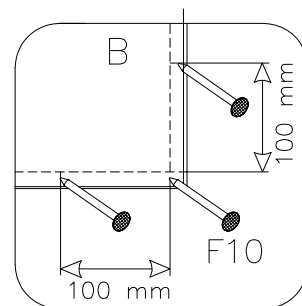
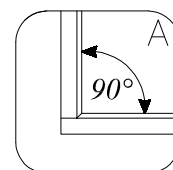
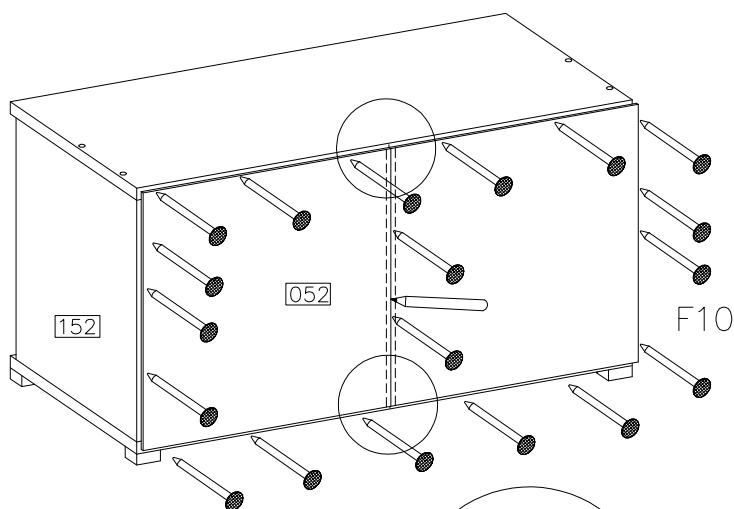
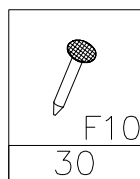
4




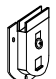


5

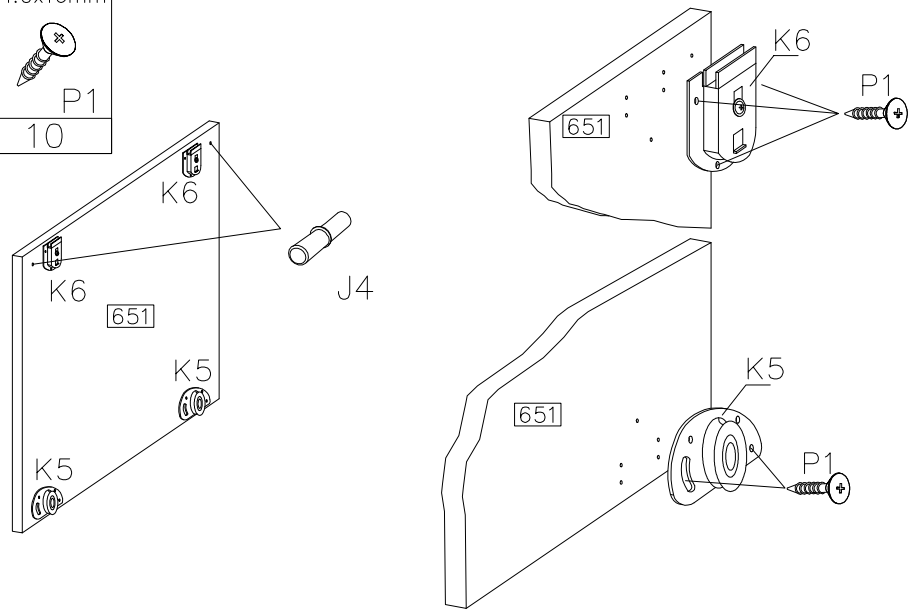


6

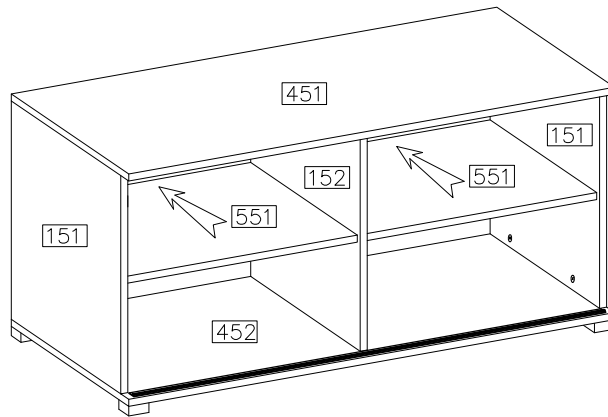


7

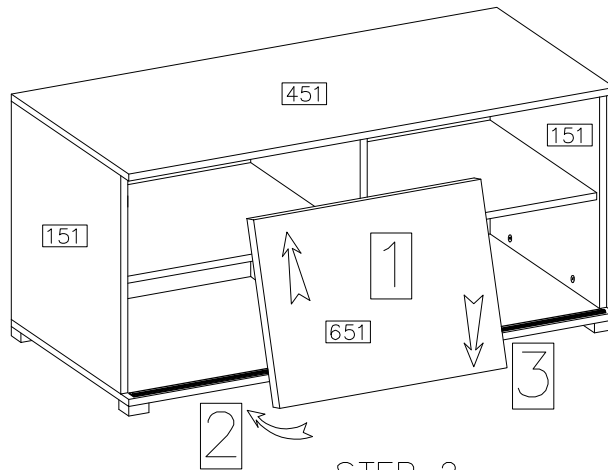
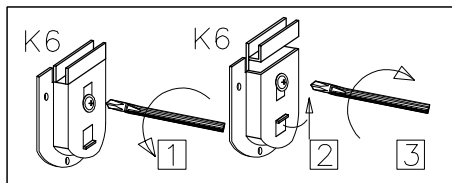
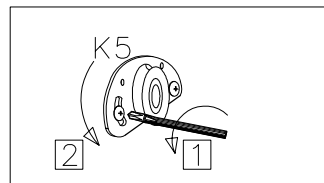
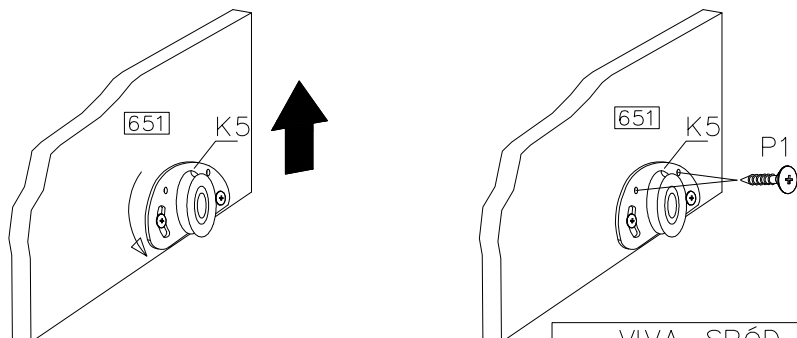
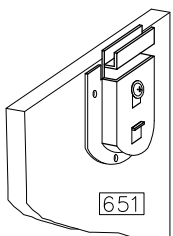
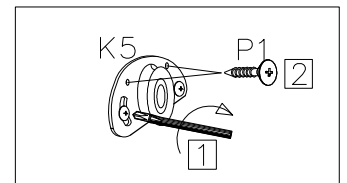
		ø4.0x16mm 
K5	K6	P1
2	2	10
		
J4		
2		



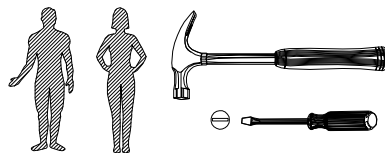
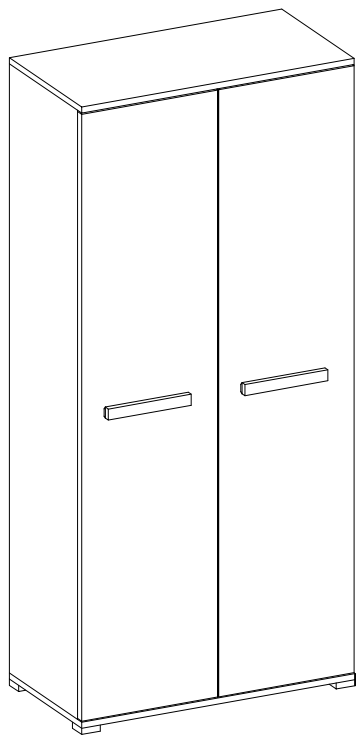
8



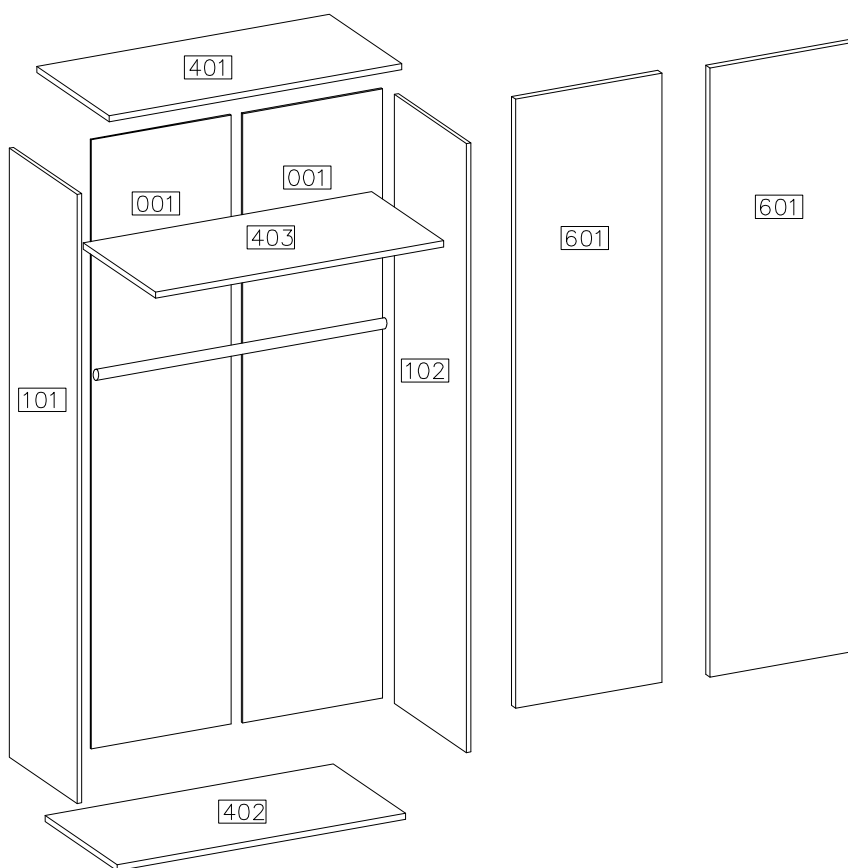
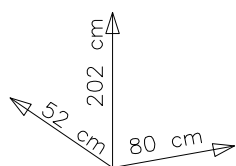
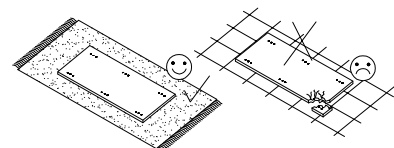
9



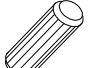

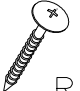
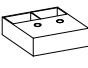



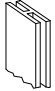



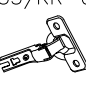
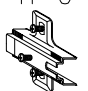
STEP 1
KROK 1STEP 2
KROK 2STEP 3
KROK 3

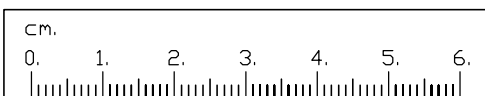
VIVA SZAFKA



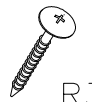
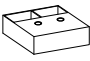
#	ART. NR	QUANTITY
1	401	1
2	402	1
3	403	1
4	101	1
5	102	1
6	001	2
7	601	2

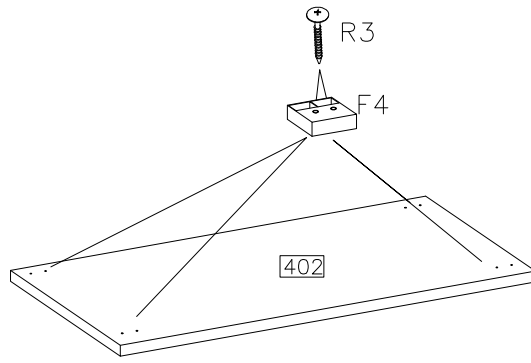


								
D1	C	A	E	R3	F4	F10	S1	R2
12	12	16	12	8	4	60	2	4
								
Z1	O10	O12	P1	G6	H4			
1	2	1	16	6	6			




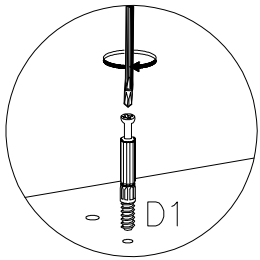
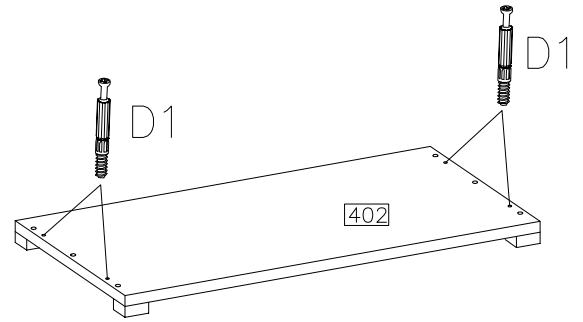
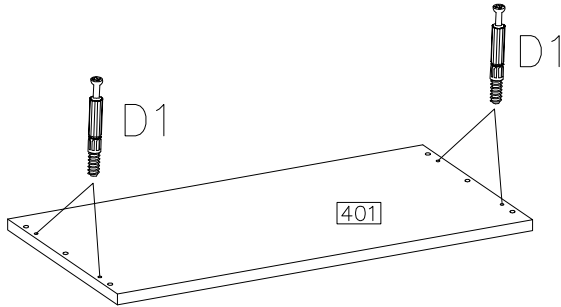
1

4.0x35mm		
	R3	F4
8		4


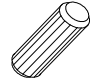


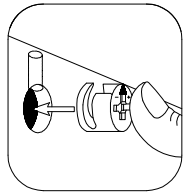
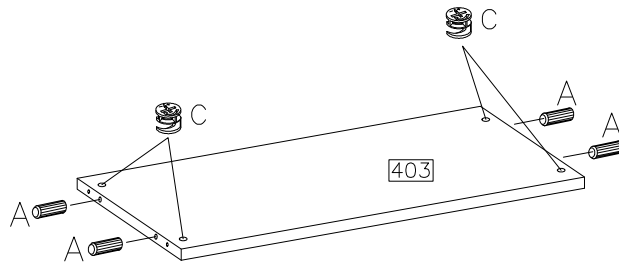
2

	D1
8	







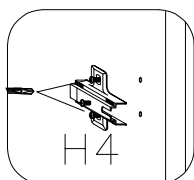
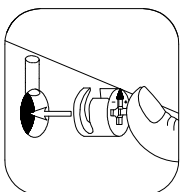
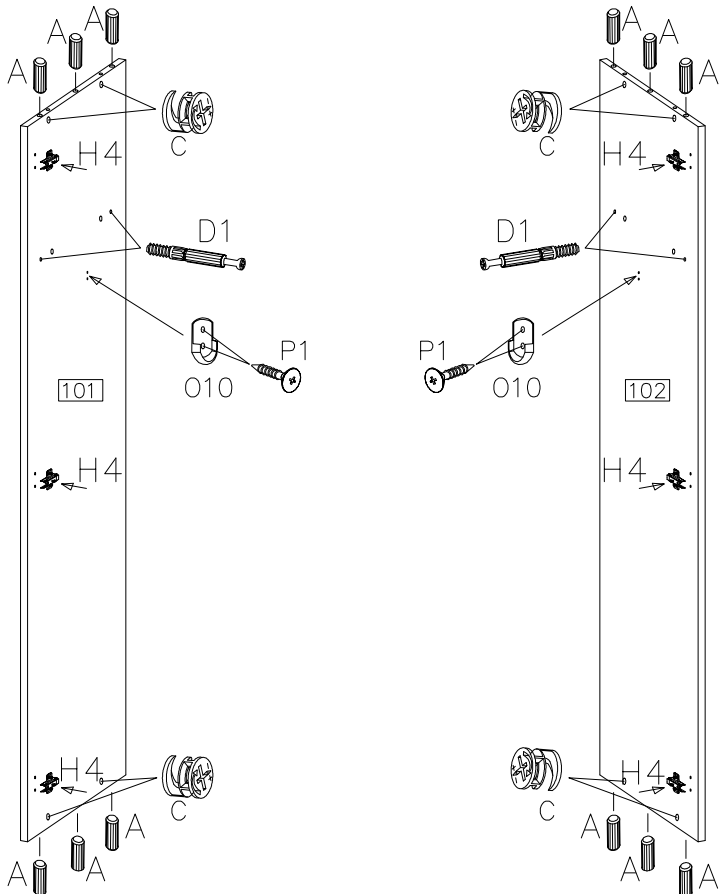
3

$\varnothing 15/12\text{mm}$	$\varnothing 8 \times 30\text{mm}$
	
C	A
4	4

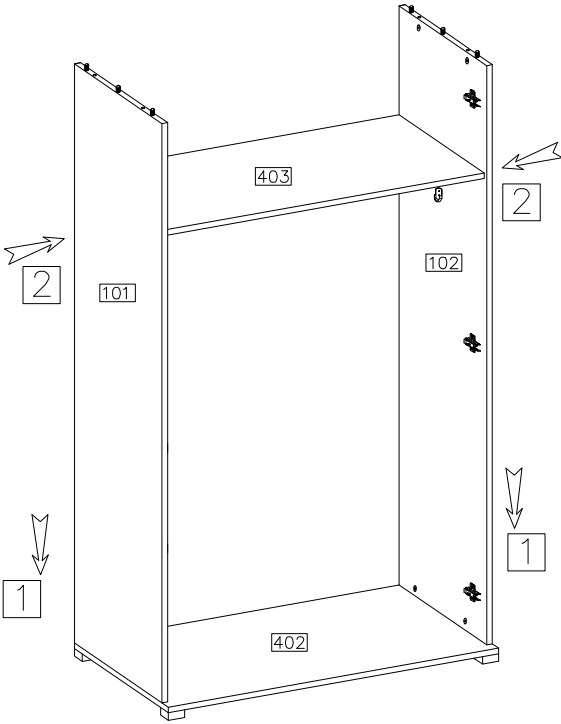
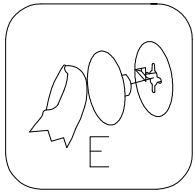
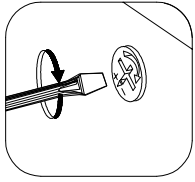
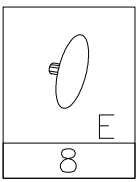


4

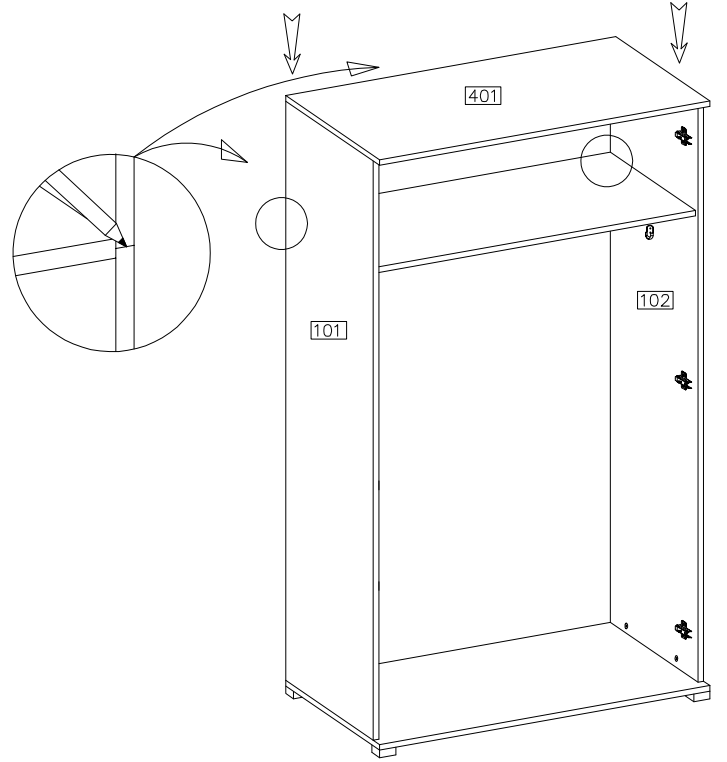
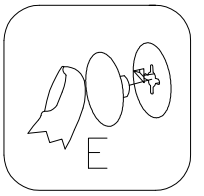
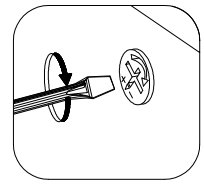
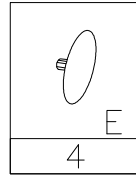
	$\varnothing 8 \times 30\text{mm}$
D1	A
4	12
	H=0
O10	H4
2	6
$\varnothing 15/12\text{mm}$	$\varnothing 4.0 \times 16\text{mm}$
	
C	P1
8	4



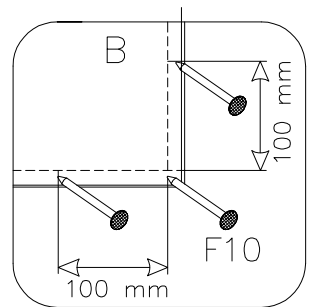
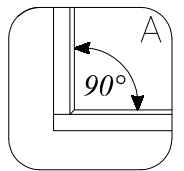
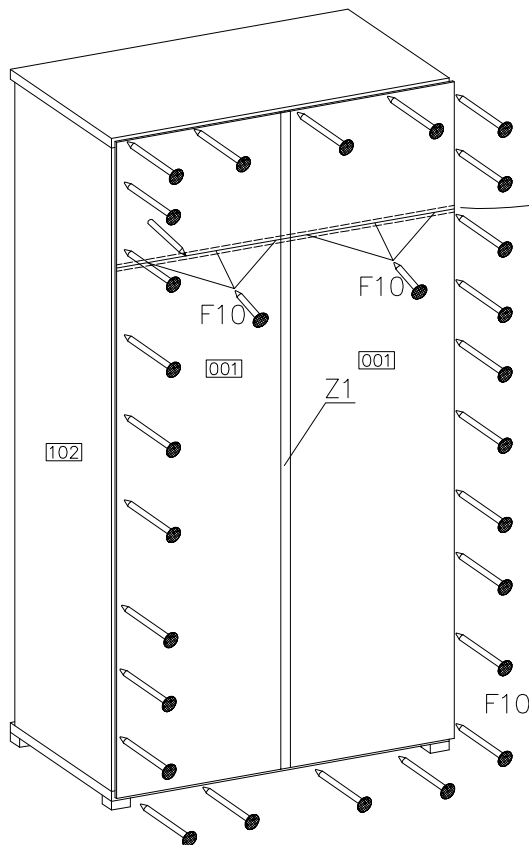
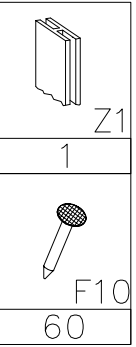
5



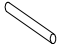




6

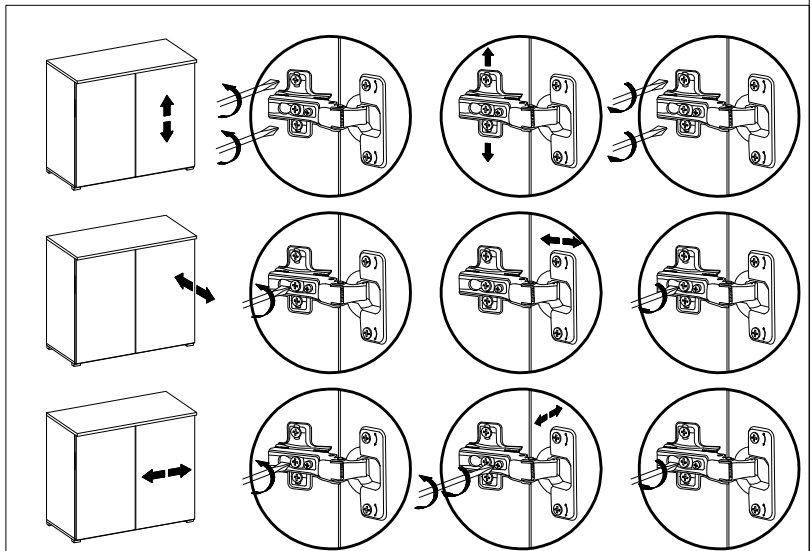
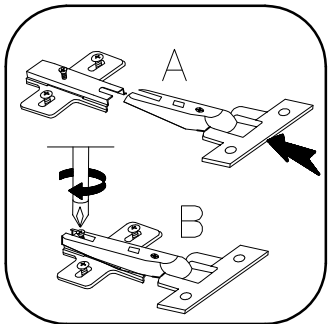
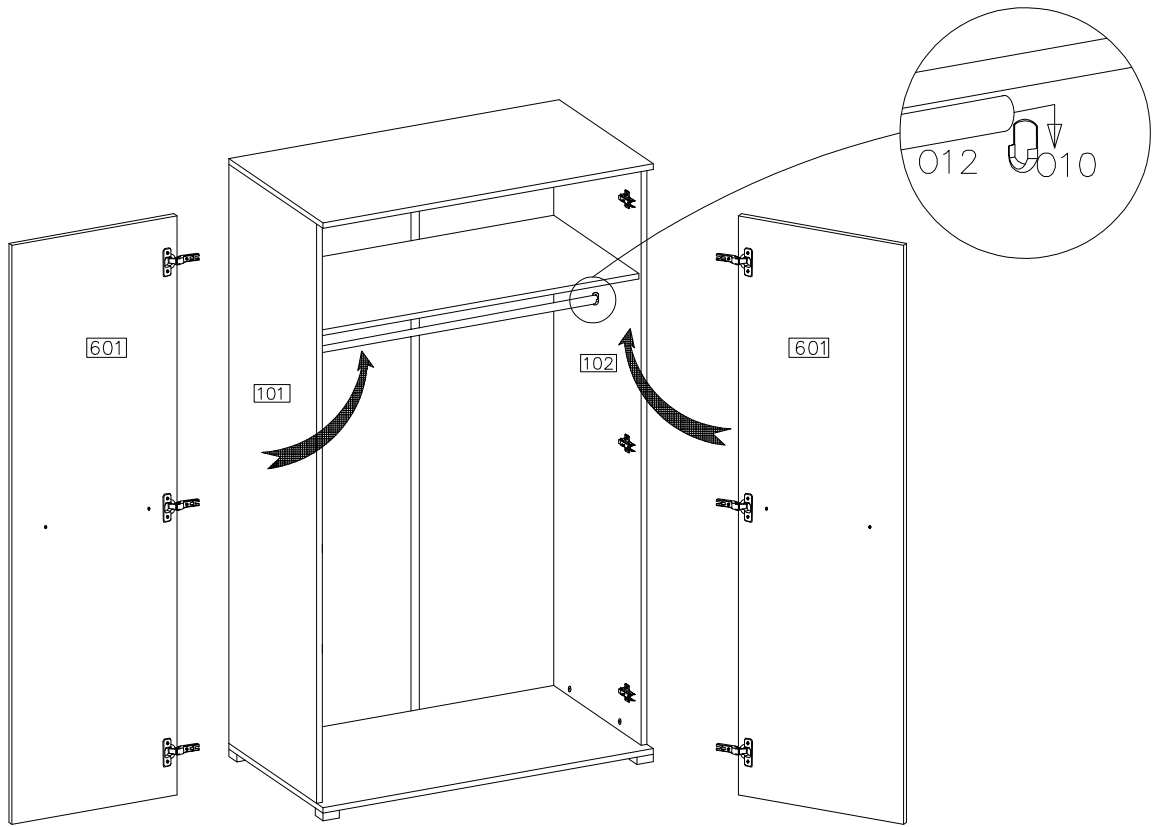
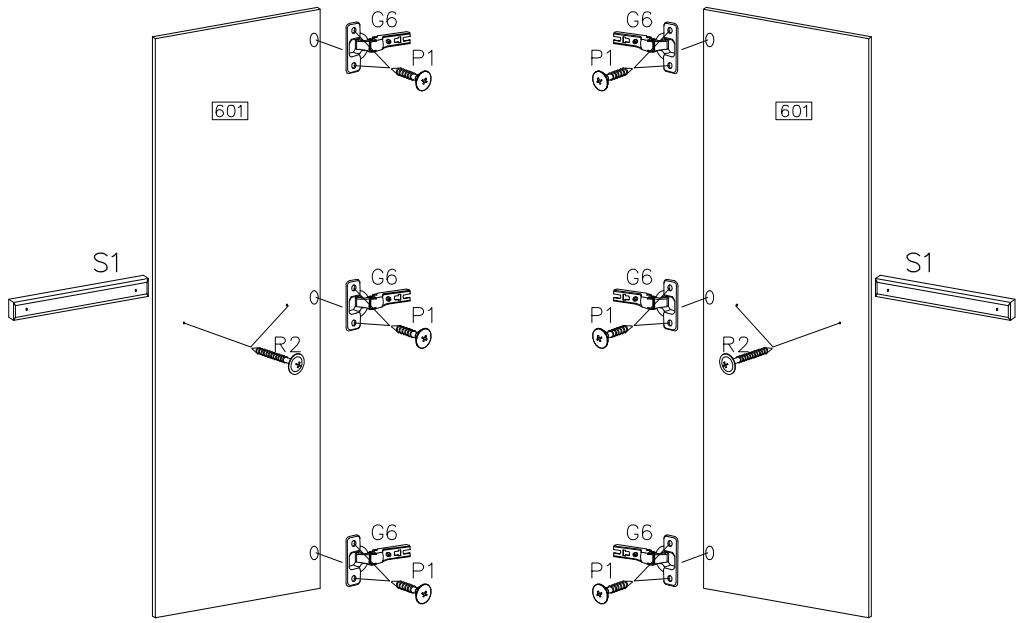


7

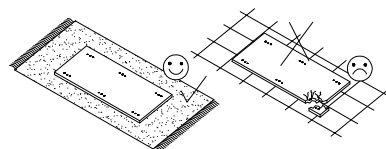
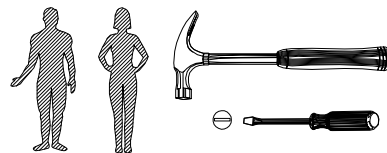
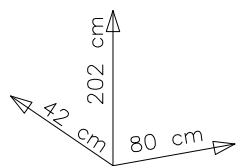
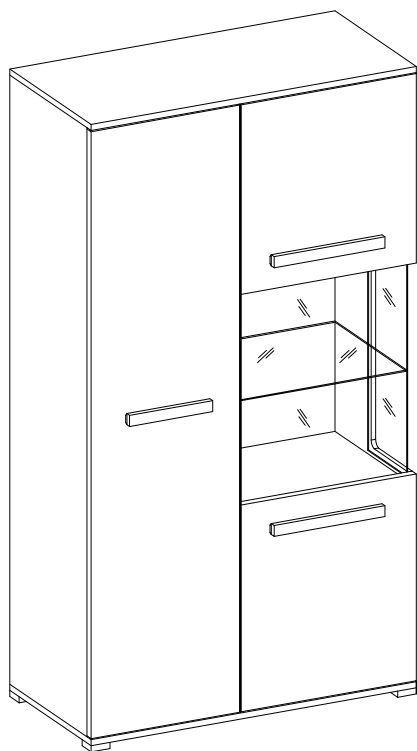


8

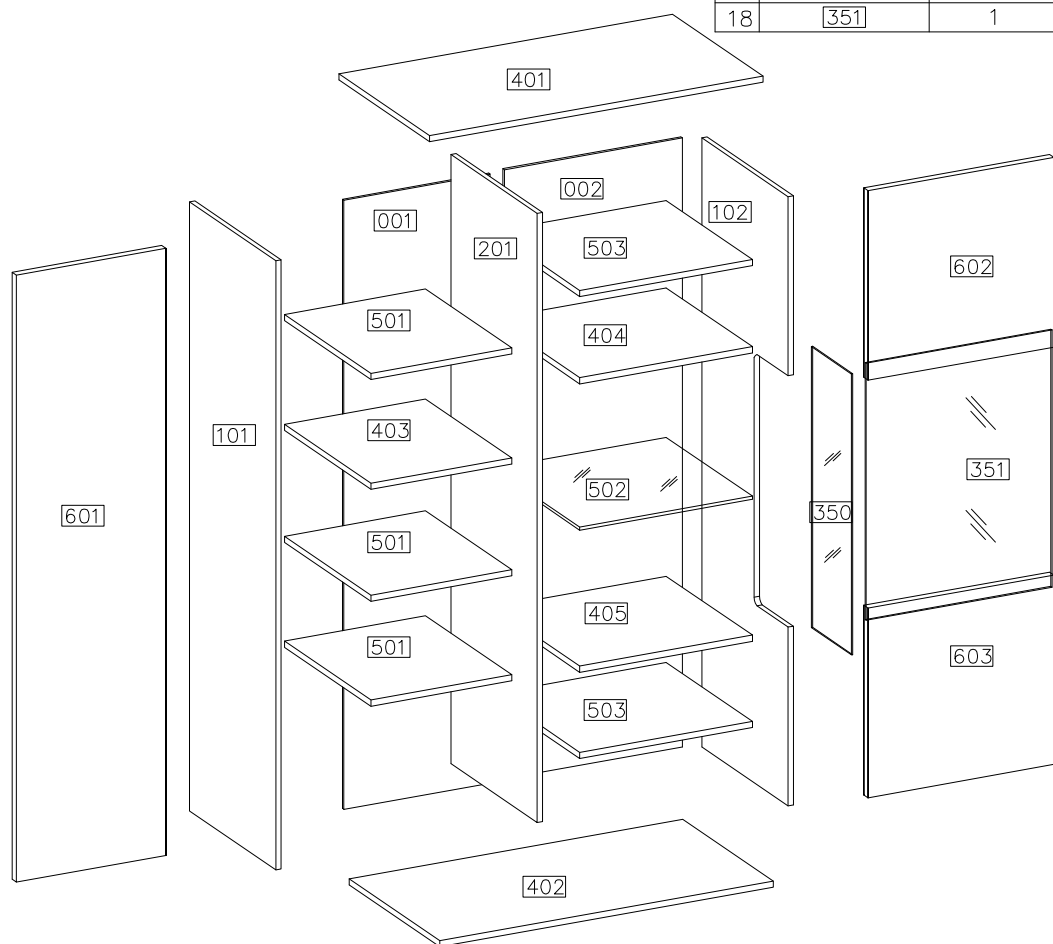
-  O12
- 1
4.0x27mm
-  R2
- 4
-  S1
- 2
ø35/KR-0
-  G6
- 6
ø4.0x16mm
-  P1
- 12



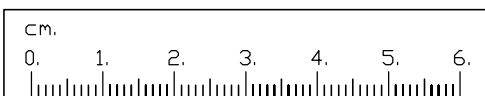
VIVA WITRYNA



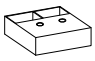
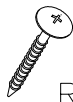
#	ART. NR	QUANTITY
1	401	1
2	402	1
3	403	1
4	404	1
5	405	1
6	101	1
7	102	1
8	201	1
9	501	3
10	502	1
11	503	2
12	601	1
13	602	1
14	603	1
15	001	1
16	002	1
17	350	1
18	351	1

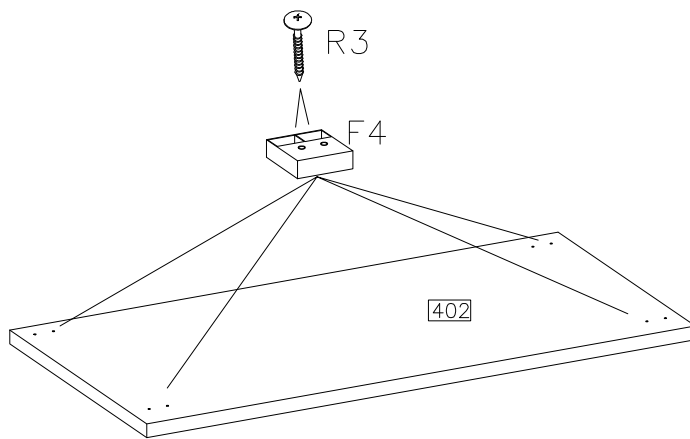


D1	C	E	A	H4	G6	P1	S1	R2	J8	P8
24	24	24	24	7	7	16	1+2	6	6	6
R3	F4	F10	U	J4	J5	J6	F8			
8	4	100	2	20	2	2	10			




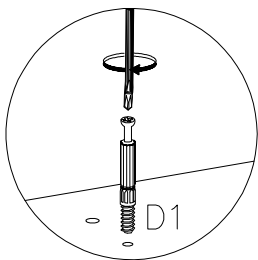
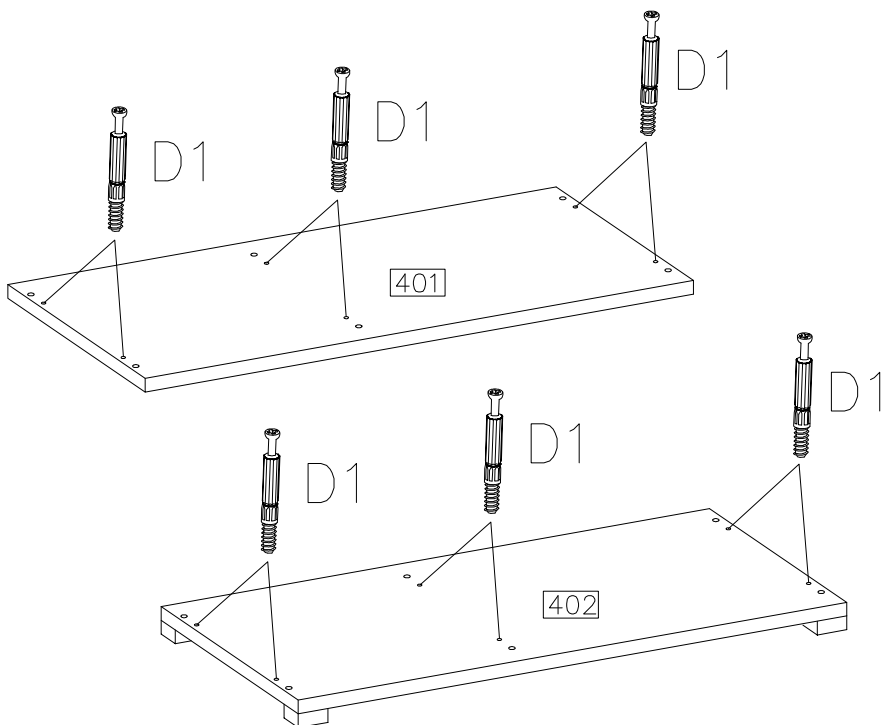
1

4.0x35mm	
	F4
8	4


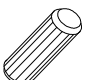


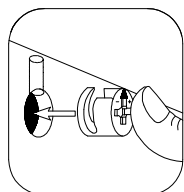
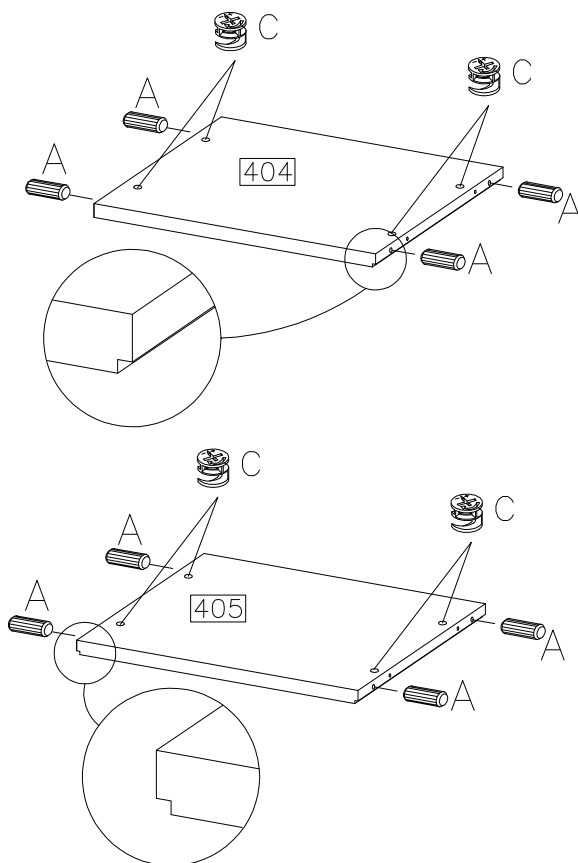
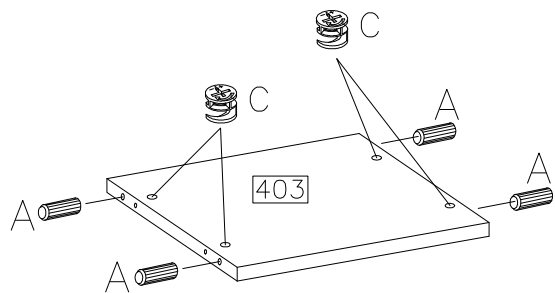
2


D1
12


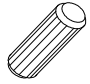



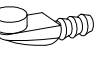
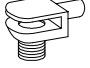


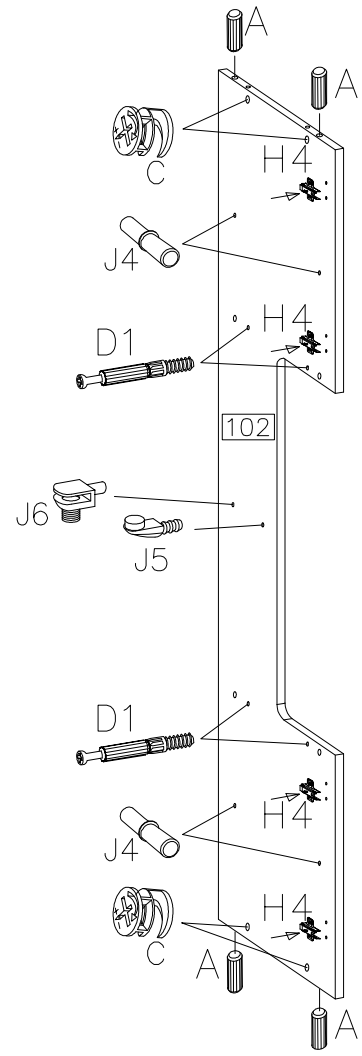
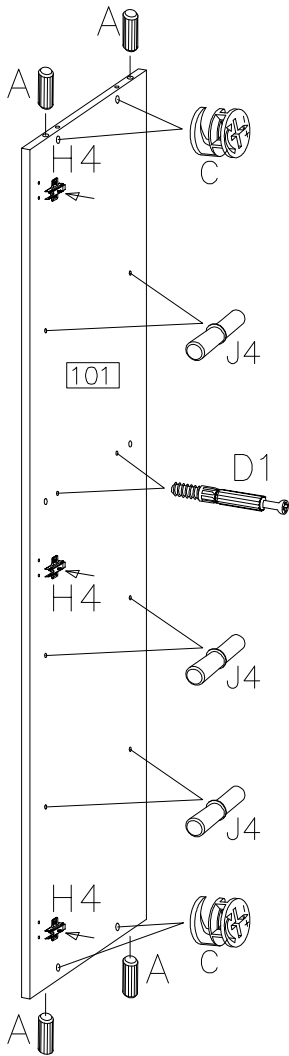
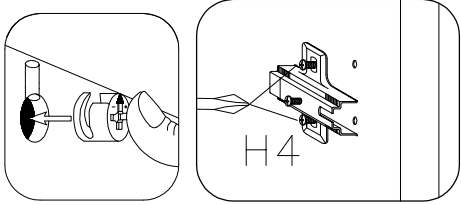
3

ø15/12mm	ø8x30mm
	
C	A
12	12


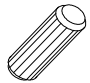






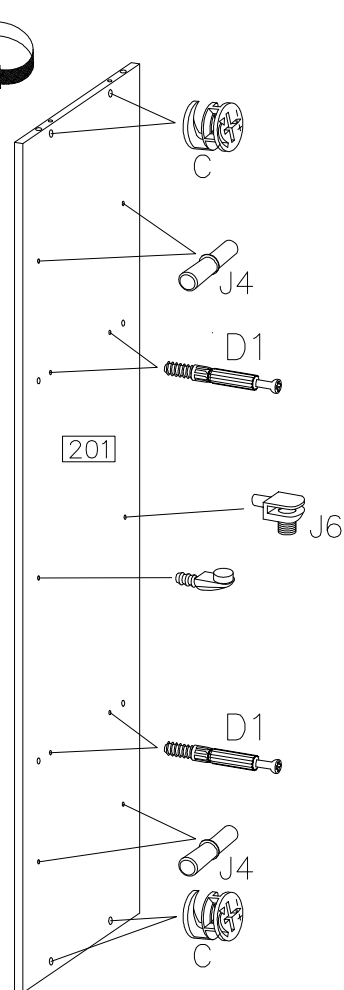
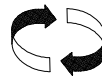
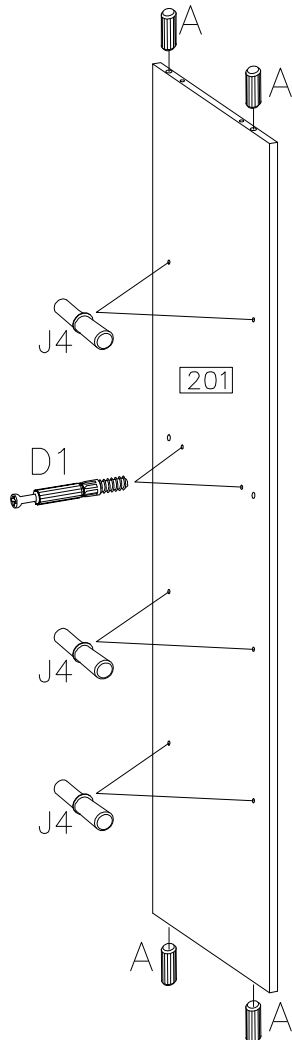
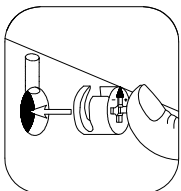
4

 D1	 A ø8x30mm
6	8
 C	 H4 H=0
8	7
 J4	
10	
 J5	 J6
1	1

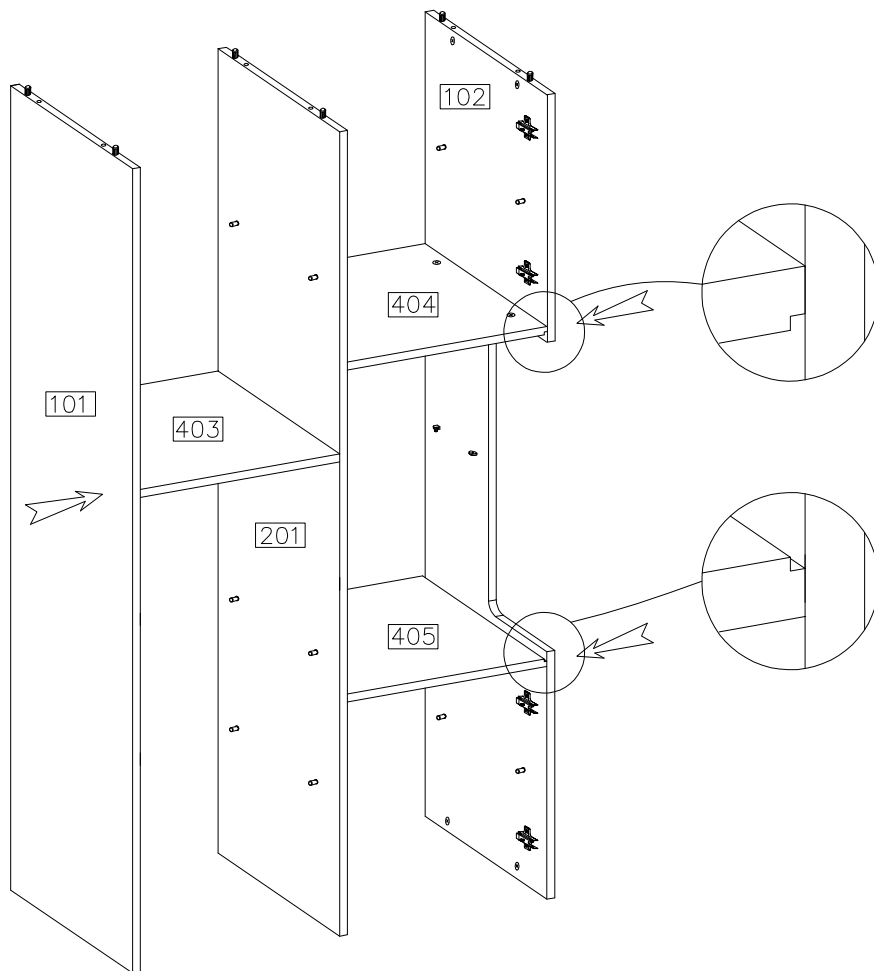
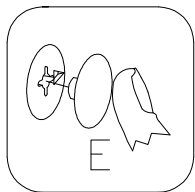
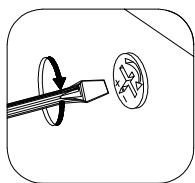
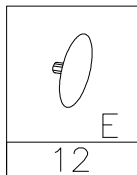


5

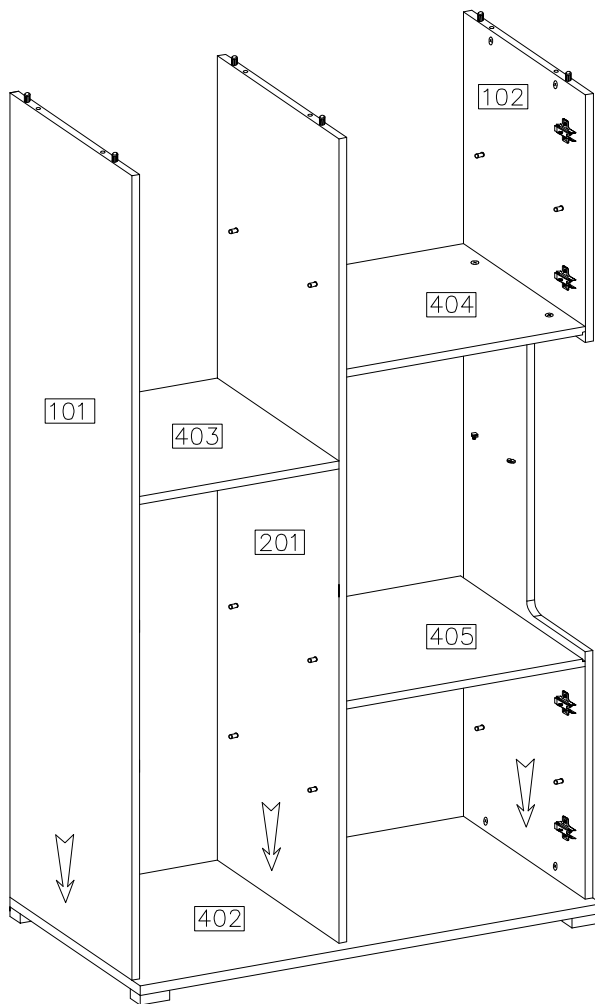
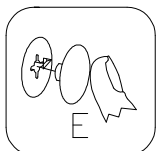
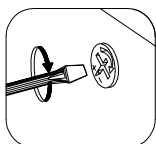
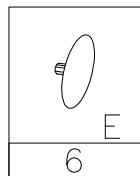
 D1	 A ø8x30mm
6	4
 C	 J4
4	10
 J5	 J6
1	1



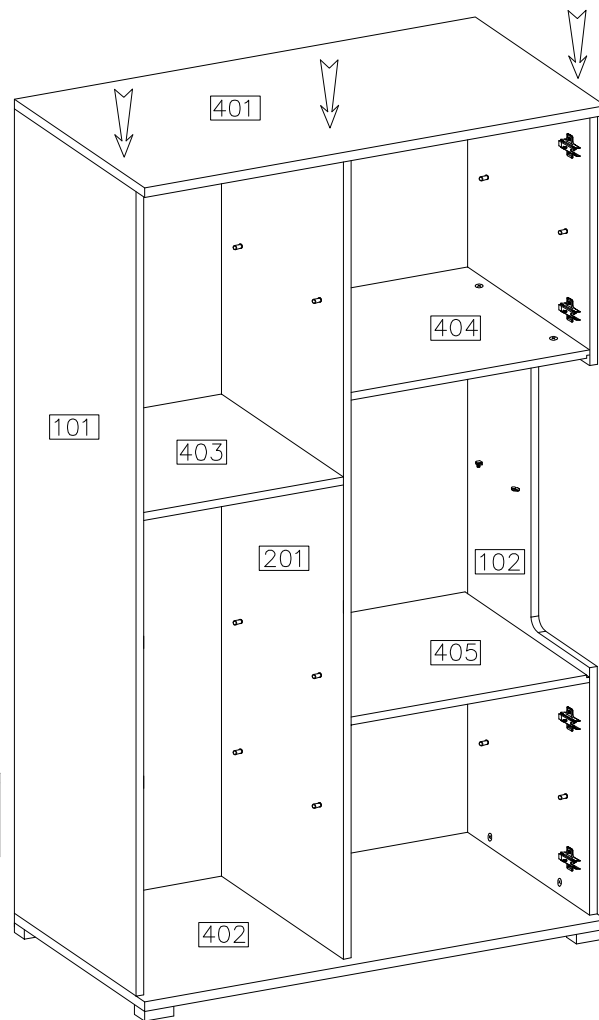
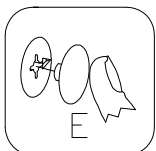
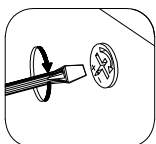
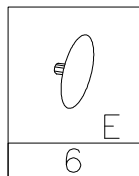
6



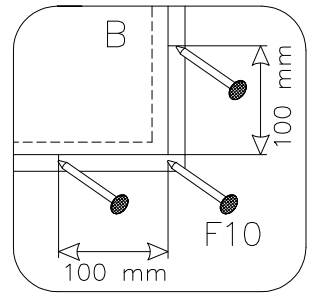
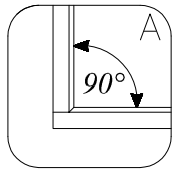
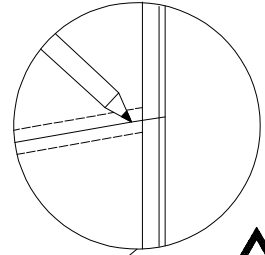
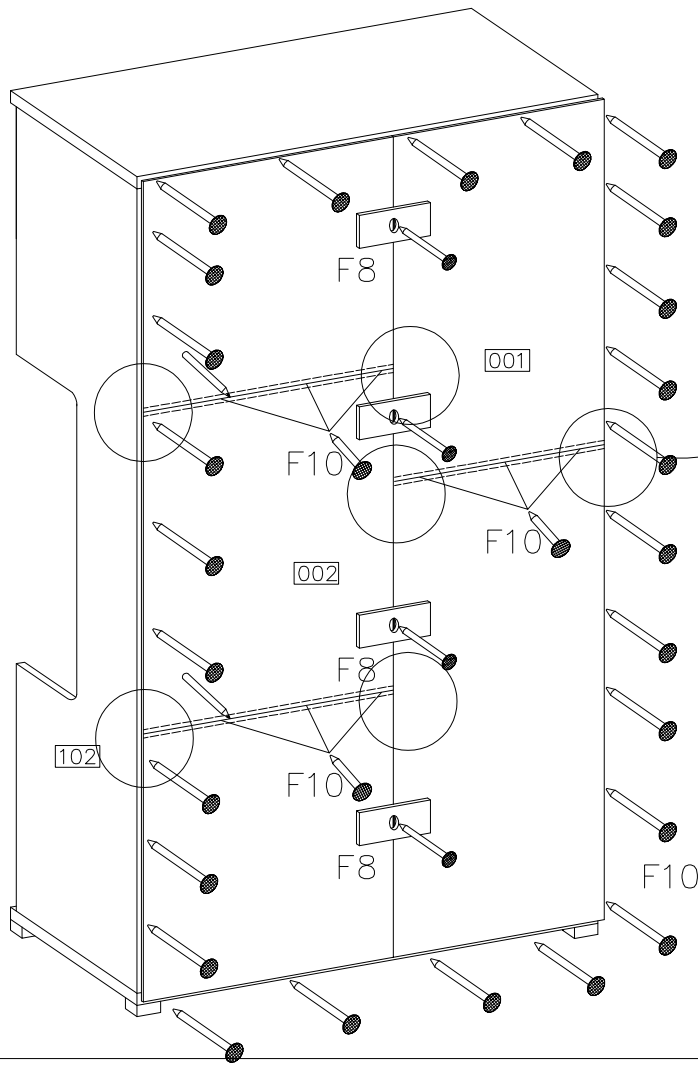
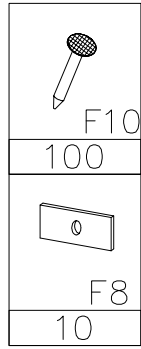
7



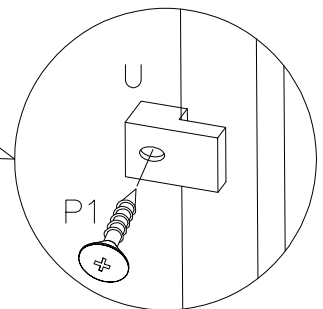
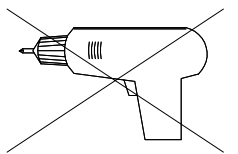
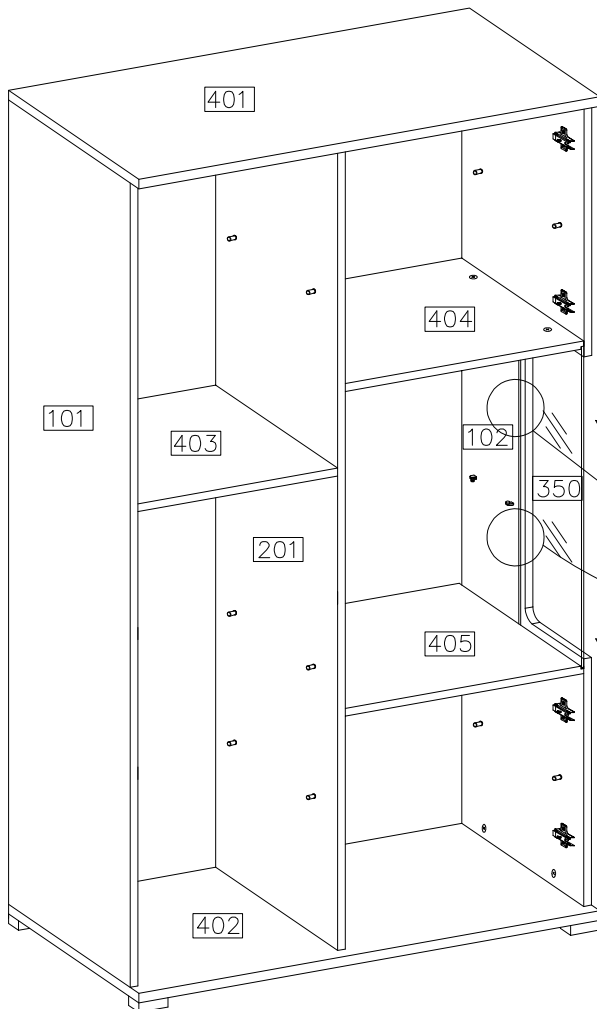
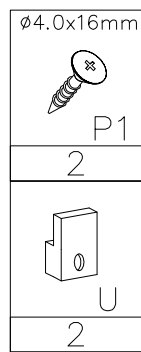
8

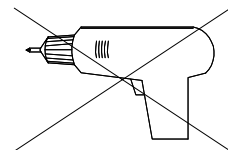
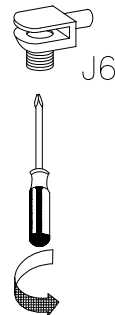
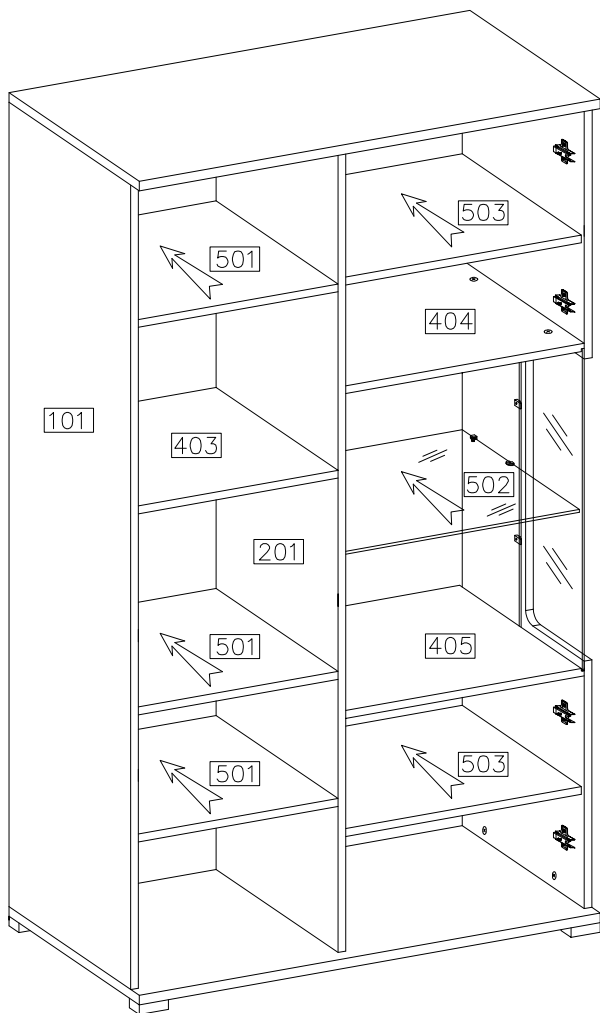


9



10



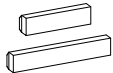


4.0x27mm



R2

6



S1

1+2

ø35/KR-0



G6

7

ø4.0x16mm



P1

14



J8

6

4.0x20mm



P8

6

