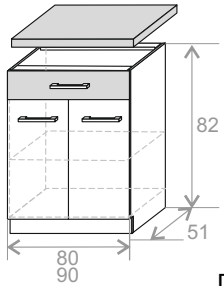
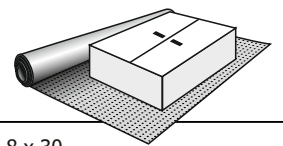
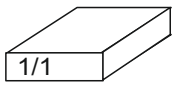
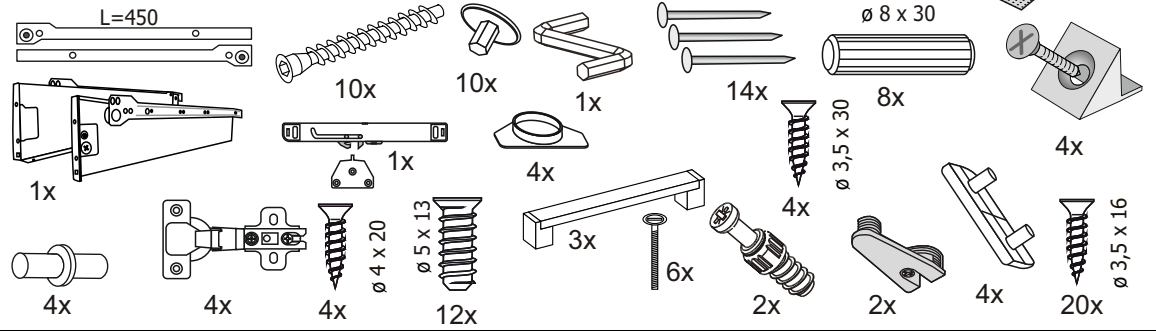


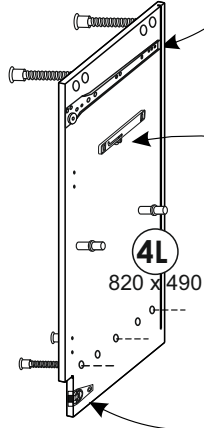
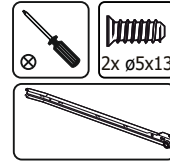
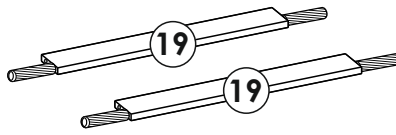
ECO / GLO / PRE
6D, 7D



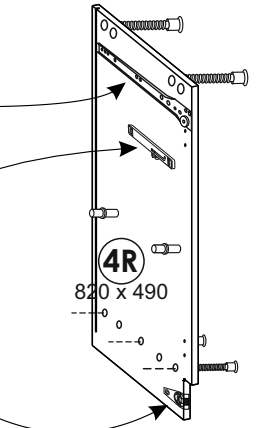
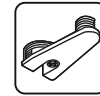
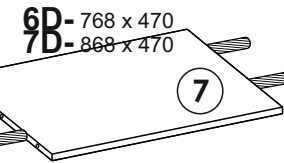
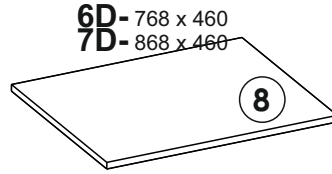
[cm]



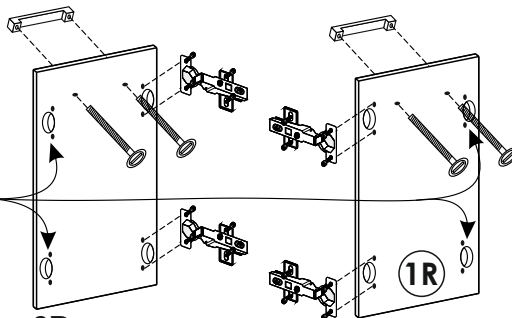
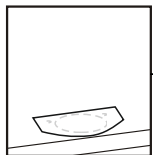
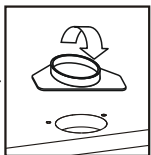
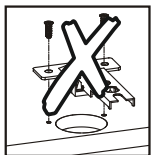
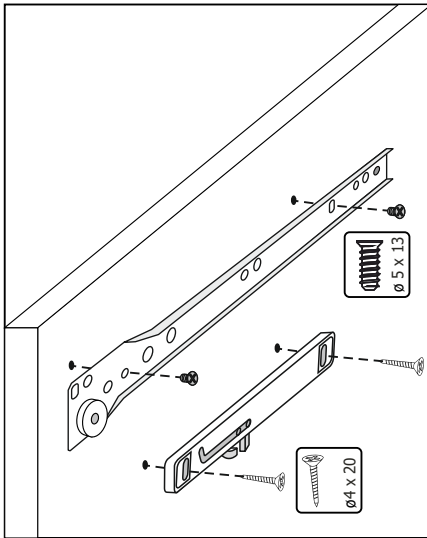
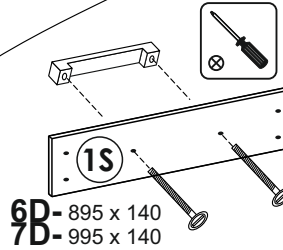
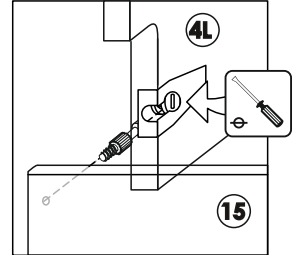
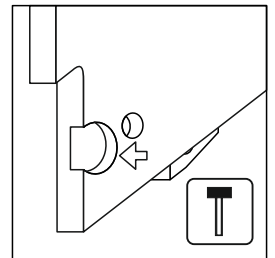
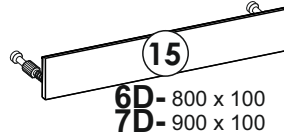
6B- 768 x 80
7B- 868 x 80



4L
820 x 490

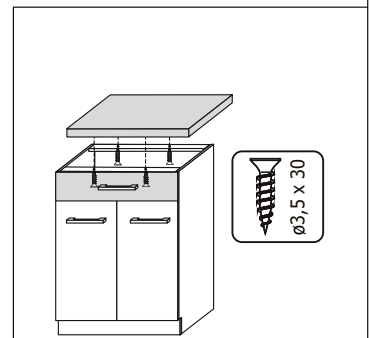


4R
820 x 490

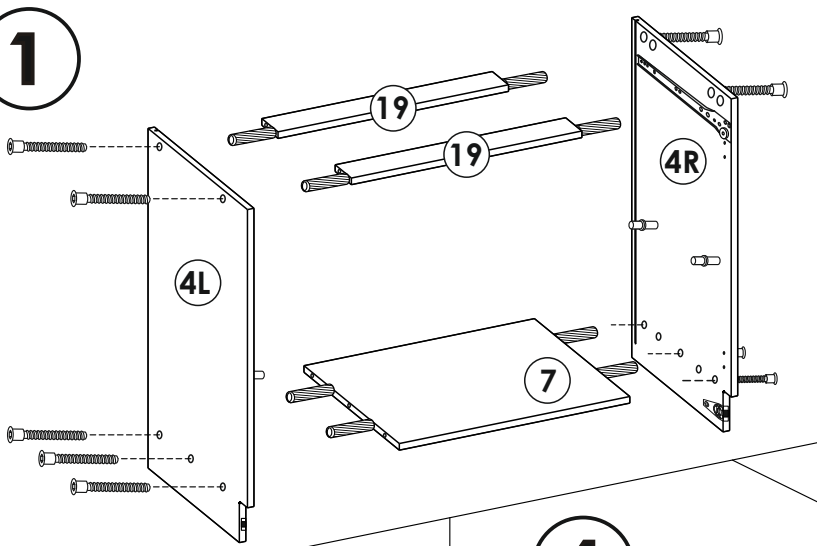


6D- 395 x 572
7D- 445 x 572

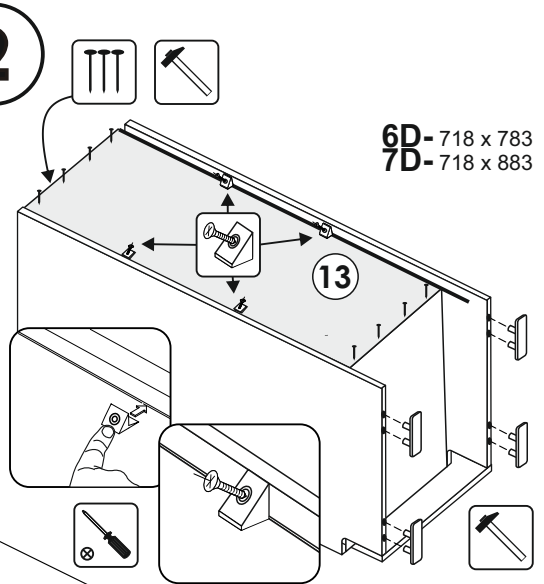
6D- 395 x 572
7D- 445 x 572



1

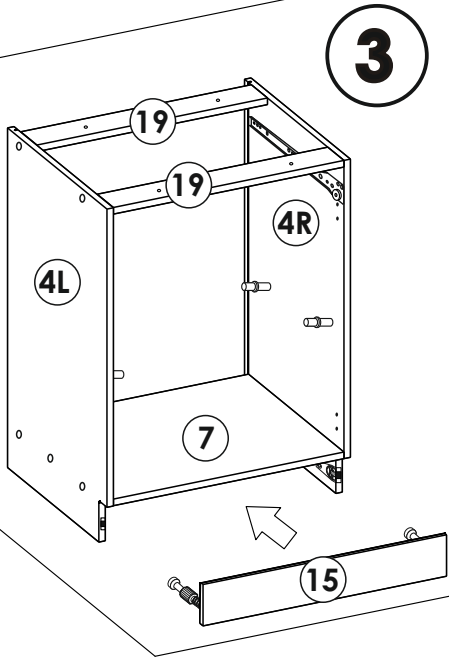


2

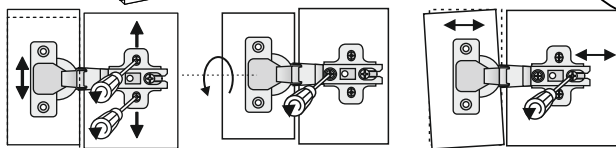
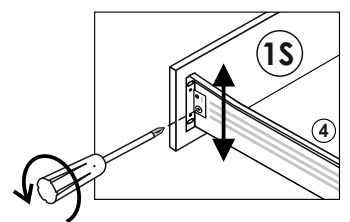
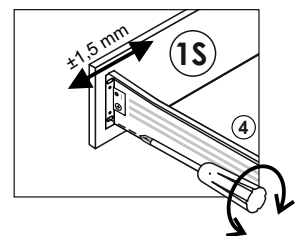
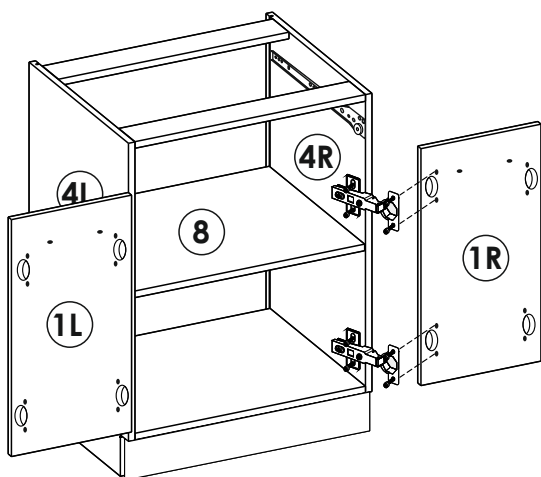
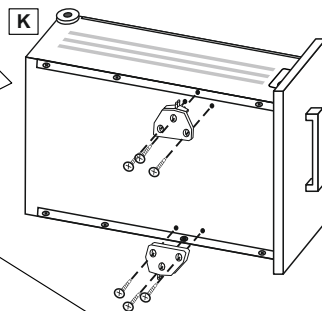
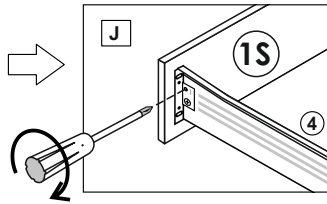
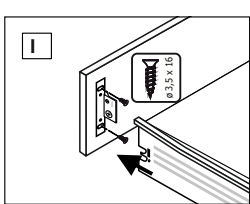
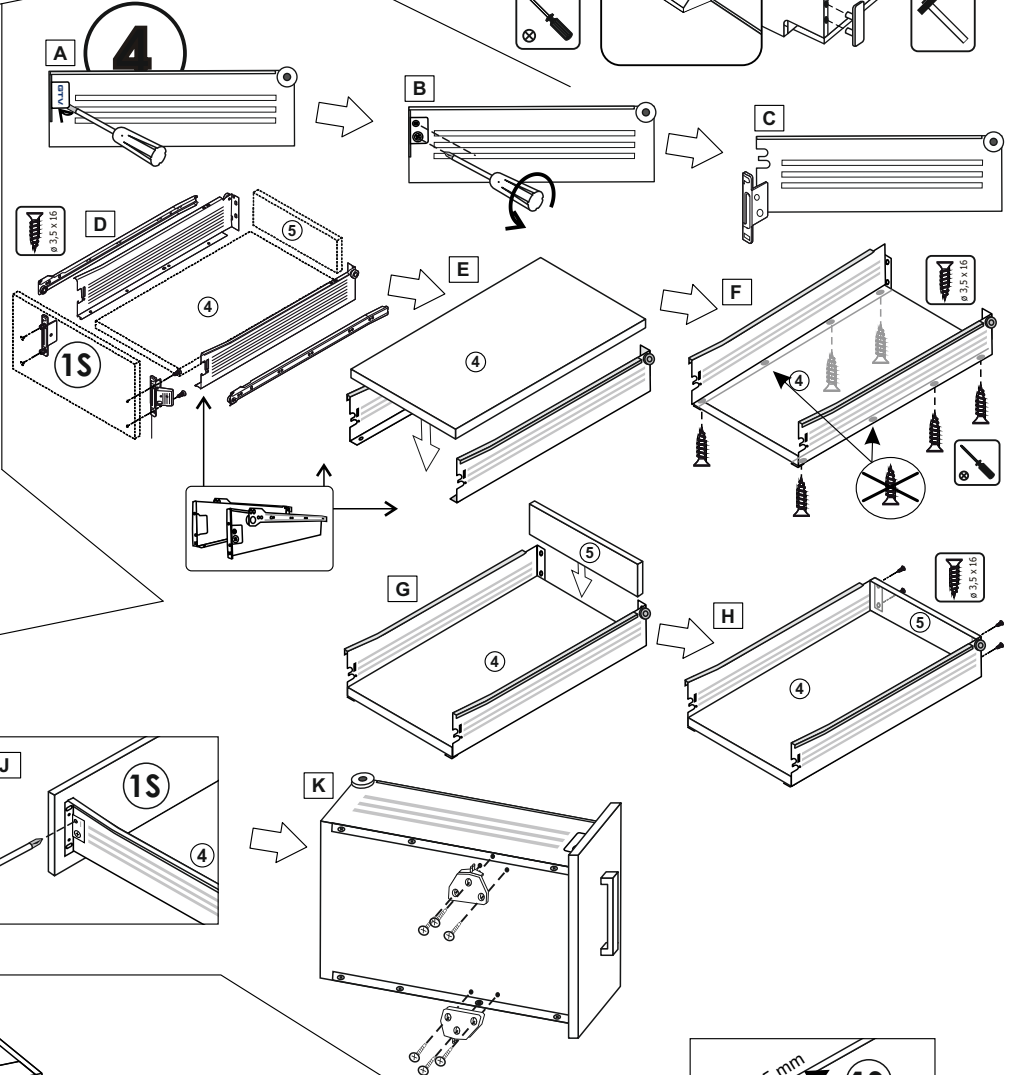


6D-718 x 783
7D-718 x 883

3



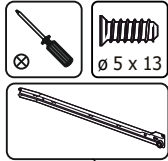
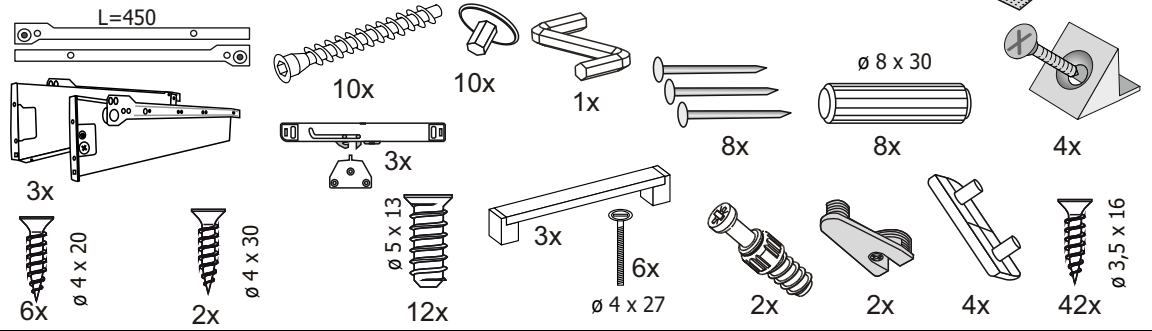
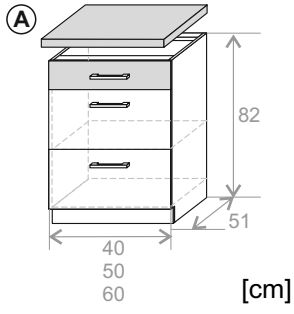
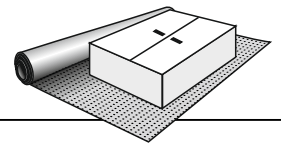
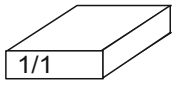
4



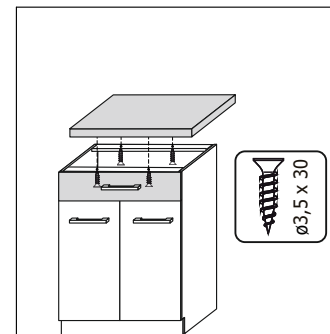
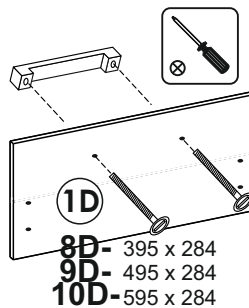
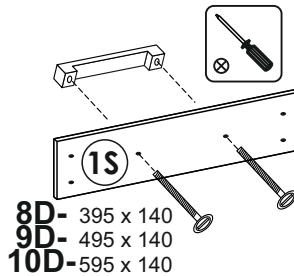
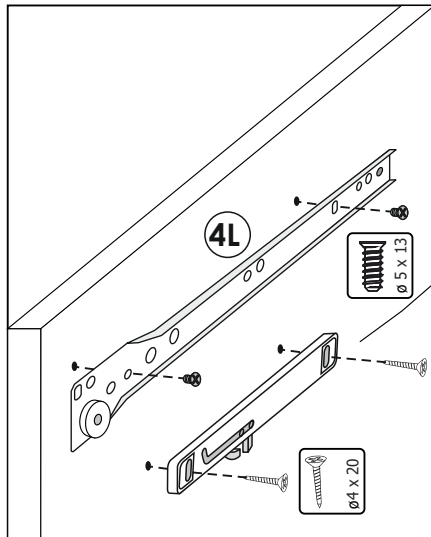
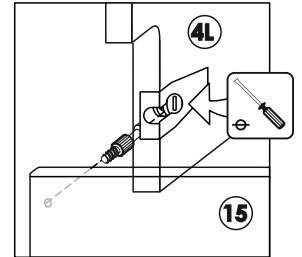
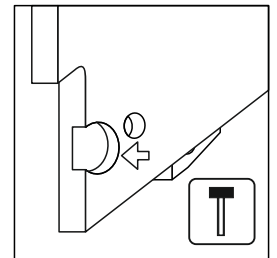
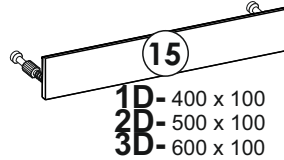
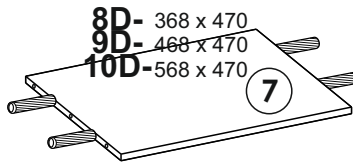
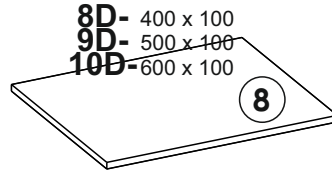
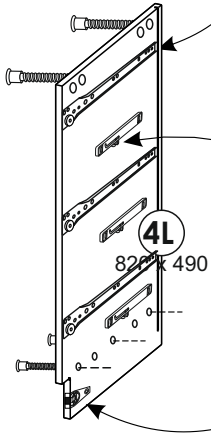
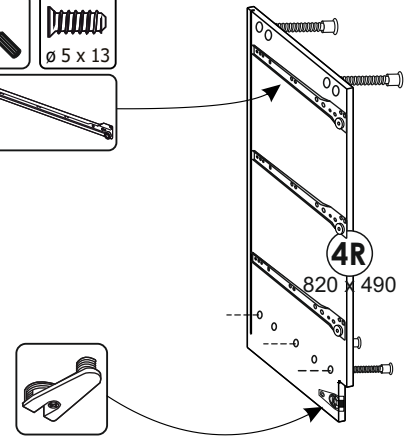
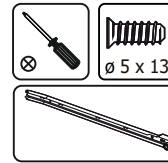
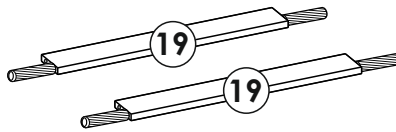
REGULATION

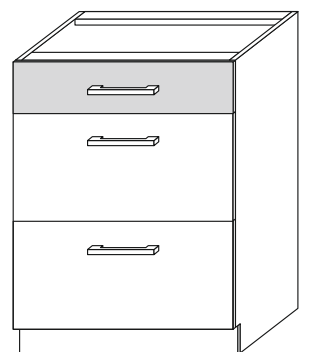
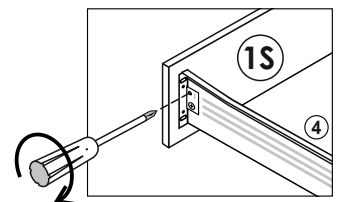
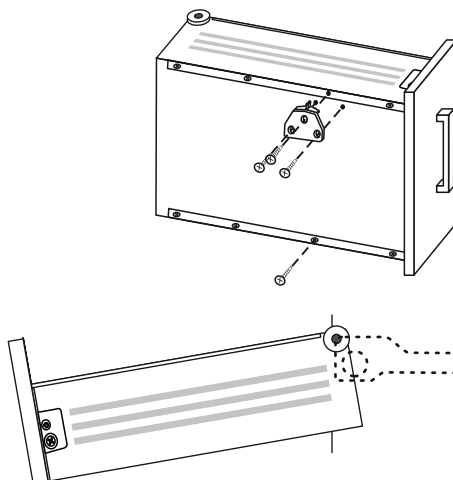
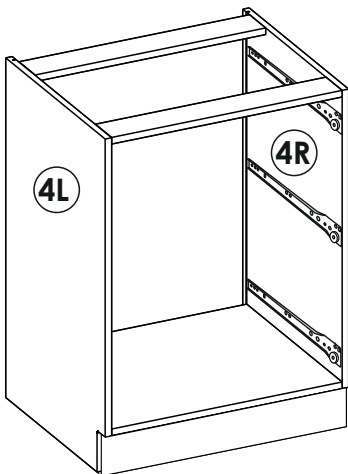
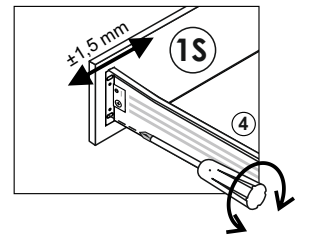
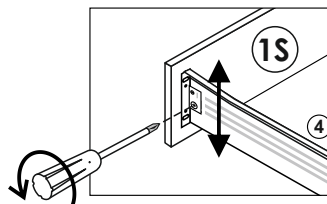
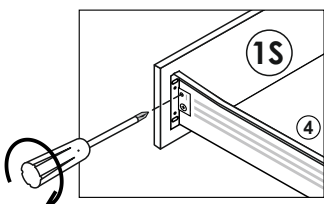
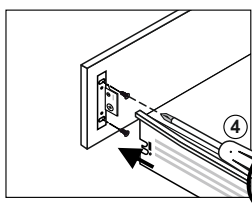
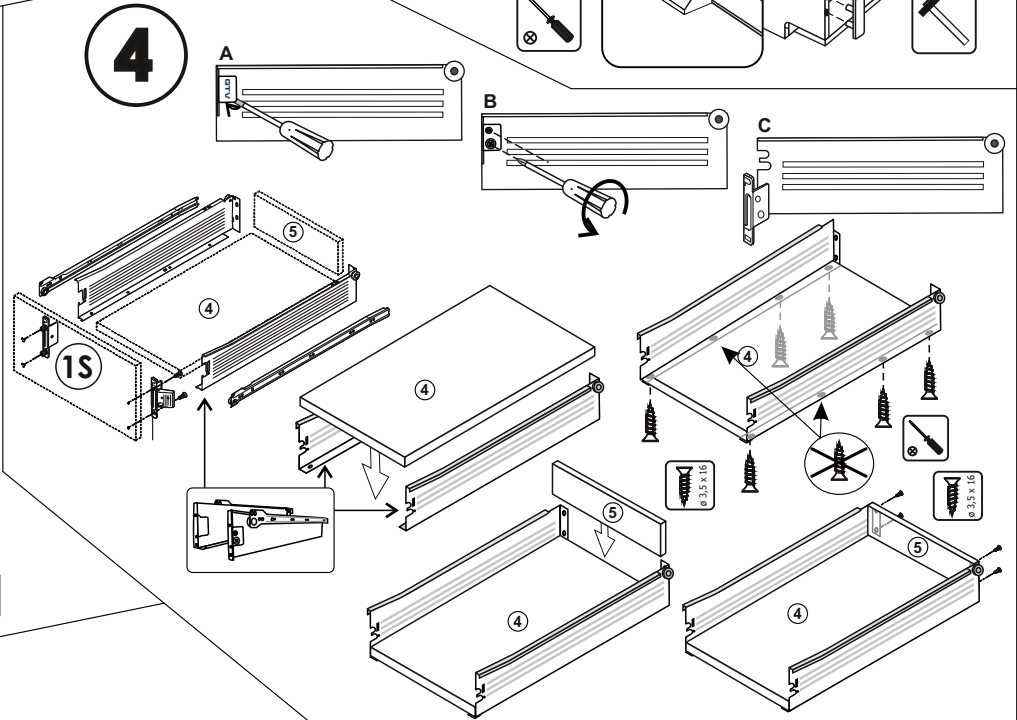
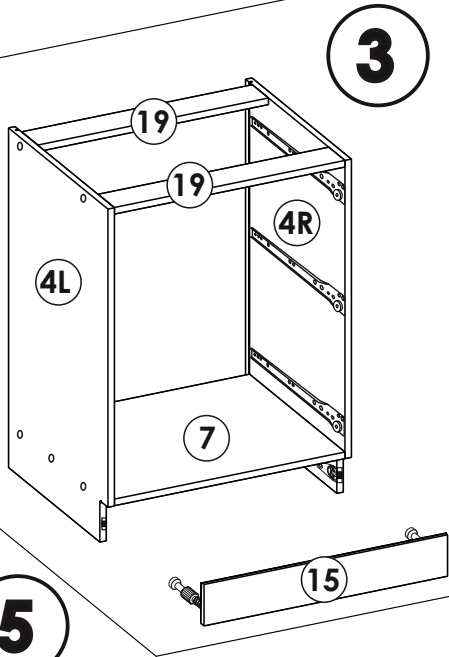
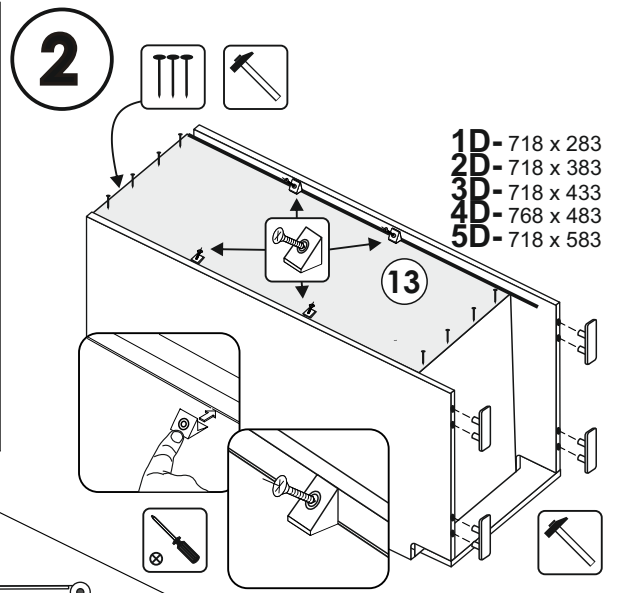
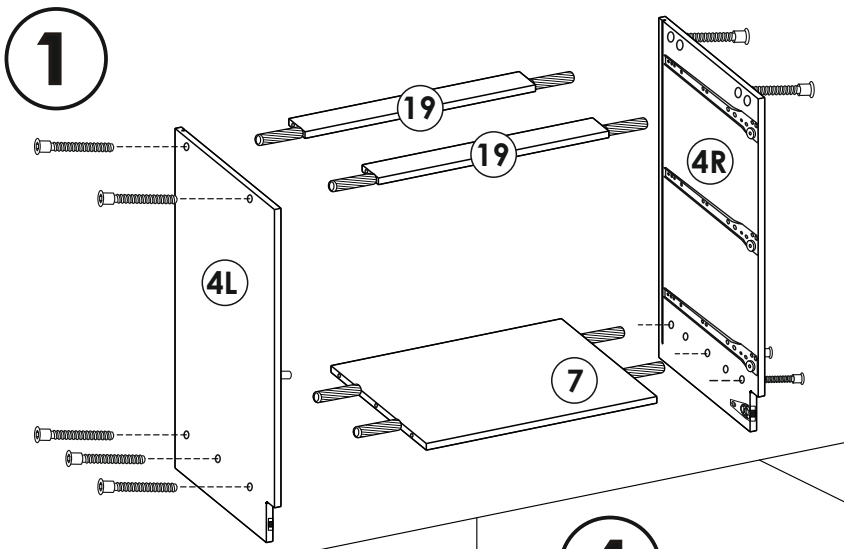
REGULATION

ECONO/ GLO/ PRE
8D, 9D, 10D

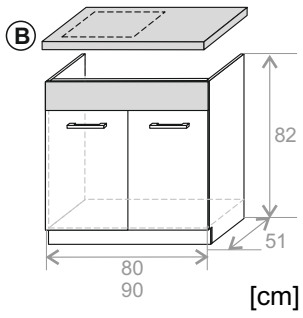
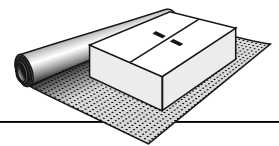
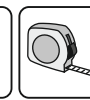
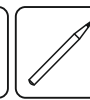
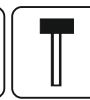
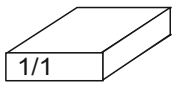


8D- 368 x 80
 9D- 468 x 80
 10D- 568 x 80

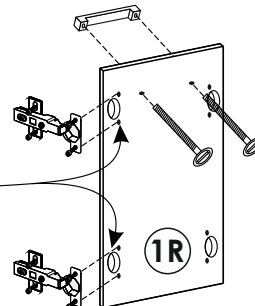
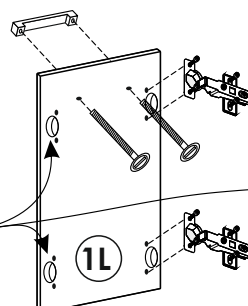
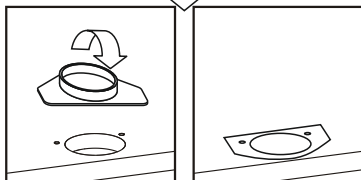
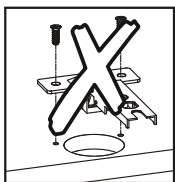
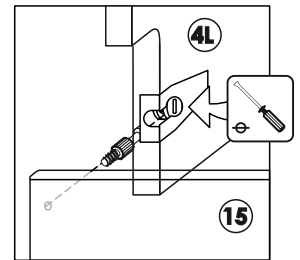
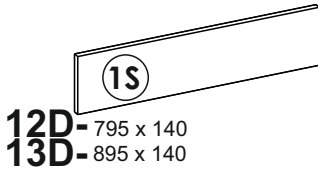
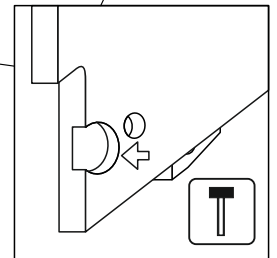
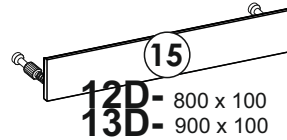
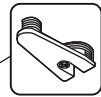
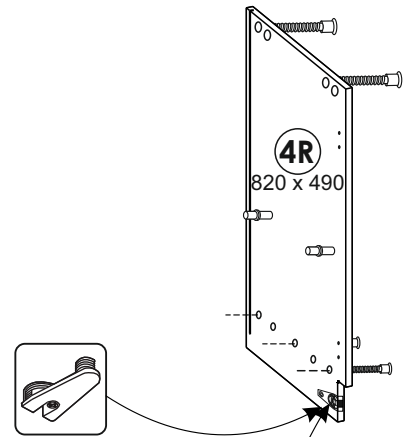
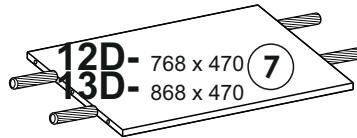
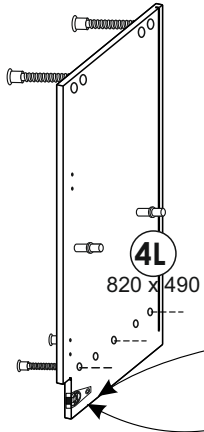
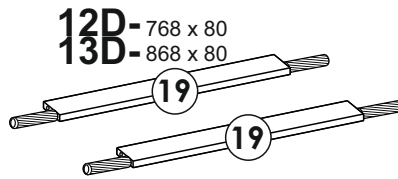


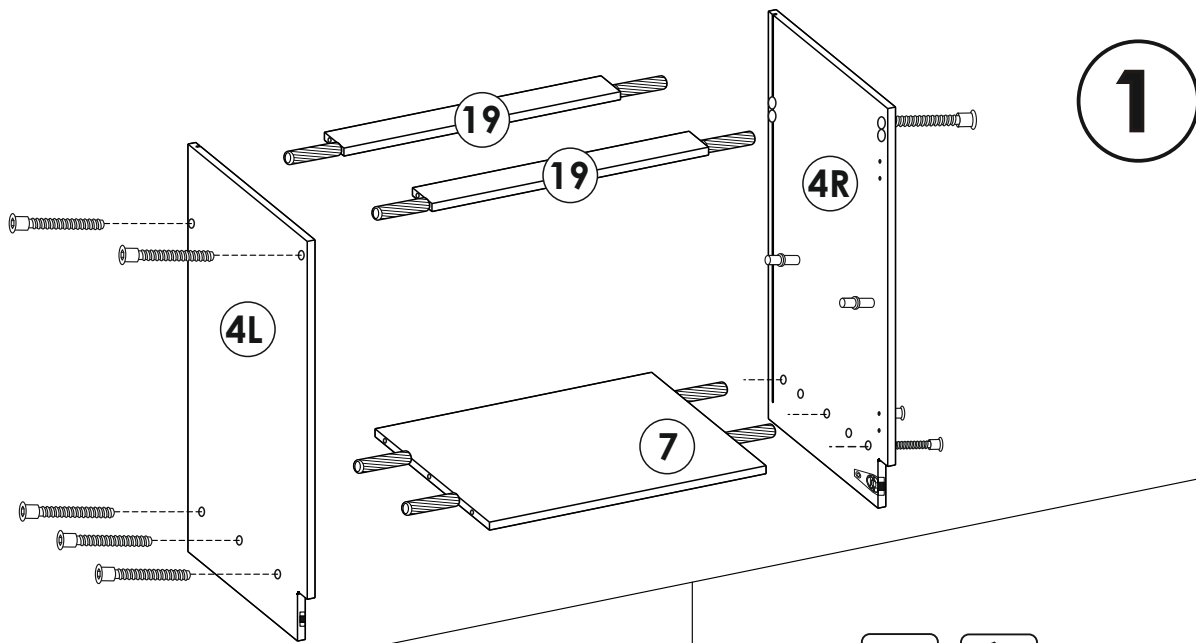


ECONO/ GLO/ PRE
12D, 13D

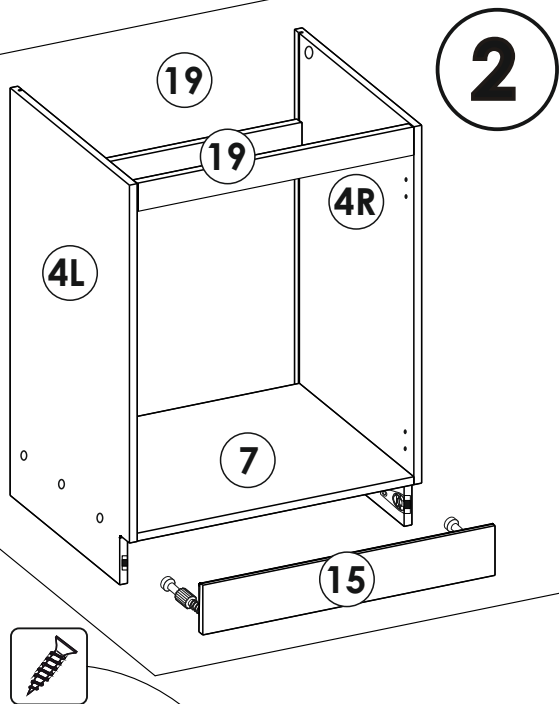


- 10x
- 10x
- 1x
- 8x
- 8x $\varnothing 8 \times 30$
- 4x
- 4x
- 4x
- 8x $\varnothing 5 \times 13$
- 2x
- 4x
- 2x
- 2x
- 2x $\varnothing 3,5 \times 30$

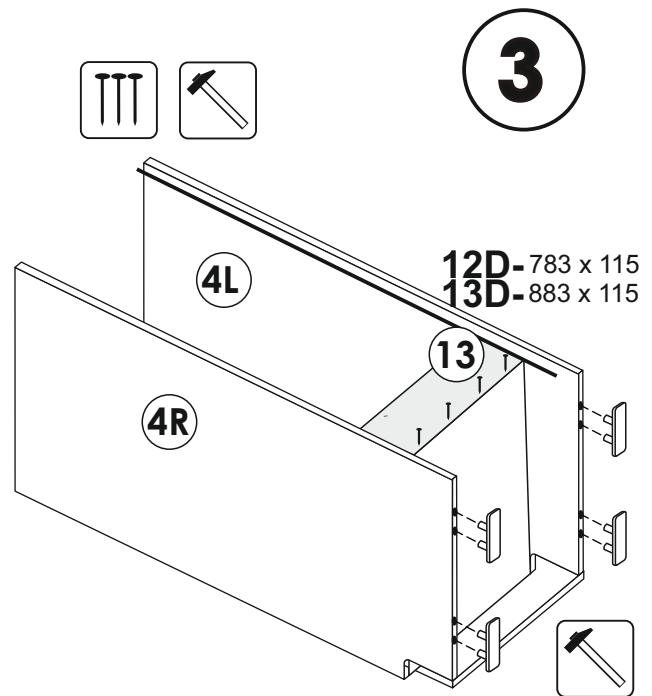




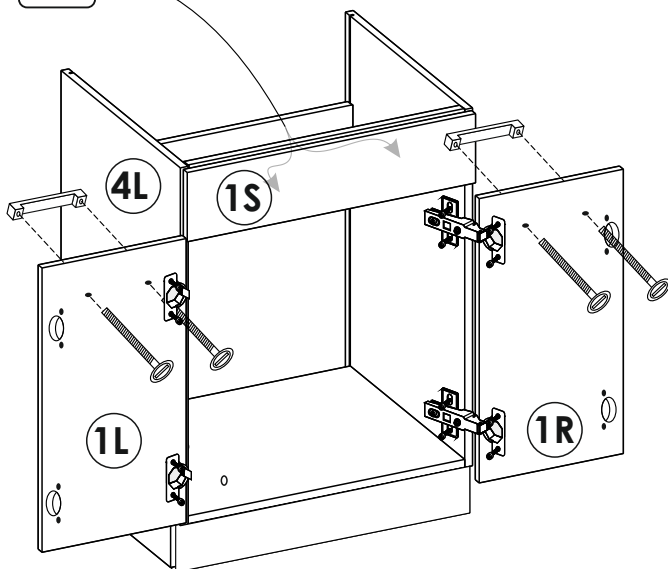
1



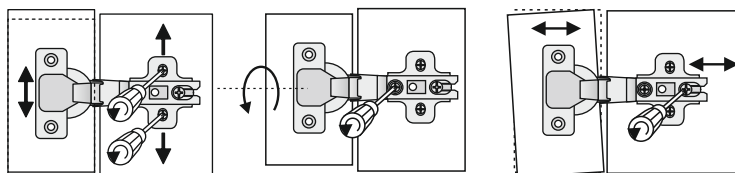
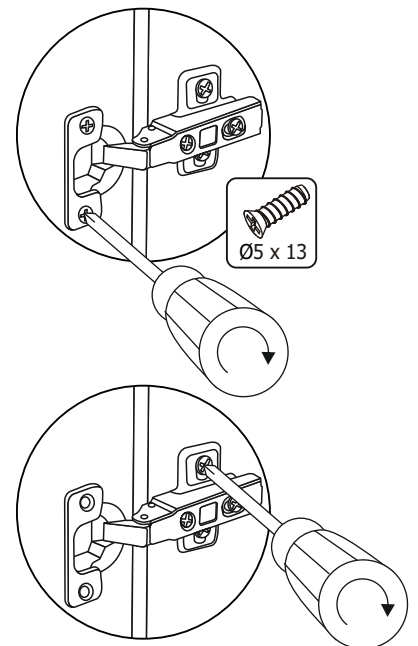
2



3

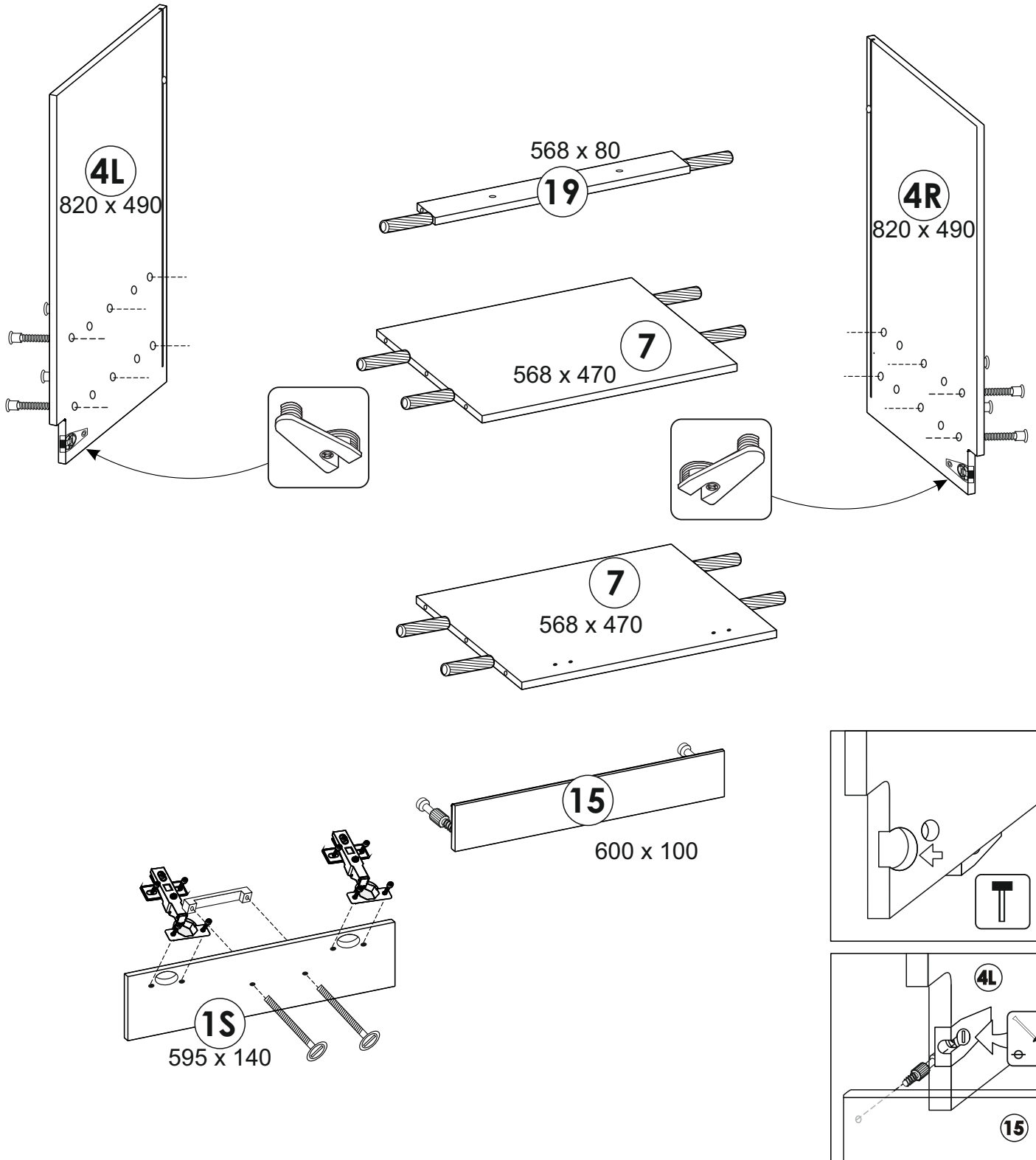
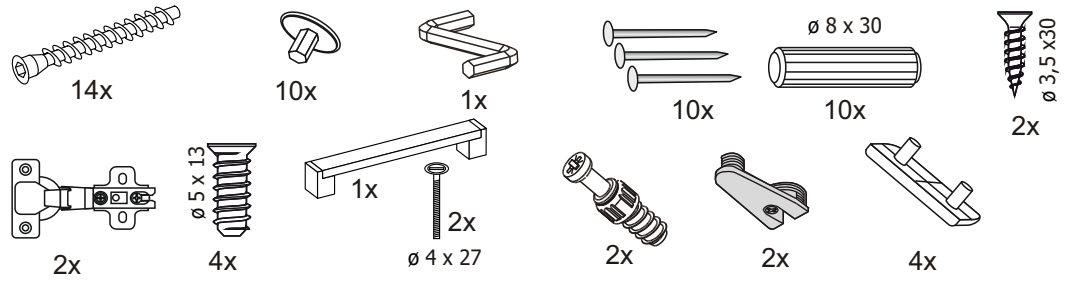
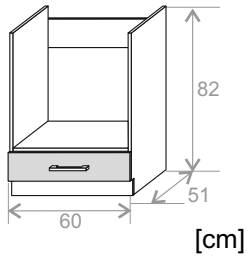
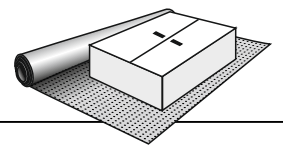
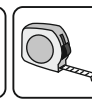
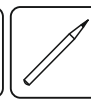
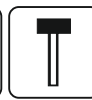
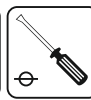
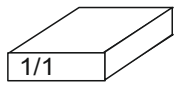


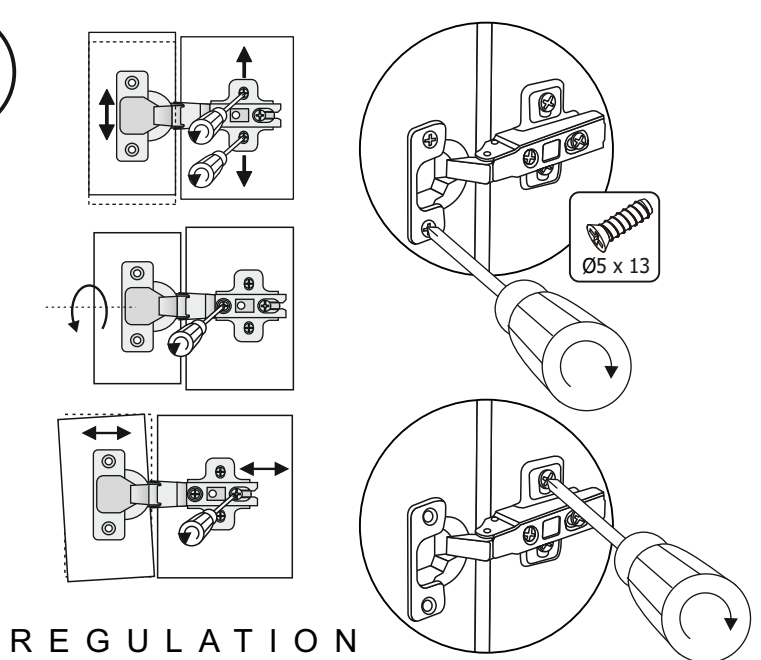
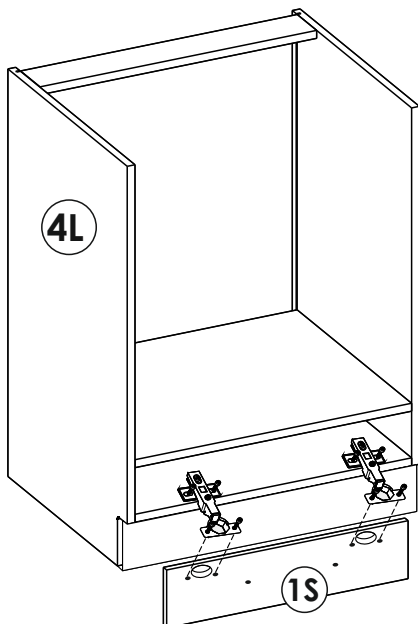
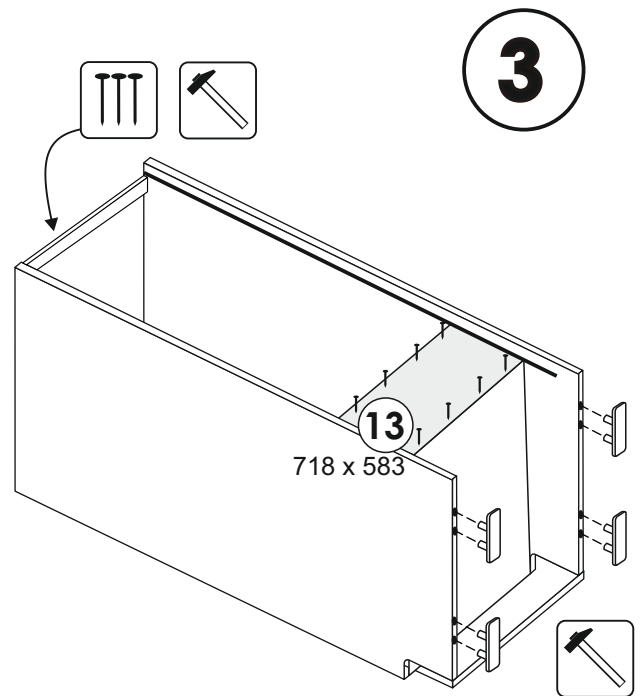
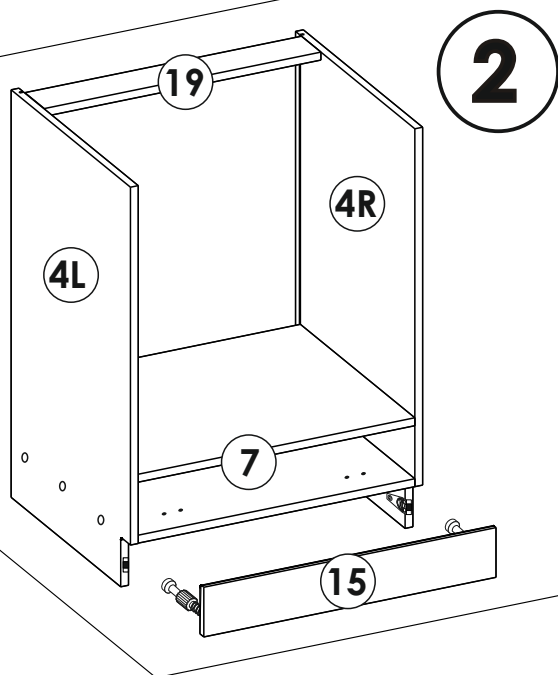
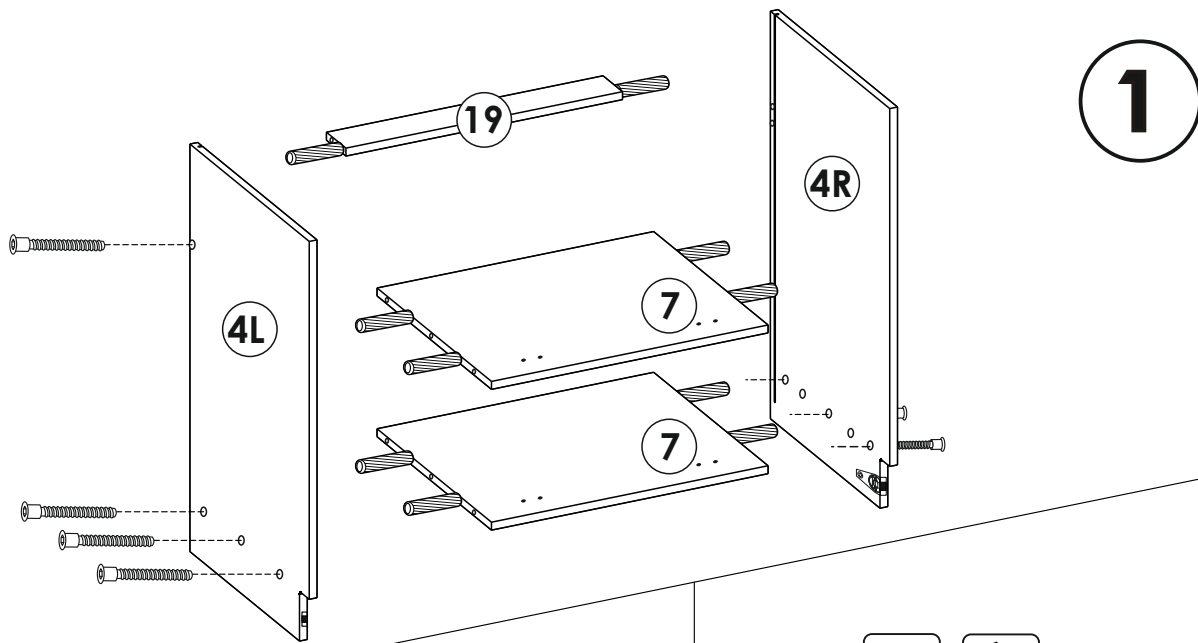
4



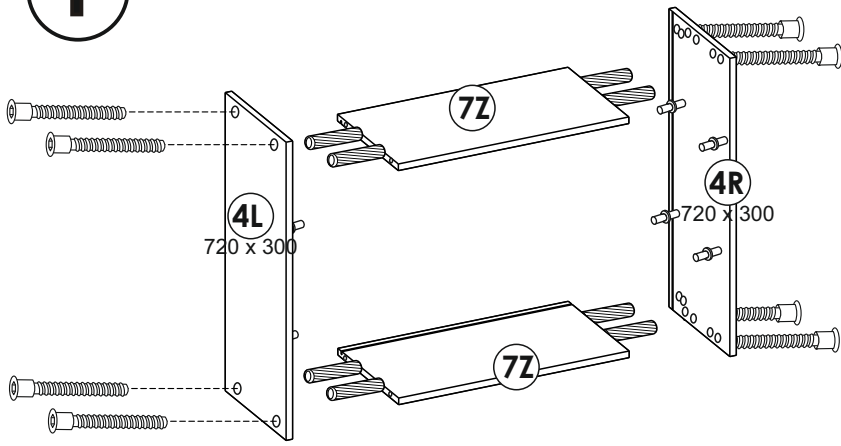
REGULATION

ECO/ GLO/ PRE
-
17D

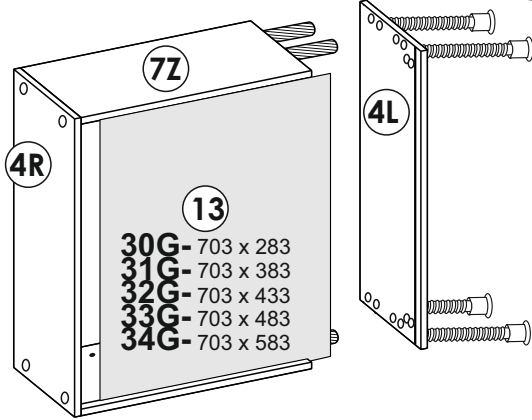




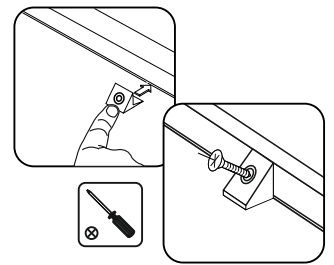
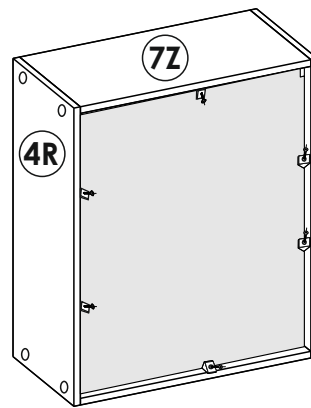
1



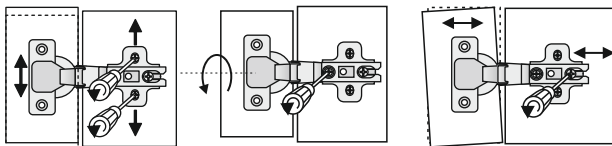
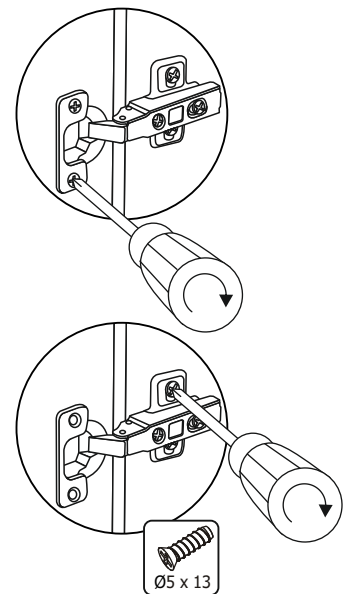
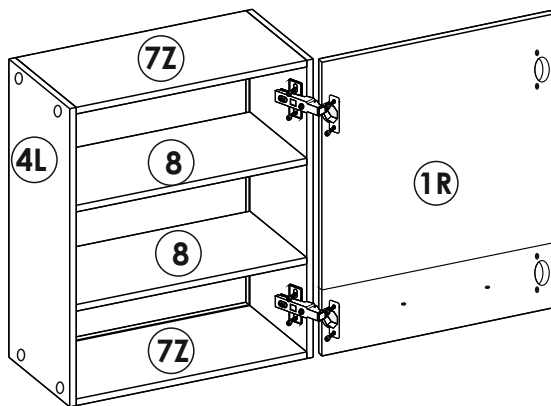
2



3

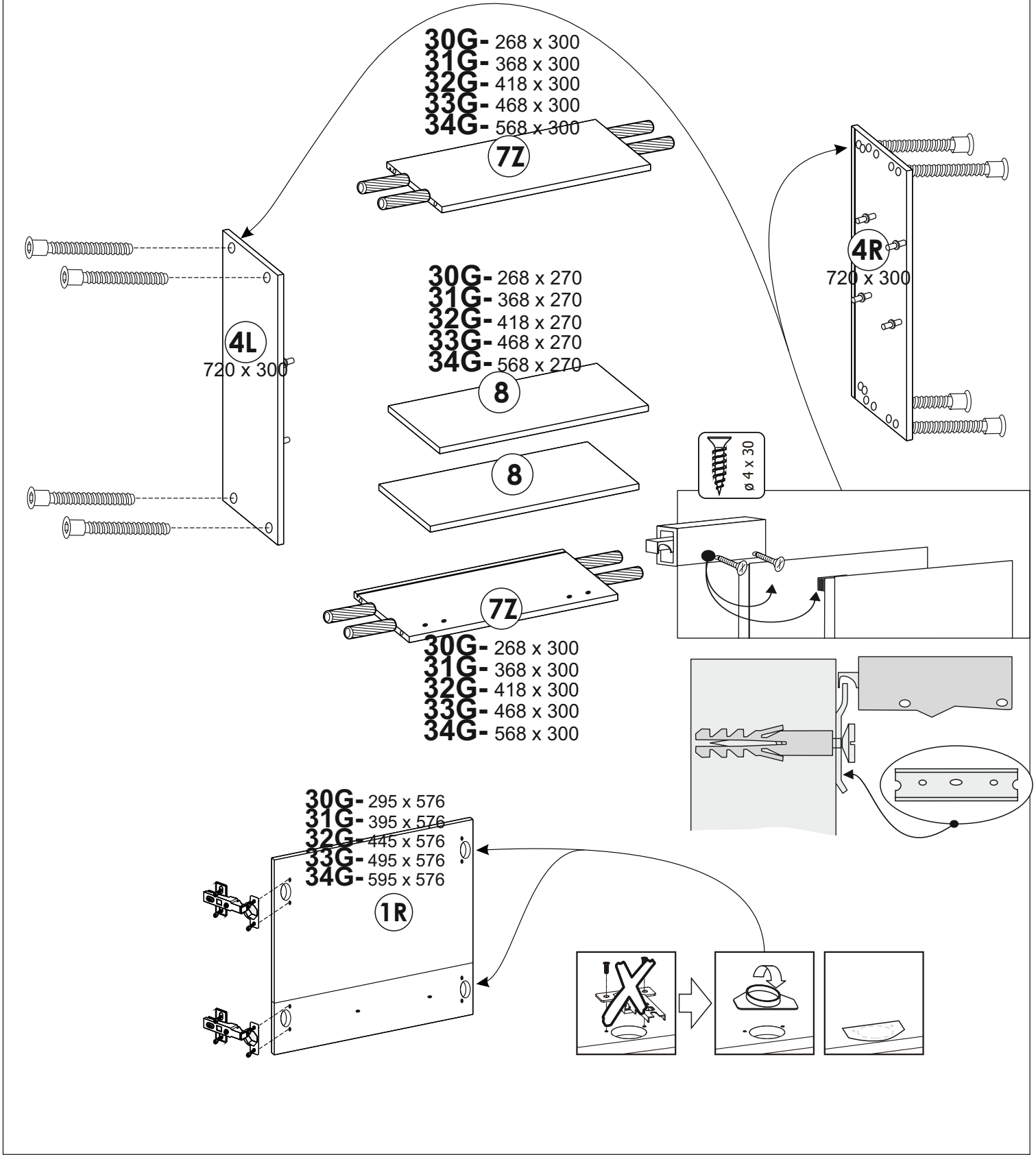
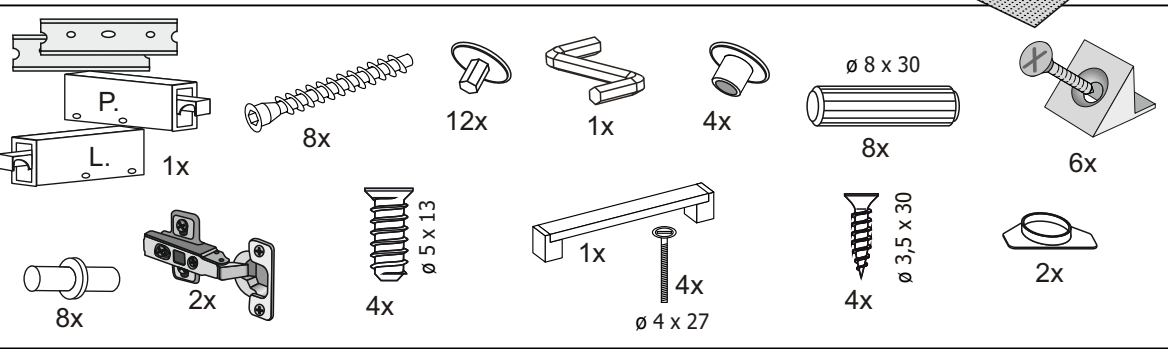
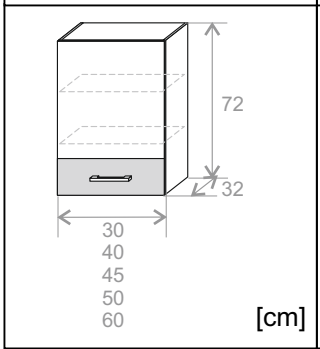
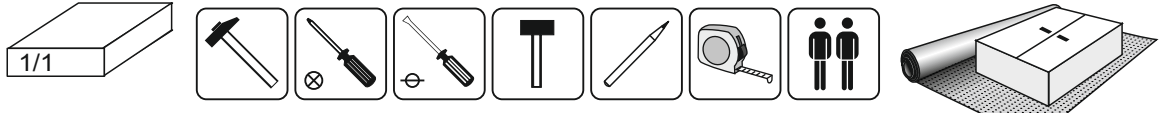


4

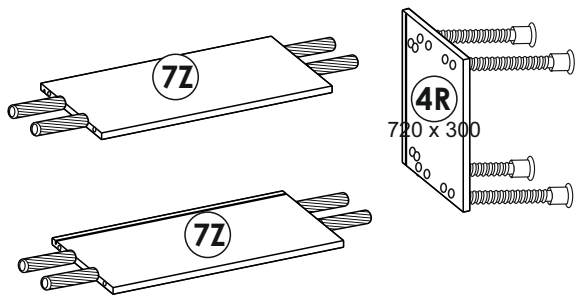


REGULATION

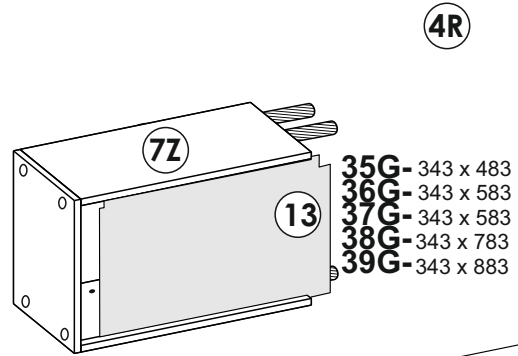
ECO/ GLO/ PRE
30G,31G,32G,33G,34G



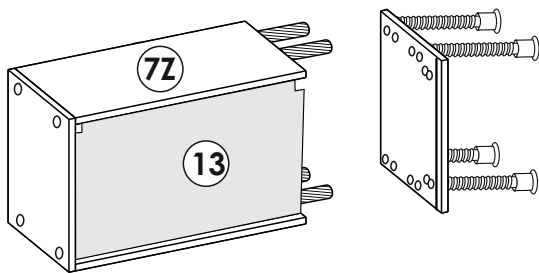
1



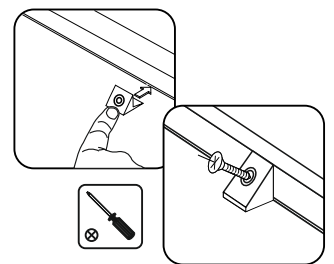
2



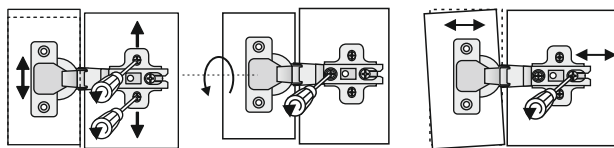
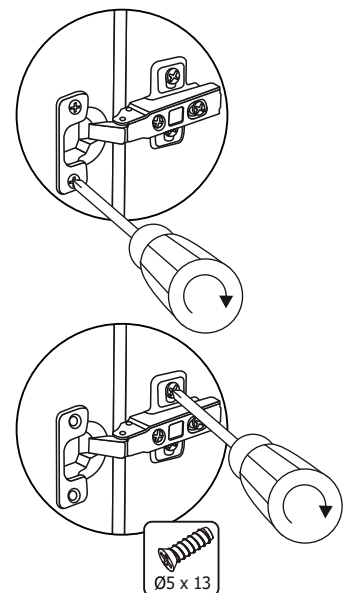
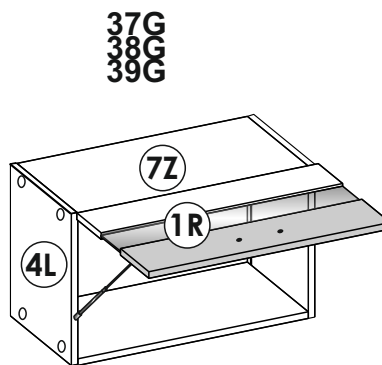
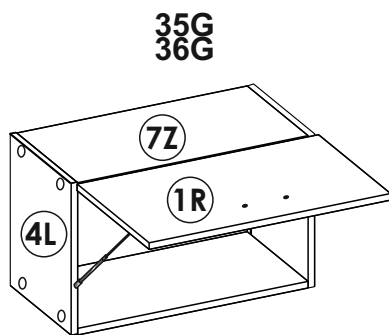
2



3



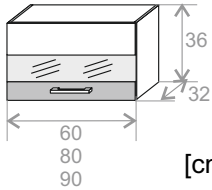
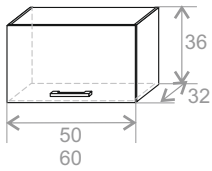
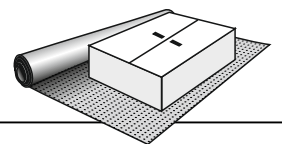
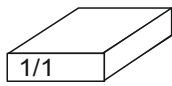
4



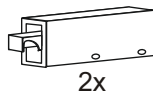
REGULATION

ECONO/ GLO/ PRE

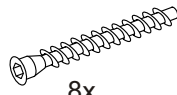
**35G, 36G,
37G, 38G, 39G**



[cm]



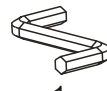
2x



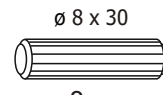
8x



8x

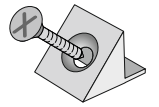


1x

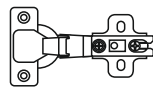


∅ 8 x 30

8x



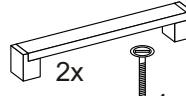
6x



2x



4x

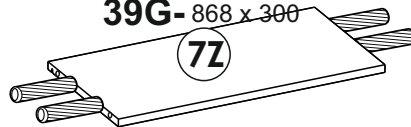


2x



4x
∅ 4 x 30

35G- 468 x 300
36G- 568 x 300
37G- 568 x 300
38G- 768 x 300
39G- 868 x 300

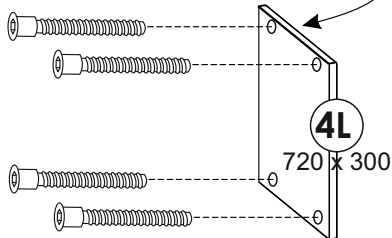


7L



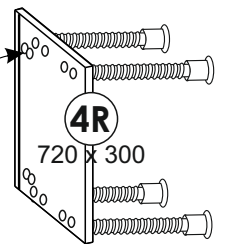
7L

35G- 468 x 300
36G- 568 x 300
37G- 568 x 300
38G- 768 x 300
39G- 868 x 300



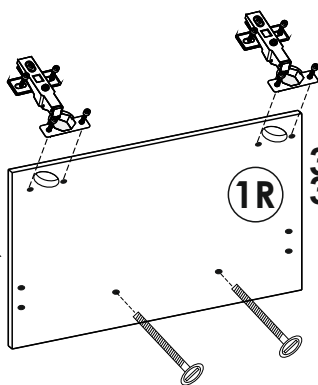
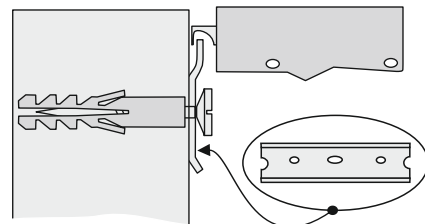
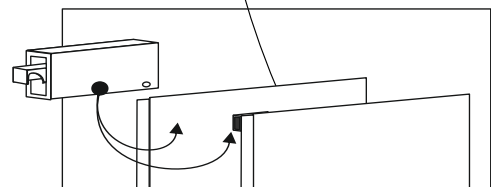
4L

720 x 300



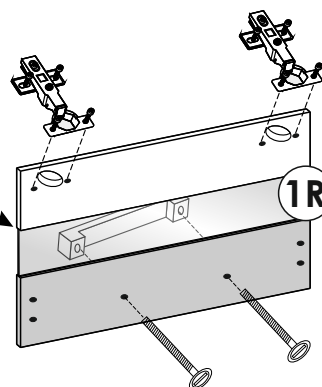
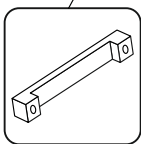
4R

720 x 300



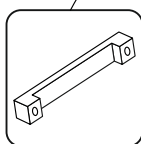
1R

35G- 495 x 355
36G- 595 x 355

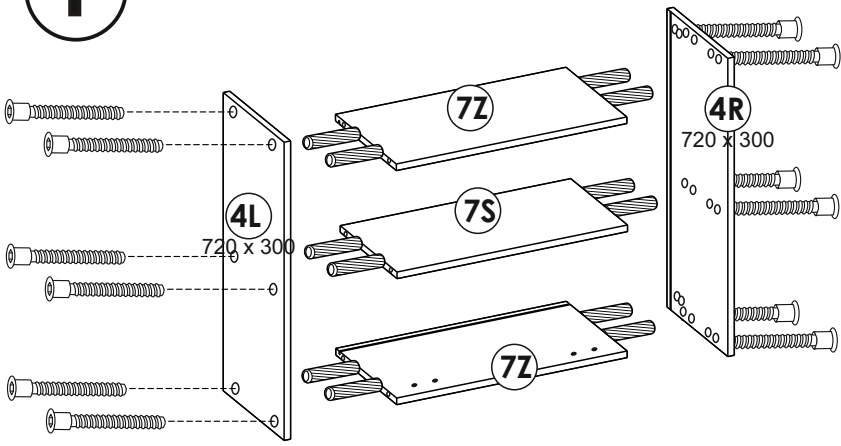


1R

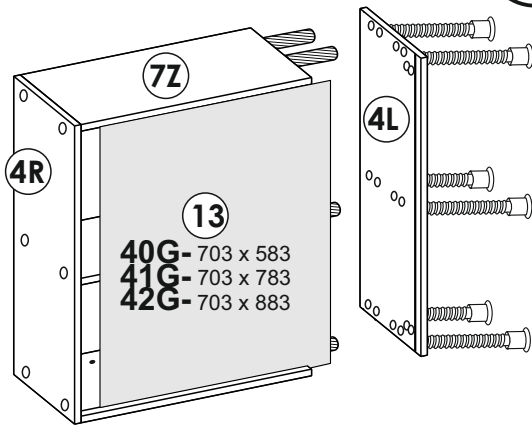
37G- 595 x 355
38G- 795 x 355
39G- 895 x 355



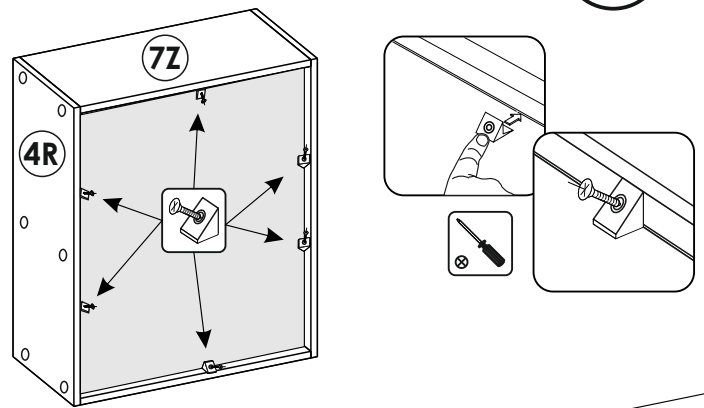
1



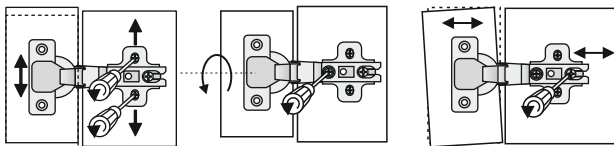
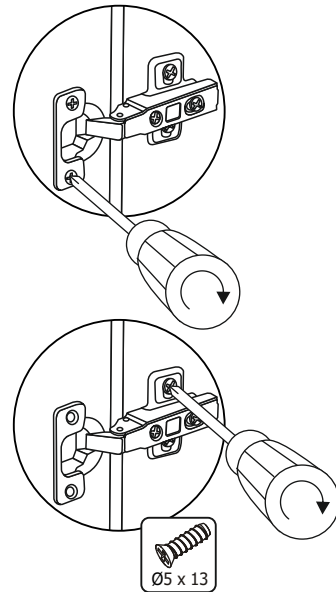
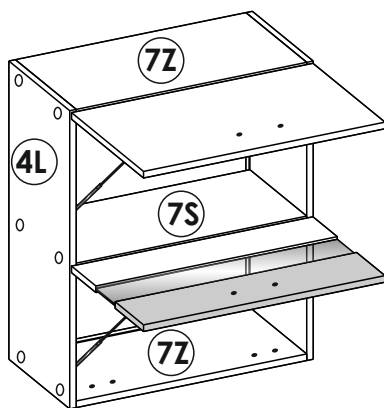
2



3



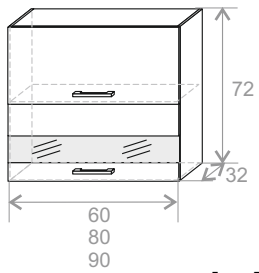
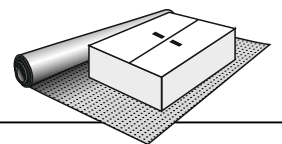
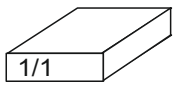
4



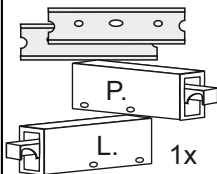
REGULATION

ECONO/ GLO/ PRE

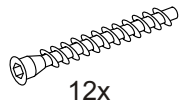
40G, 41G, 42G



[cm]



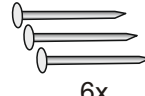
1x



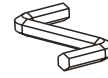
12x



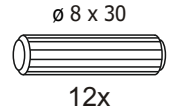
12x



6x

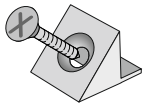


1x

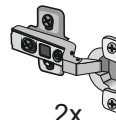


ø 8 x 30

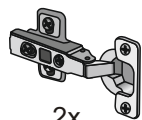
12x



8x



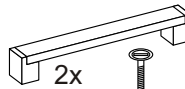
2x



2x



8x



2x



4x



4x



4x



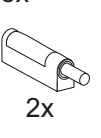
4x



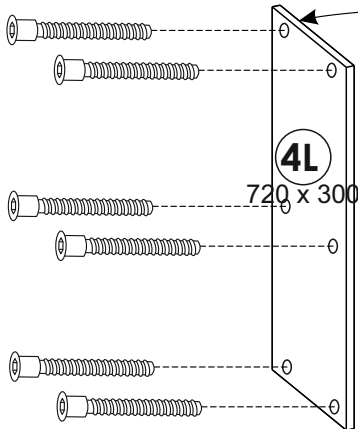
4x



4x



2x

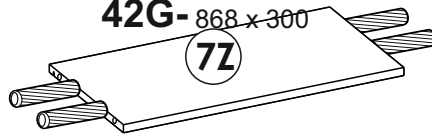


4L

720 x 300

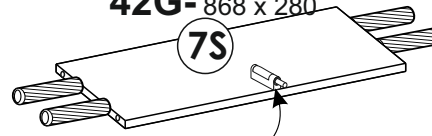
40G- 568 x 300
41G- 768 x 300
42G- 868 x 300

7Z



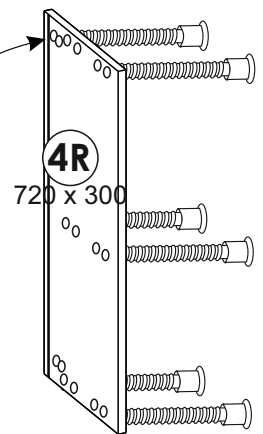
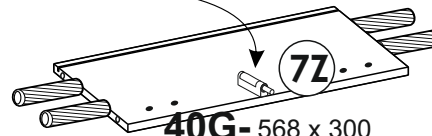
40G- 568 x 280
41G- 768 x 280
42G- 868 x 280

7S



40G- 568 x 300
41G- 768 x 300
42G- 868 x 300

7Z

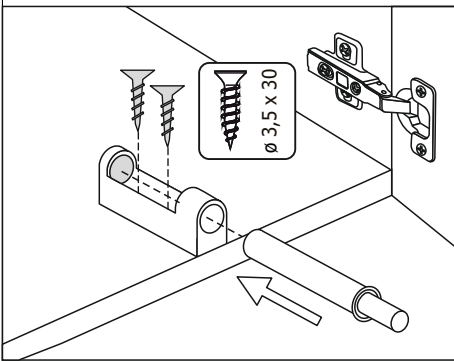


4R

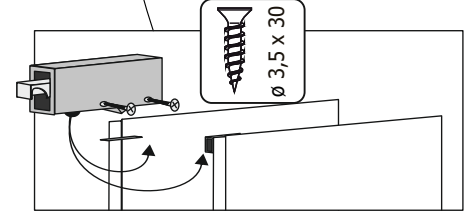
720 x 300



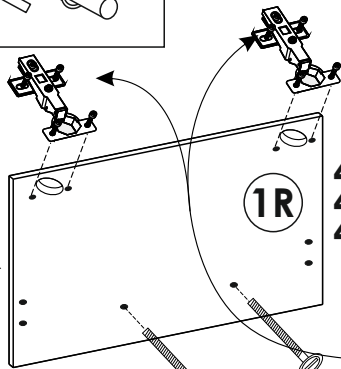
ø 3,5 x 30



ø 3,5 x 30

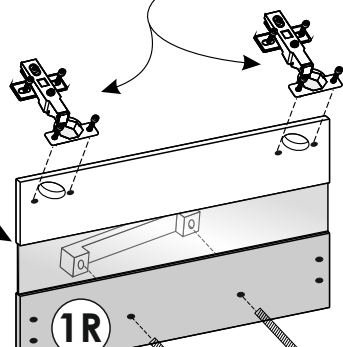
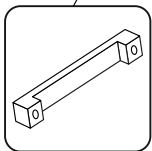
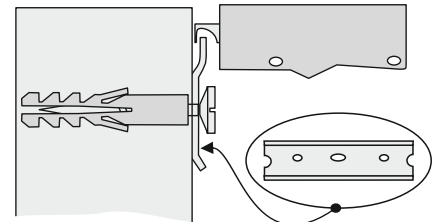


ø 3,5 x 30



1R

40G- 595 x 355
41G- 795 x 355
42G- 895 x 355



1R

40G- 595 x 355
41G- 795 x 355
42G- 895 x 355

