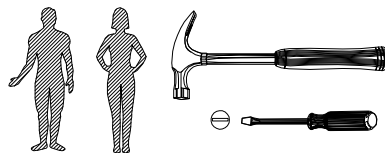
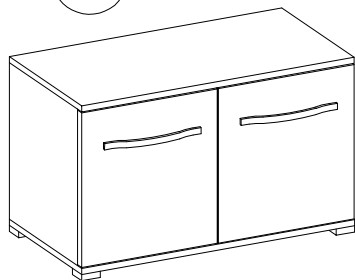
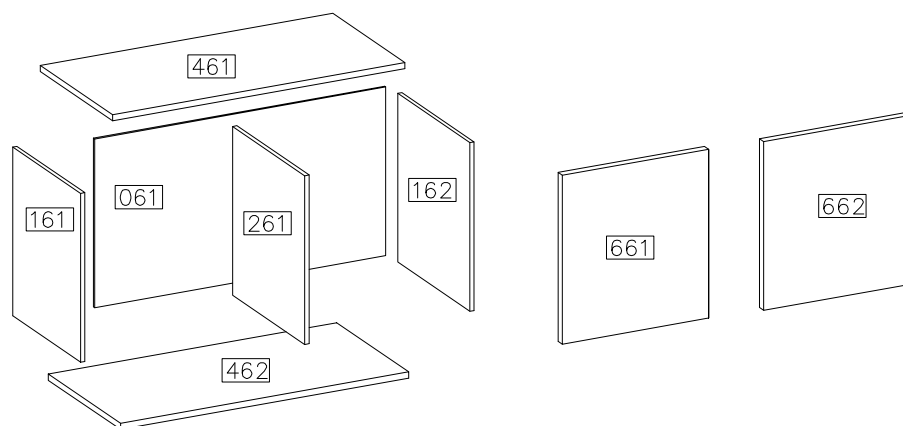
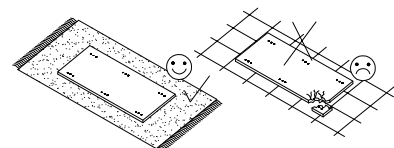
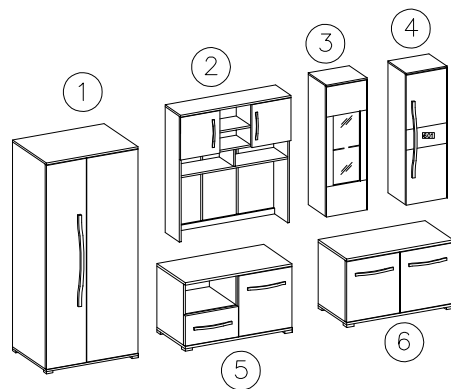
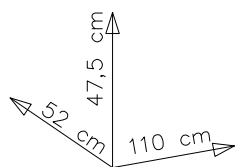




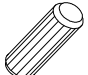







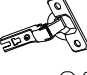
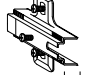
# MODENA DOŁEK REGAŁ

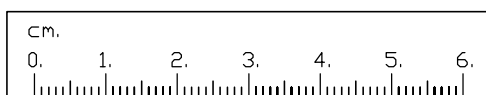
6



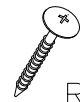
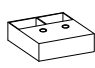
#	ART. NR	QUANTITY
1	461	1
2	462	1
3	161	1
4	162	1
5	261	1
6	061	1
7	661	1
8	662	1

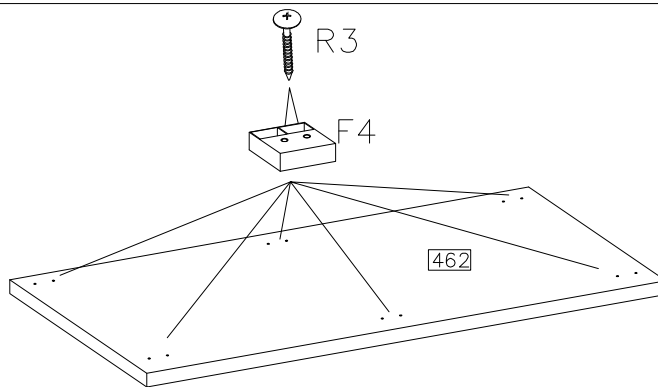


 D1	 C	 A	 E	 R3	 F4	 F10	 S2	 R2
12	12	18	12	12	6	30	2	4
 P1	 G6	 H4						
8	4	4						




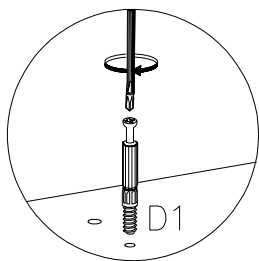
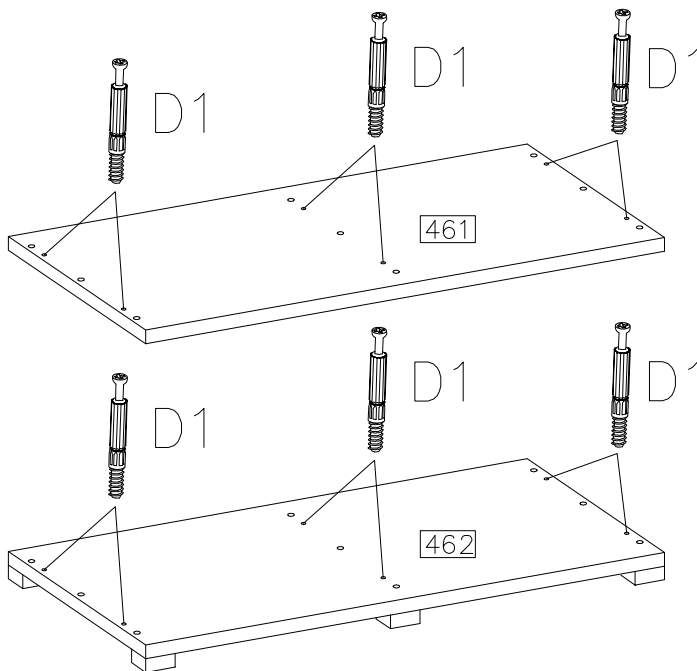
1

4.0x35mm  R3 12	 F4 6
--	---

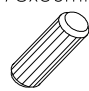

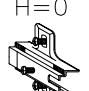


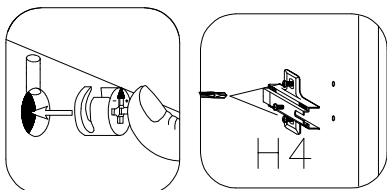
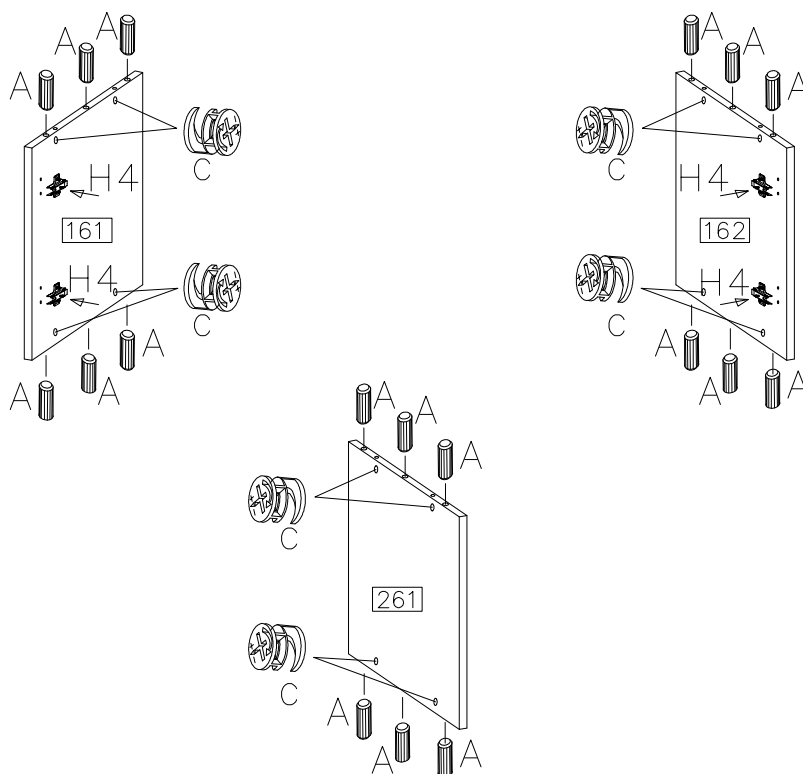
2

 D1 12
---

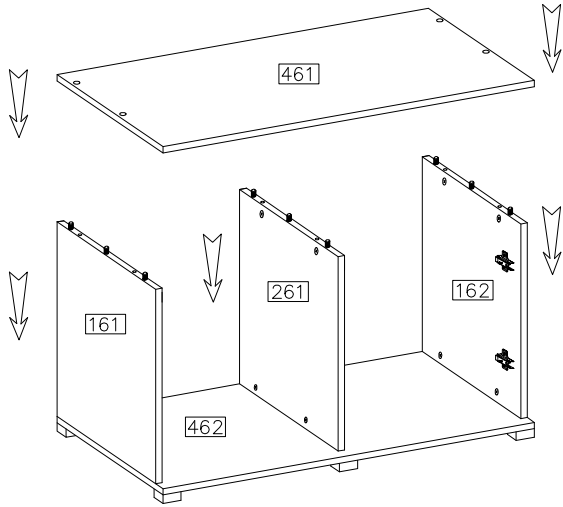
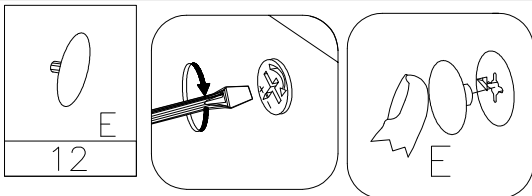


3

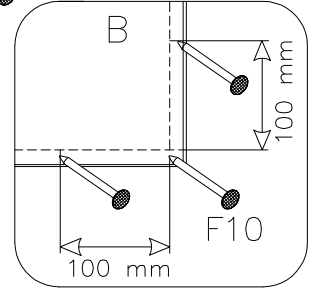
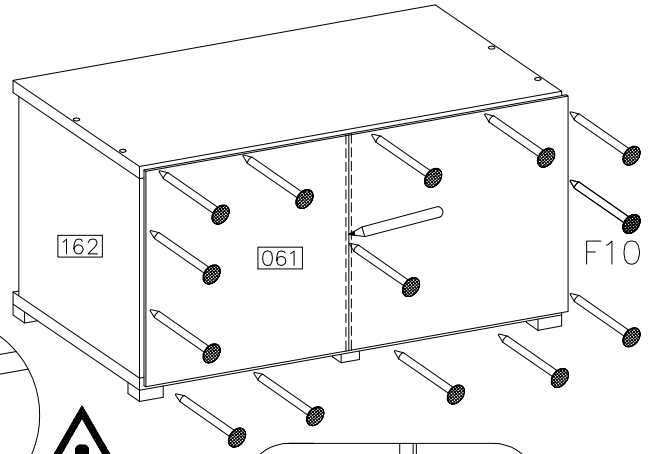
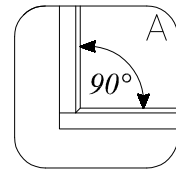
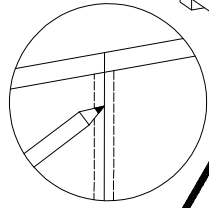
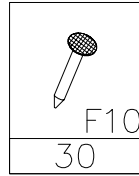
ø8x30mm  A 18	 C 12	 H=0 H4 4
--	---	---



4

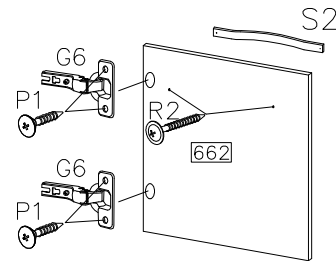
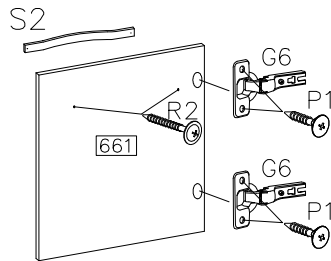


5

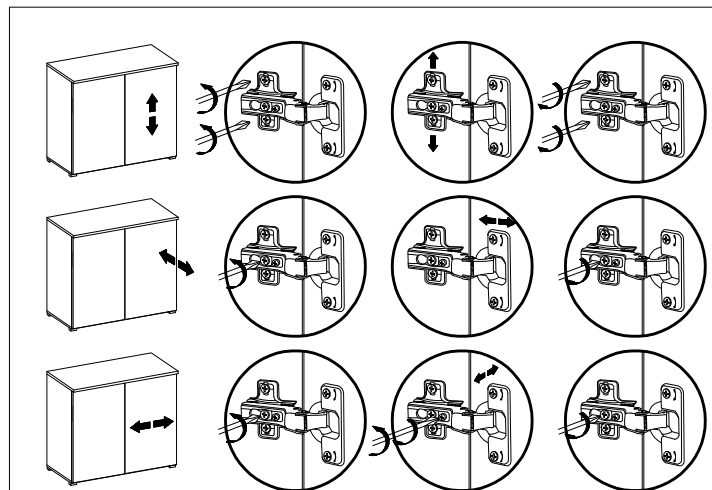
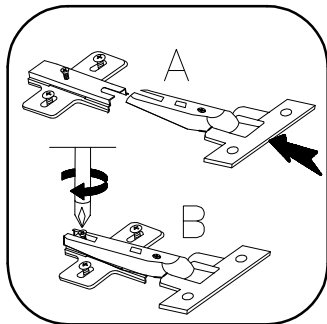
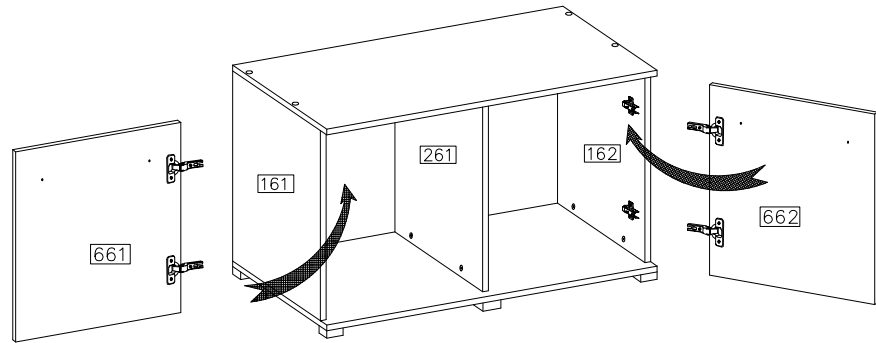


6

4.0x27mm R2 4	ø35/KR-0 G6 4
S2 2	ø4.0x16mm P1 8

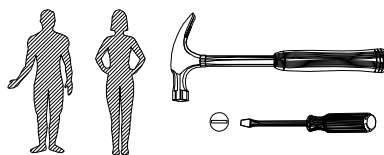
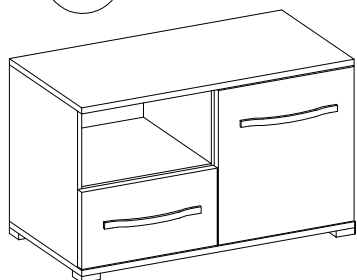


7

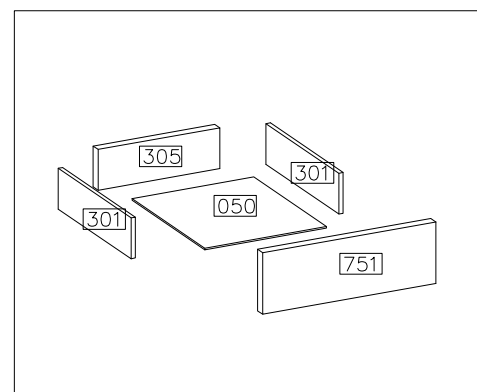
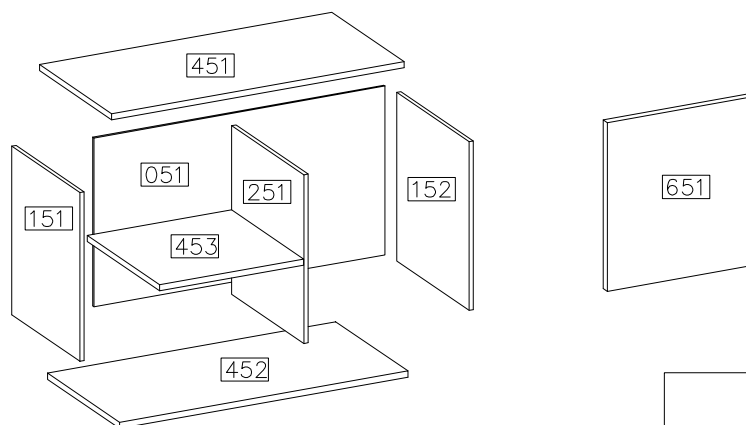
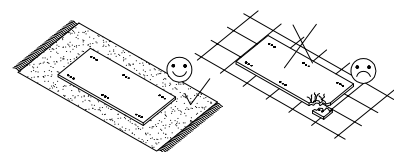
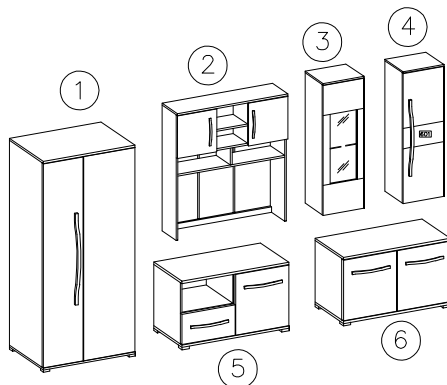
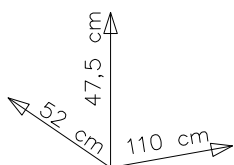




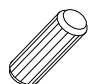


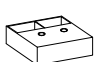




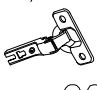
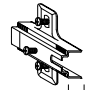



# MODENA DOŁEK RTV

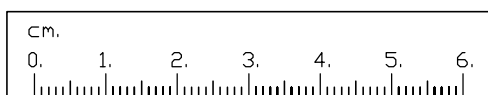
5



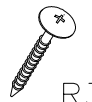
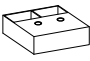
#	ART. NR	QUANTITY
1	451	1
2	452	1
3	453	1
4	151	1
5	152	1
6	251	1
7	051	1
8	651	1
9	751	1
10	301	2
11	305	1
12	050	1

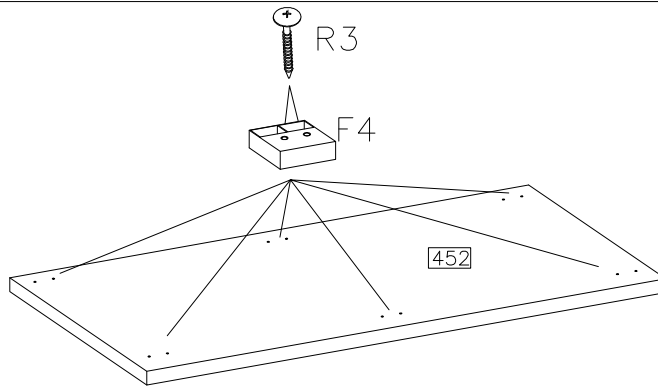


 D1	 C	 A	 E	 R3	 F4	 F10	 S2	 R2
16	16	32	16	12	6	40	2	4
 P1	 G6	 H4	 PR	 O11	 P2			
8	2	2	1KPL	1	4			




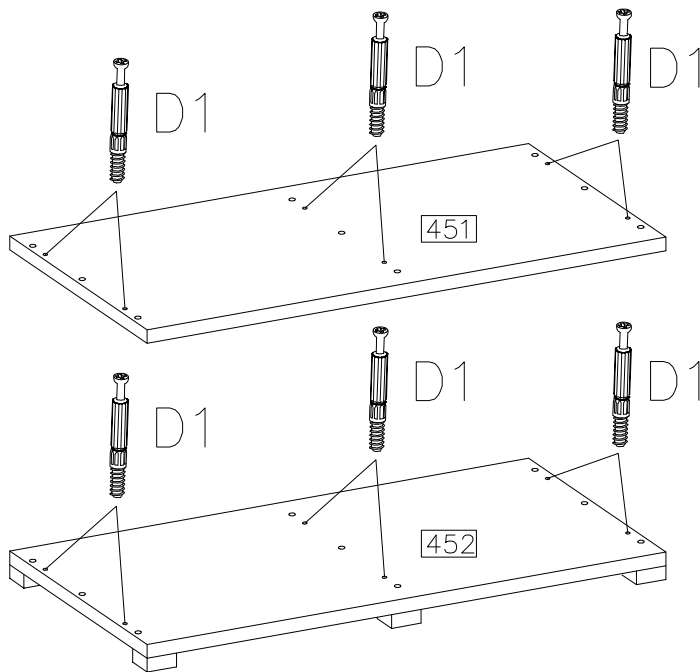
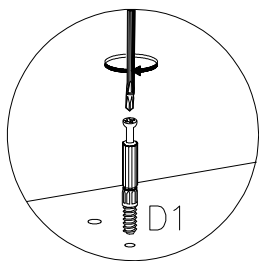
1

4.0x35mm		
	R3	F4
12		6


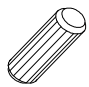

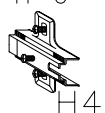


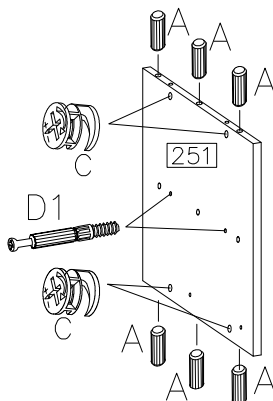
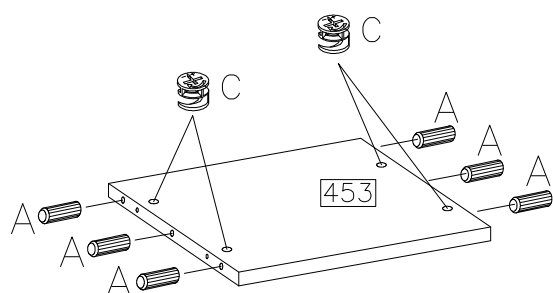
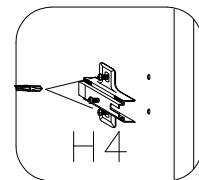
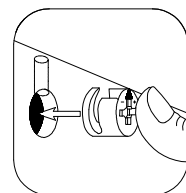
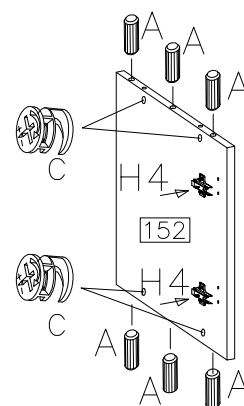
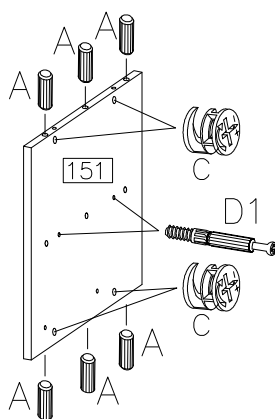
2

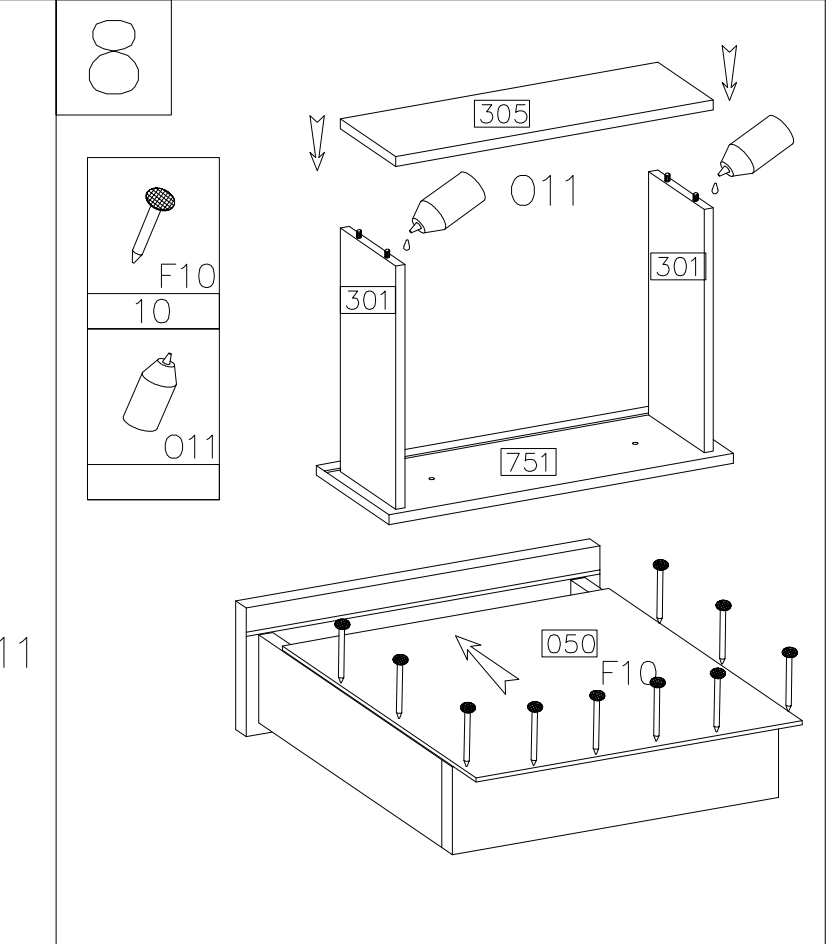
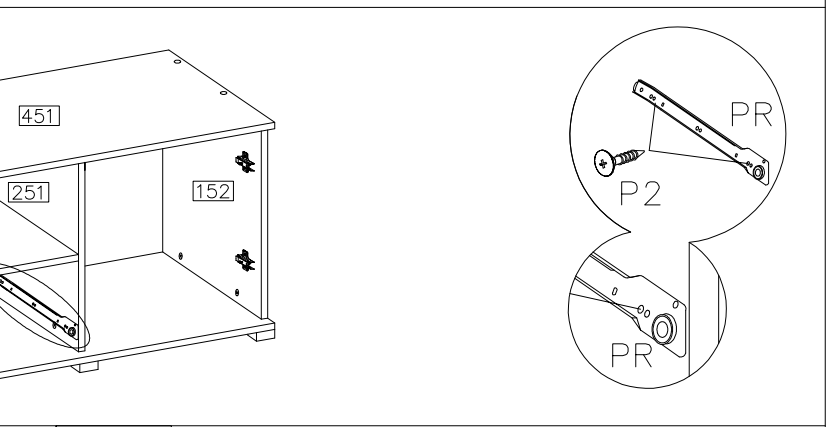
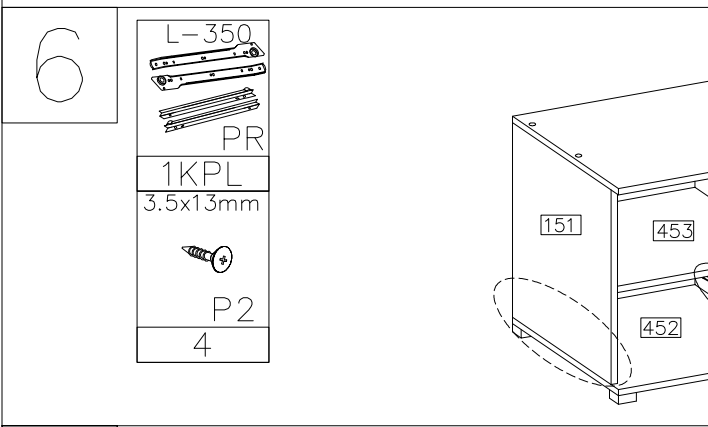
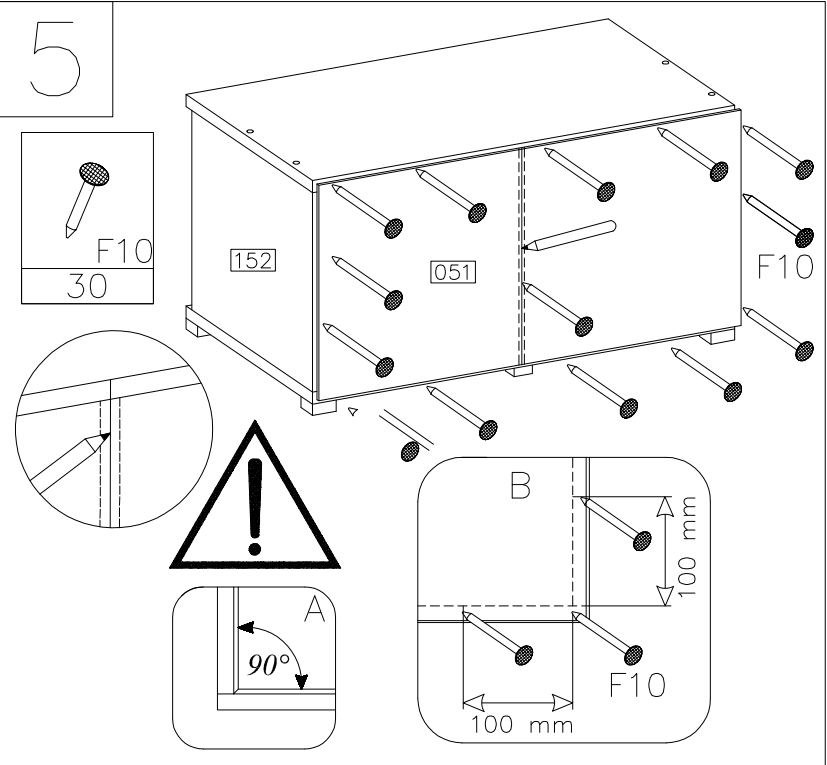
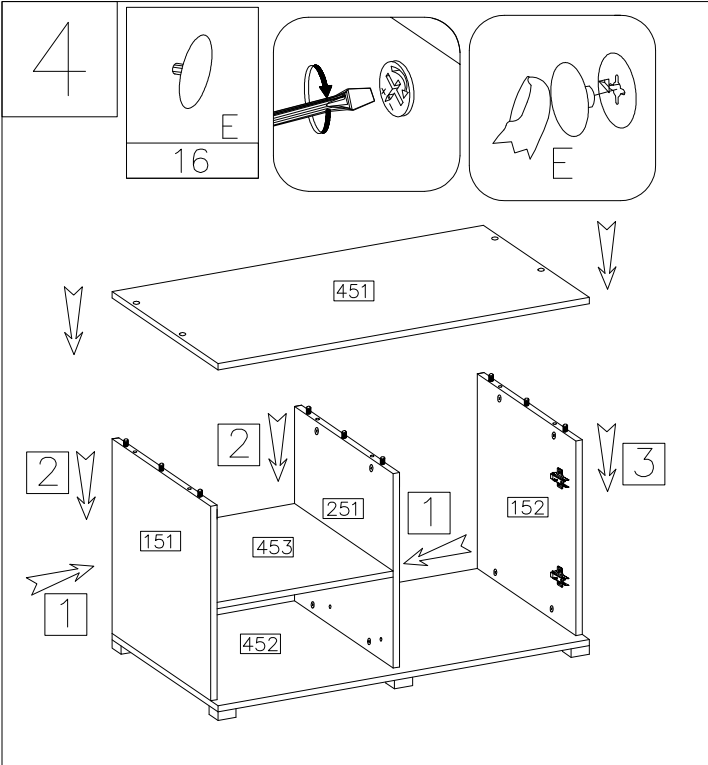
	D1
12	




3

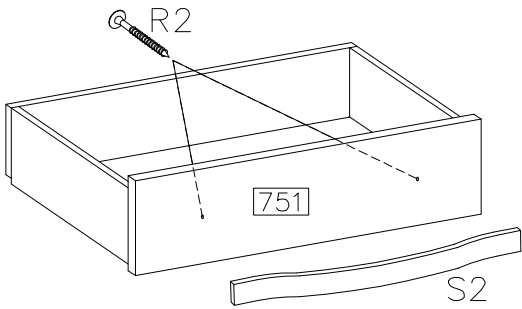
		ø8x30mm
D1	A	
4	24	
		H=0
C	H4	
16	2	






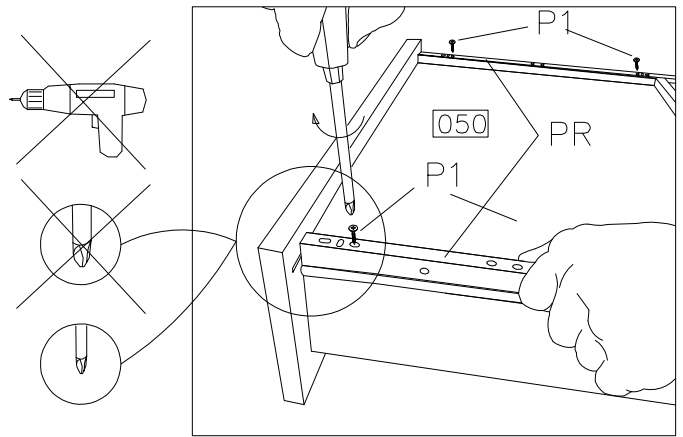
9

	4.0x27mm R2
1	2



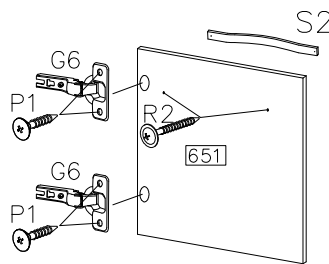
10

L-350 	ø4.0x16mm P1
PR	P1
1KPL	4

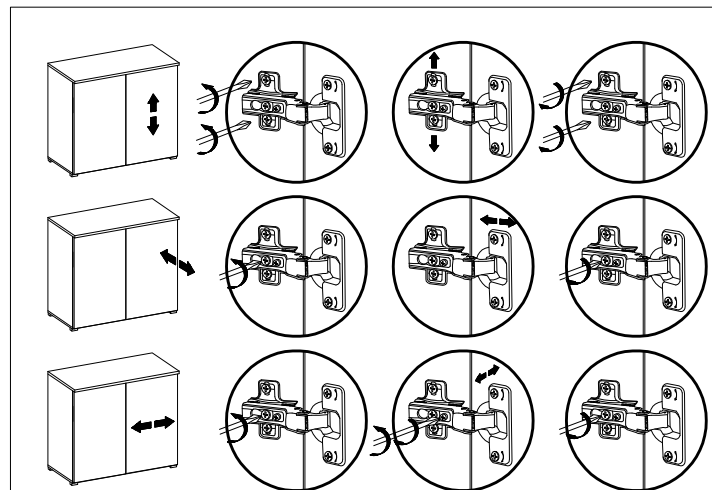
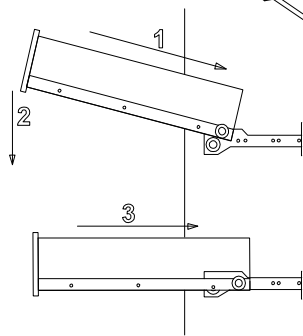
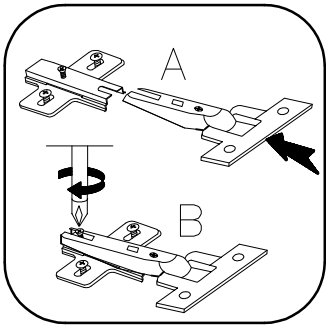
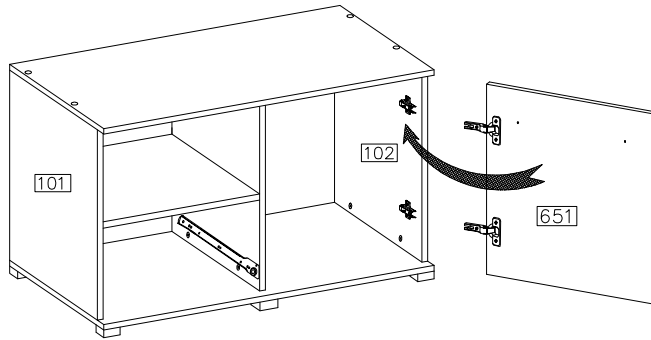


11

4.0x27mm R2	ø35/KR-0 G6
2	2
S2	ø4.0x16mm P1
1	4

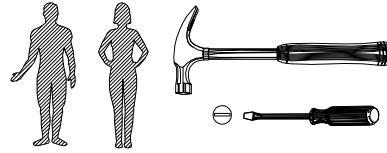
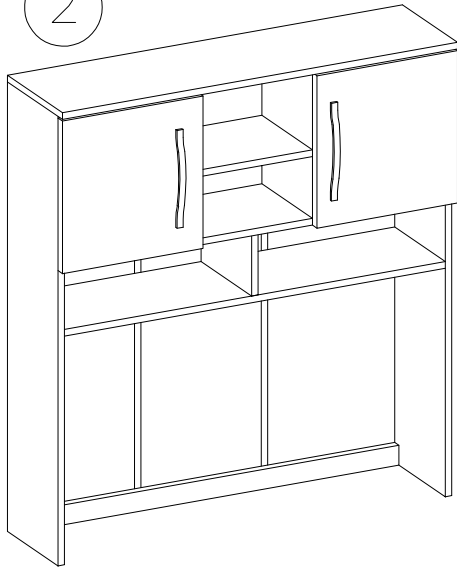


12

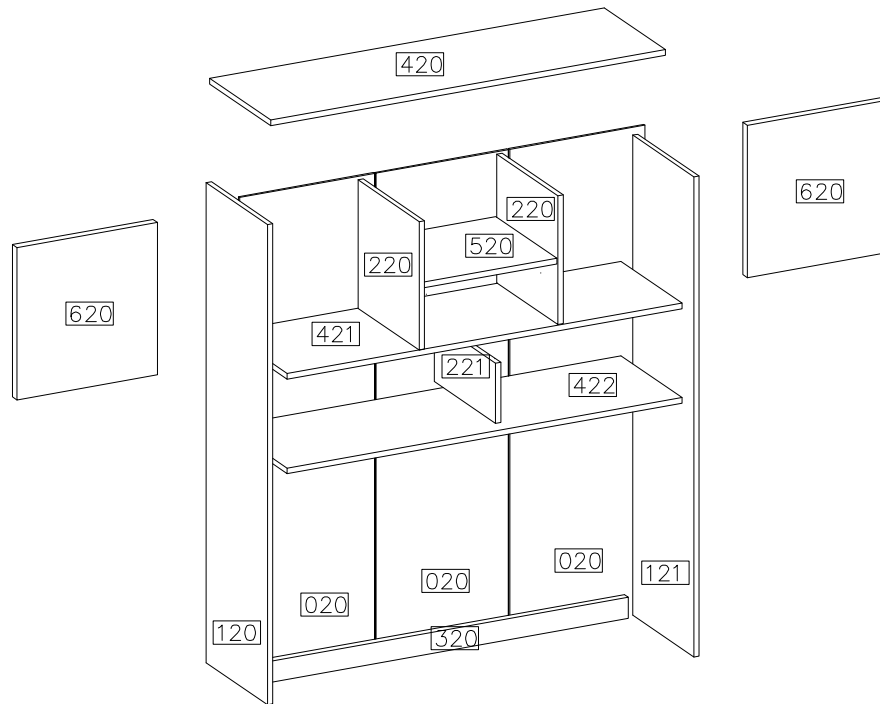
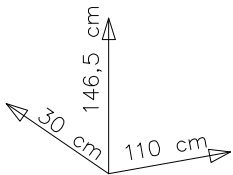
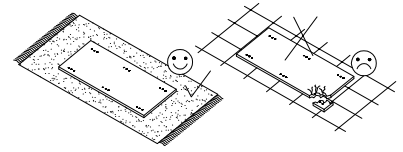
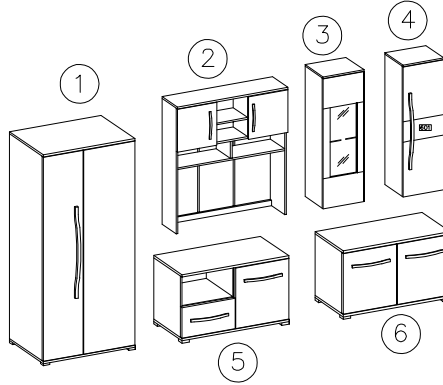




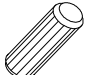





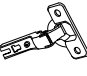
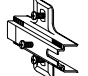
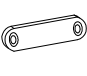


# MODENA NADSTAWKA RTV

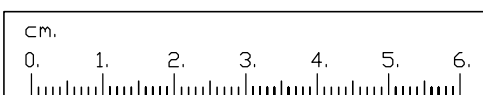
2



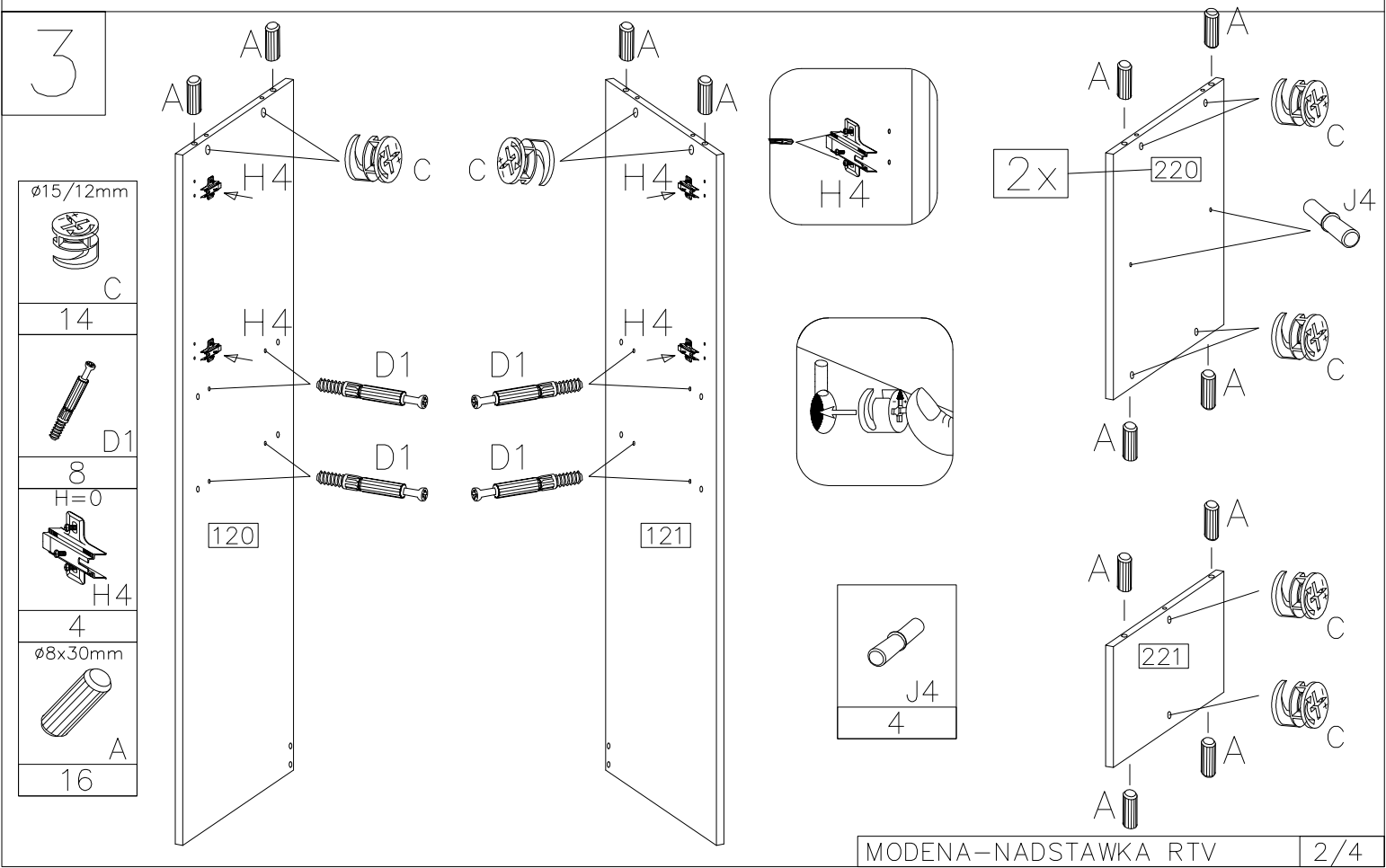
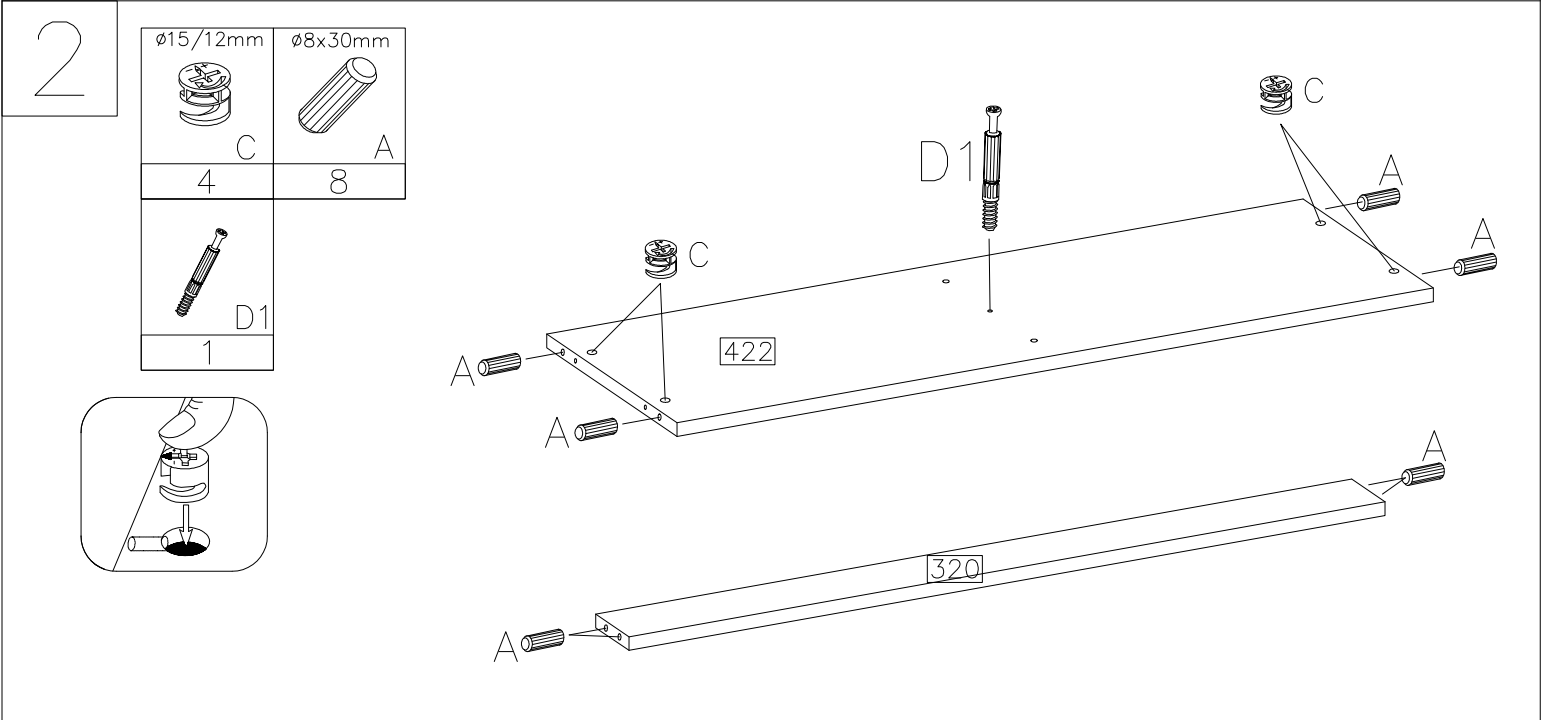
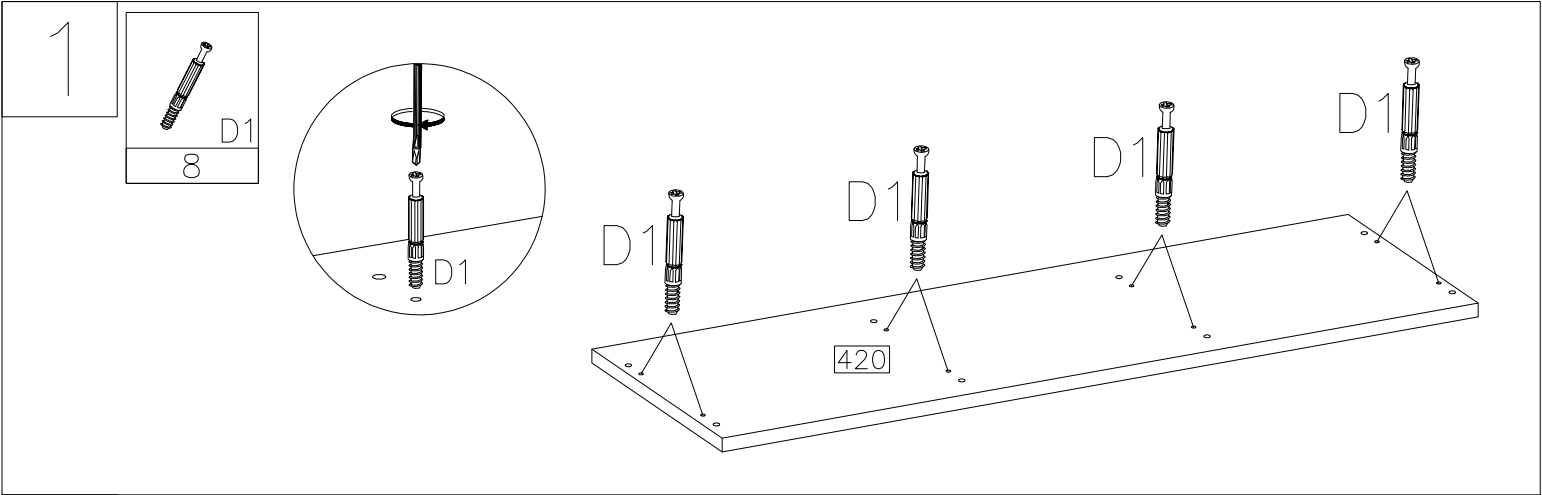
#	ART. NR	QUANTITY
1	420	1
2	421	1
3	422	1
4	120	1
5	121	1
6	220	2
7	221	1
8	520	1
9	620	2
10	020	3
11	320	1






 D1	 C	 A	 E	 F10	 S2	 R2
22	22	32	22	50	2	4
 P1	 G6	 H4	 B2	 Z1	 J4	
18	4	4	2	2	4	

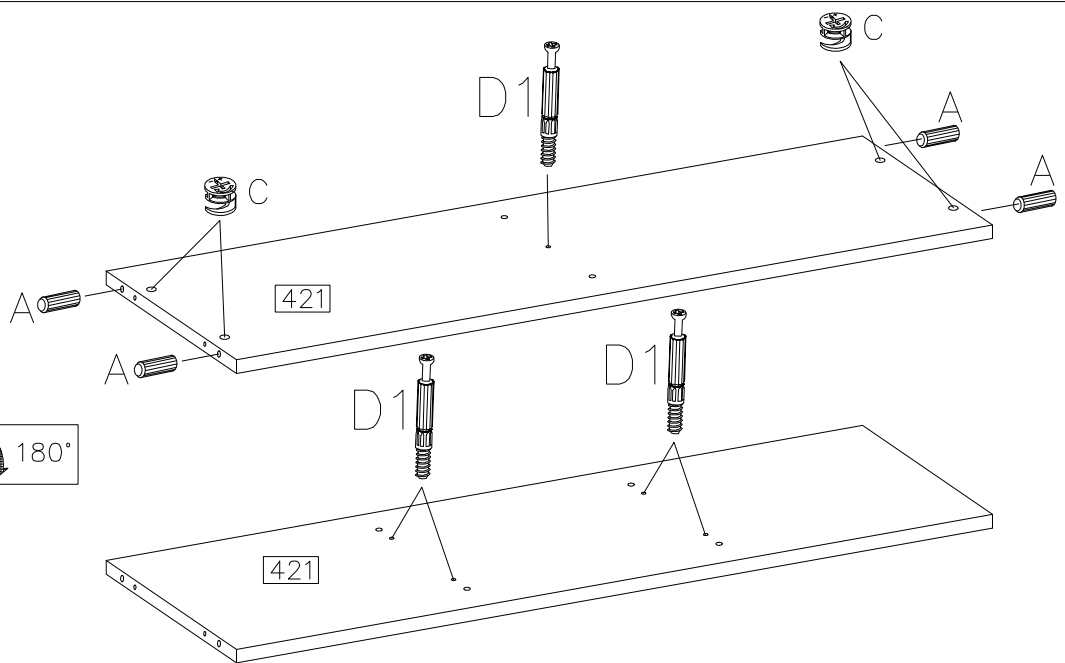
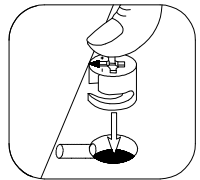










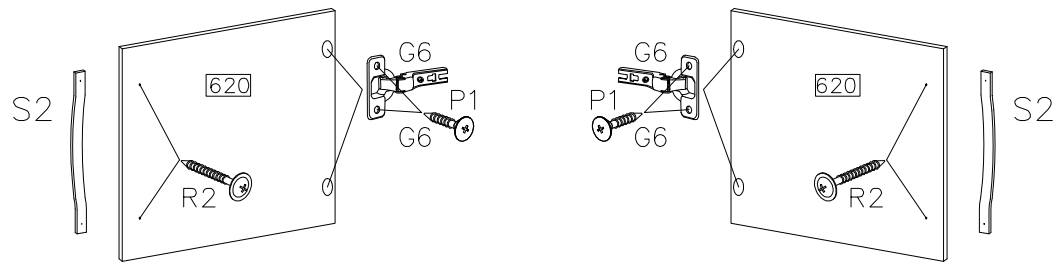
4

 ø15/12mm C 4	 ø8x30mm A 4
 D1 5	

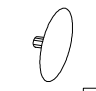


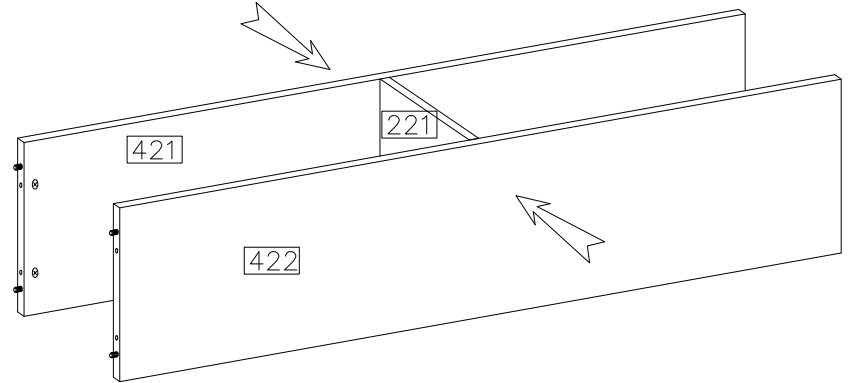
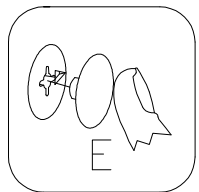
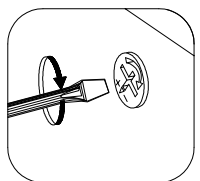
5

 ø35/KR-0 G6 4	 4.0x16mm P1 8
 S2 2	 4.0x27mm R2 4




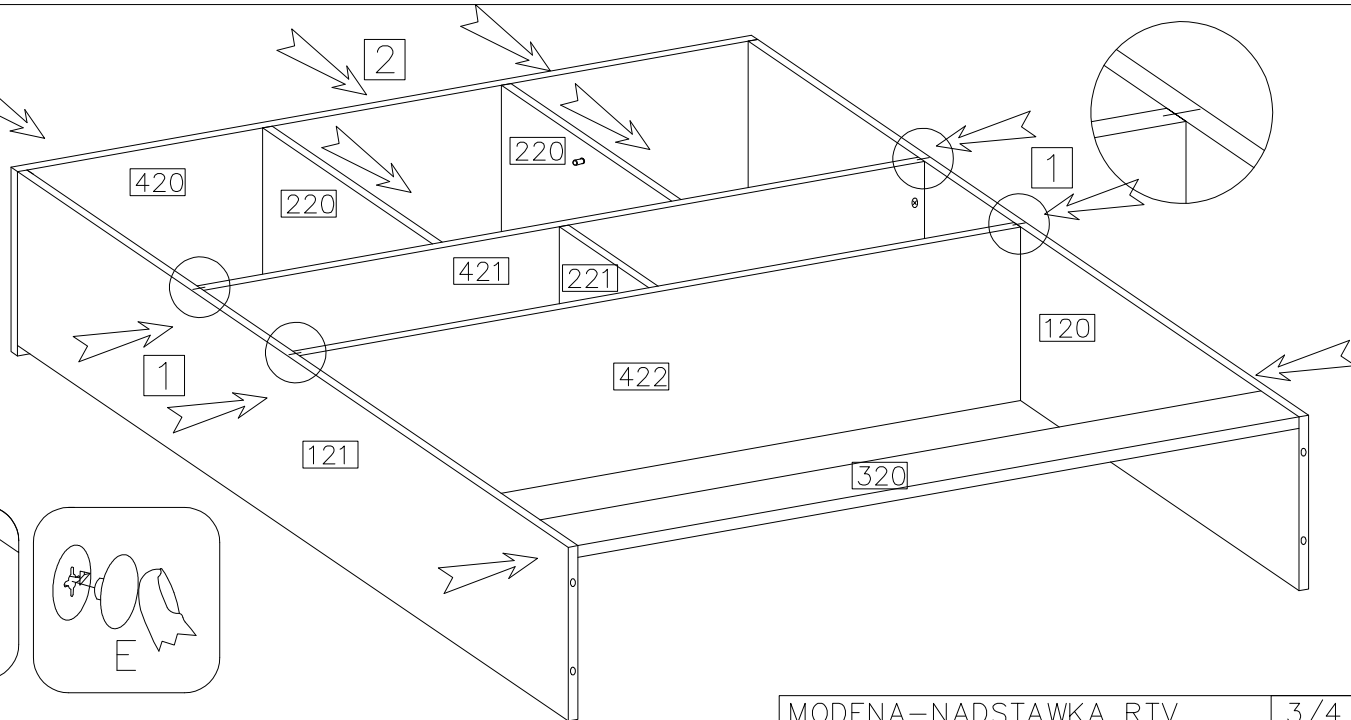
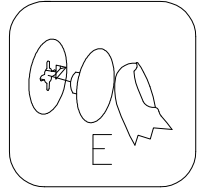
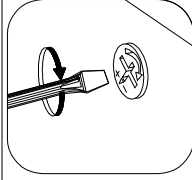
6

 E 2
---



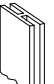


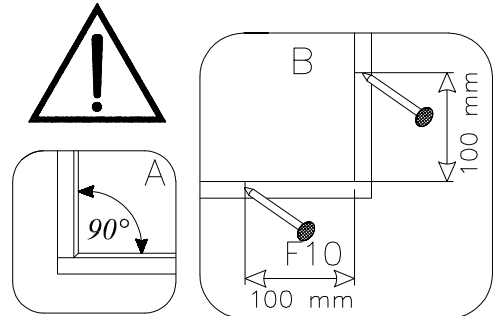
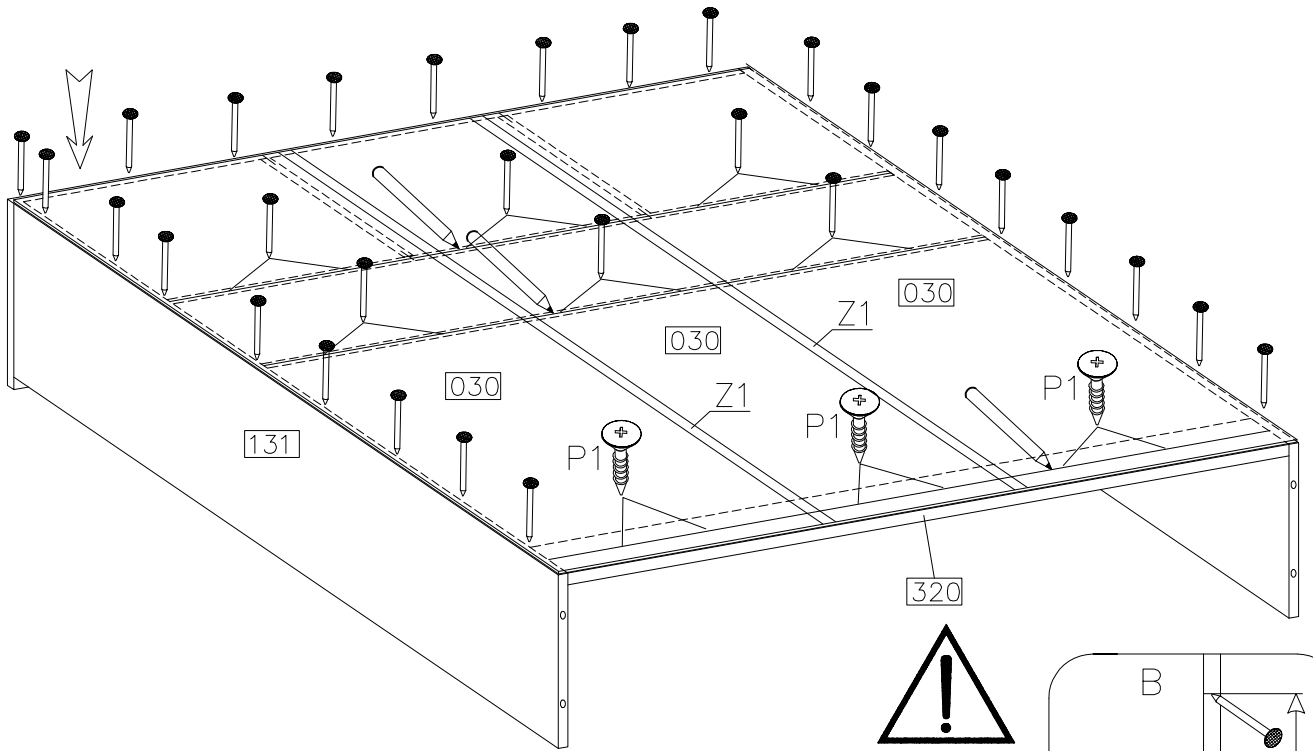
7

 E 20
---

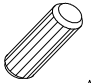

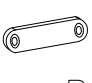


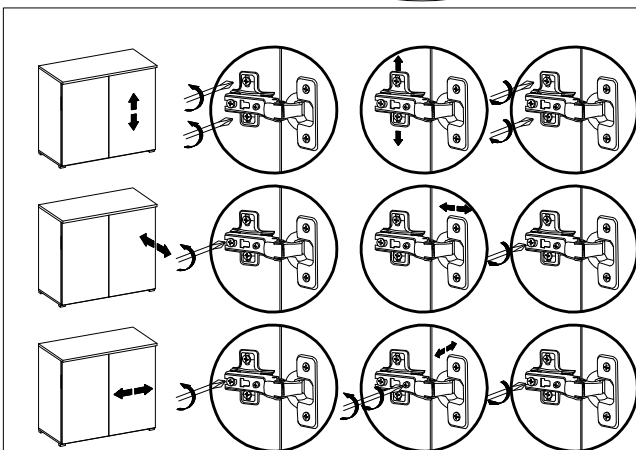
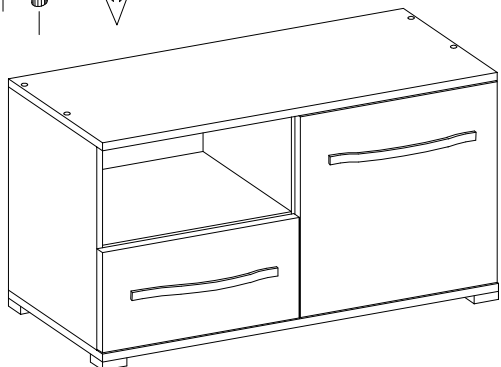
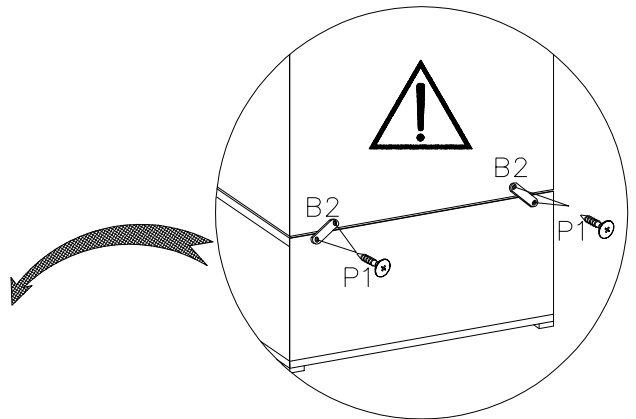
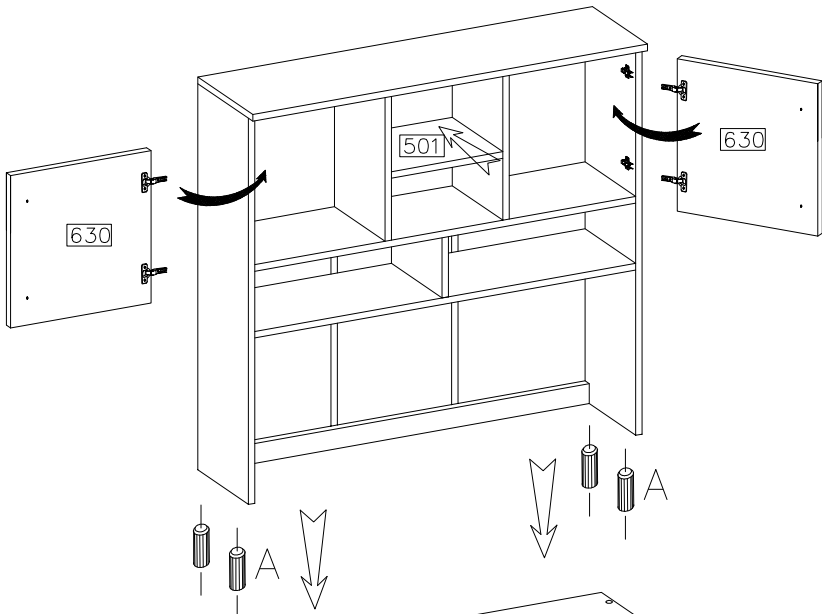
8

-  F10
- 50  
ø4.0x16mm
-  P1
- 6
-  Z1
- 2



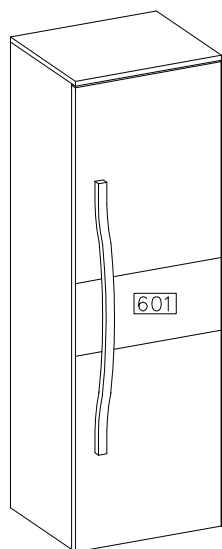
9

- |  |  |   |
|--|--|---|
|  ø8x30mm<br>A |  4.0x16mm<br>P1 | <br>B2 |
| 4  | 4  | 2   |

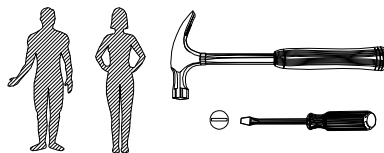


# MODENA

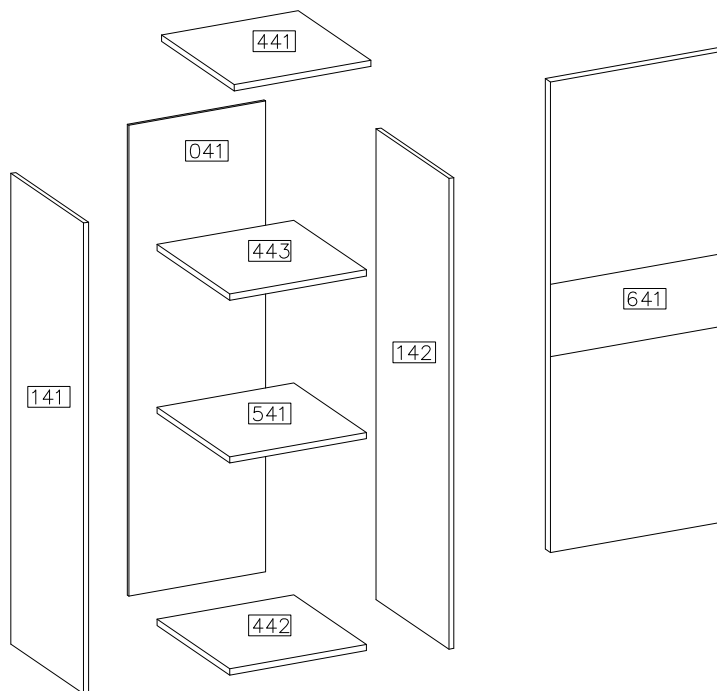
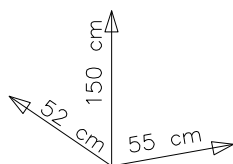
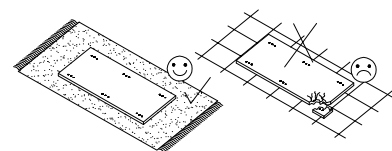
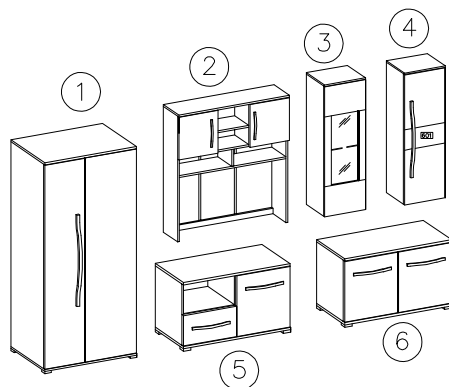
## REGAŁ 55



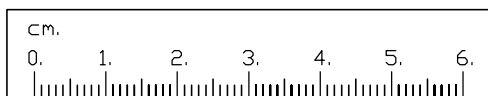
4



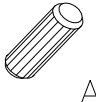


#	ART. NR	QUANTITY
1	441	1
2	442	1
3	443	1
4	141	1
5	142	1
6	041	1
7	641	1
8	541	1

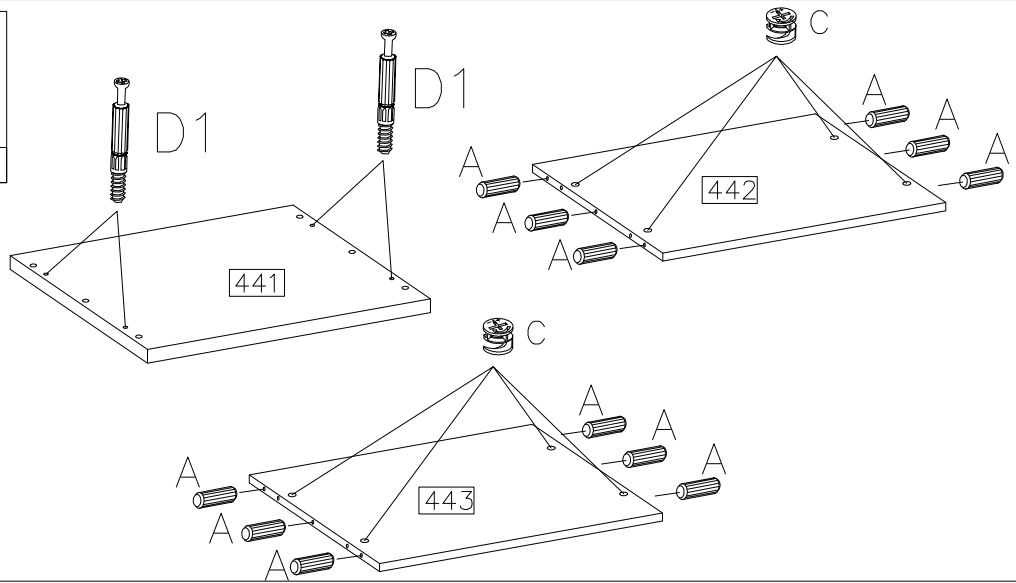
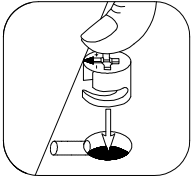


D1	$\varnothing 15/12\text{mm}$ C	E	$\varnothing 8 \times 30\text{mm}$ A	H=0 H4	$\varnothing 35/\text{KR}-0$ G6	$\varnothing 4.0 \times 16\text{mm}$ P1
12	12	12	20	3	3	10
F10	B2	S1	$4.0 \times 27\text{mm}$ R2	J4		
30	2	1	4	4		



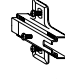




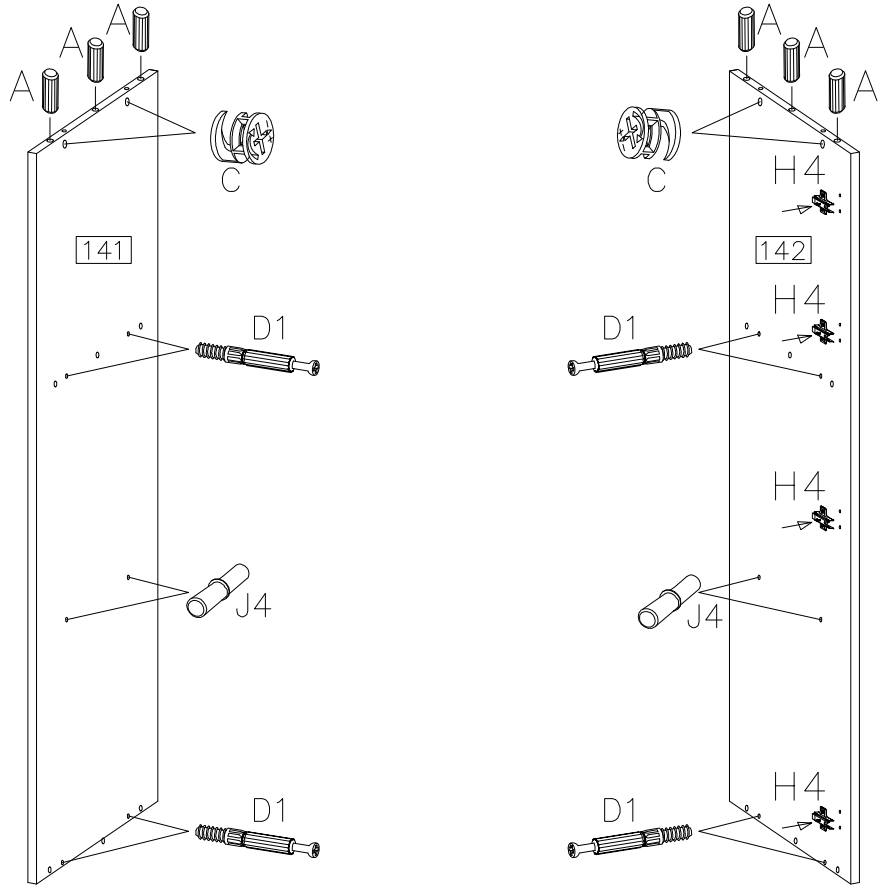
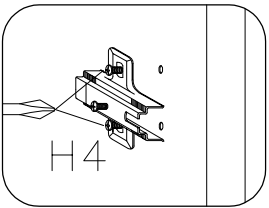
1

$\varnothing 8 \times 30 \text{mm}$	$\varnothing 15 / 12 \text{mm}$	
		
A	C	D1
12	8	4




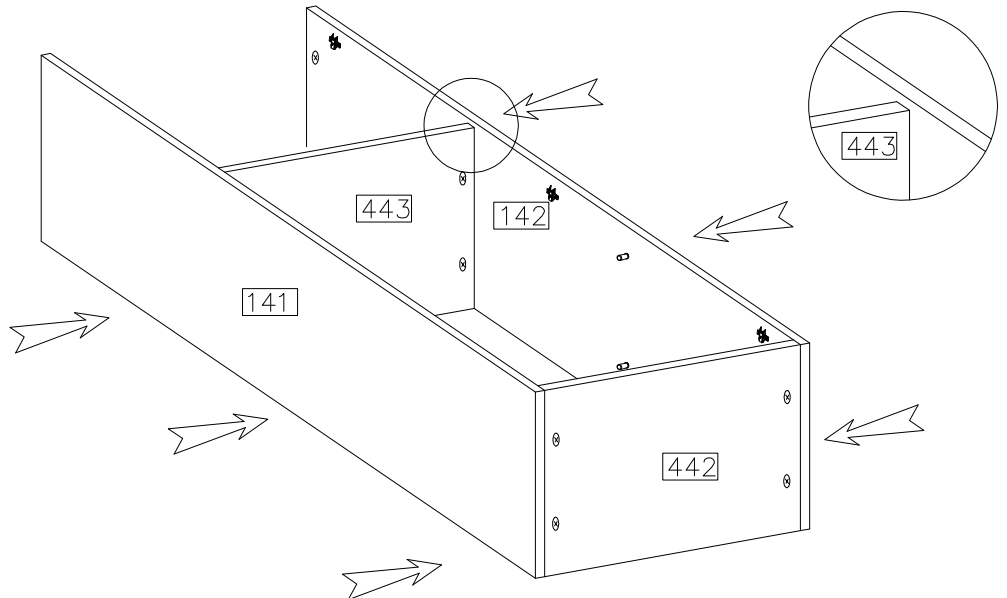
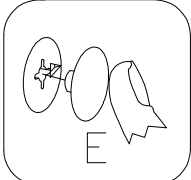
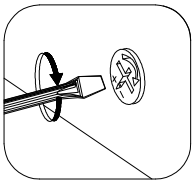
2

	$\varnothing 15 / 12 \text{mm}$
D1	
8	C
H=0	$\varnothing 8 \times 30 \text{mm}$
	
H4	A
3	6
	
J4	
4	

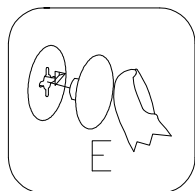
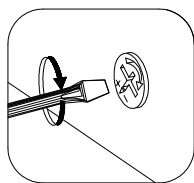
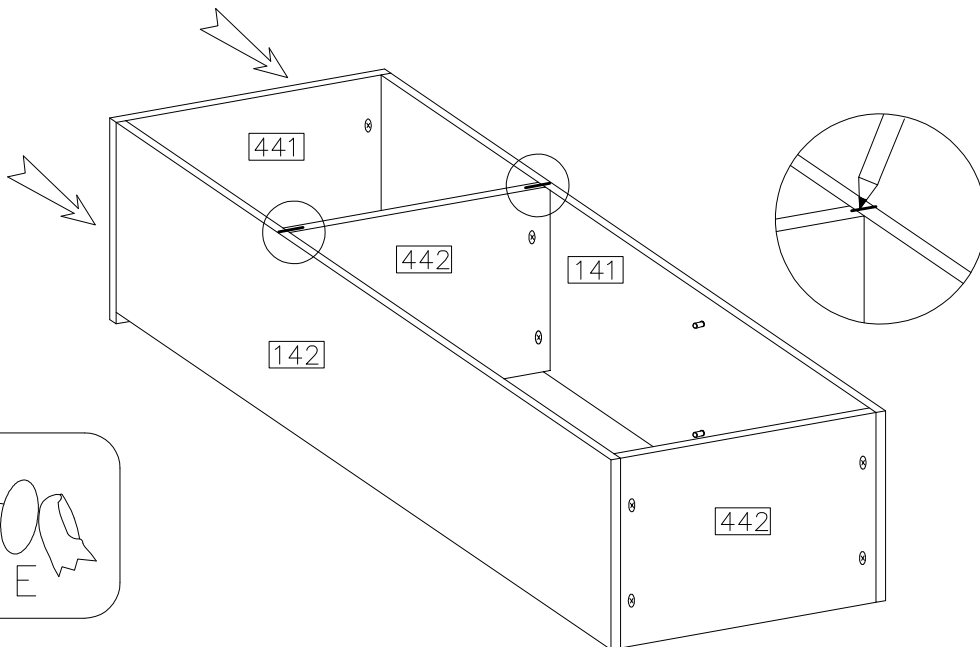
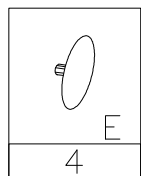


3

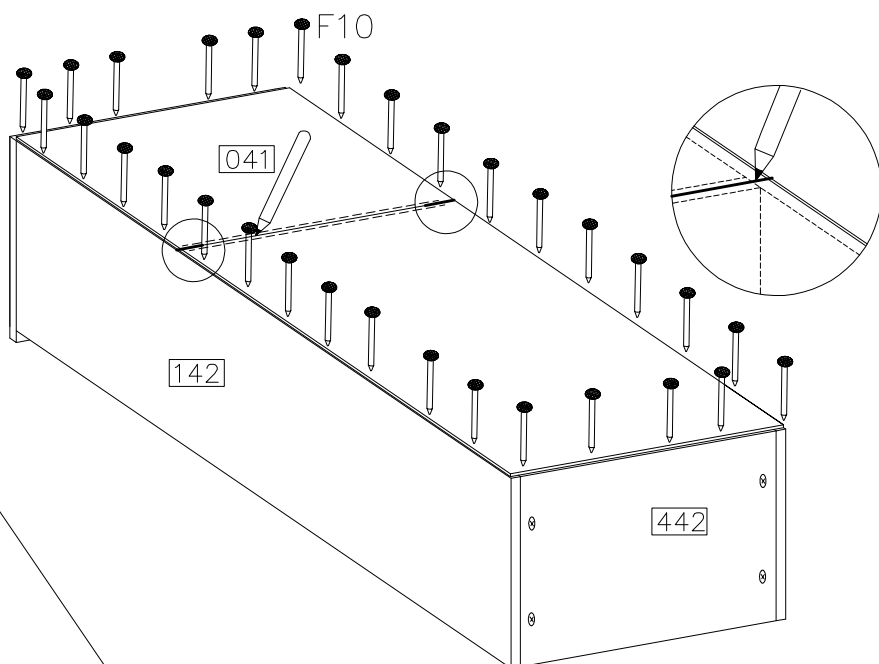
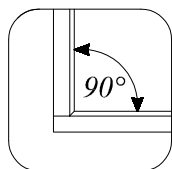
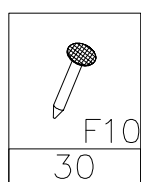

E
8



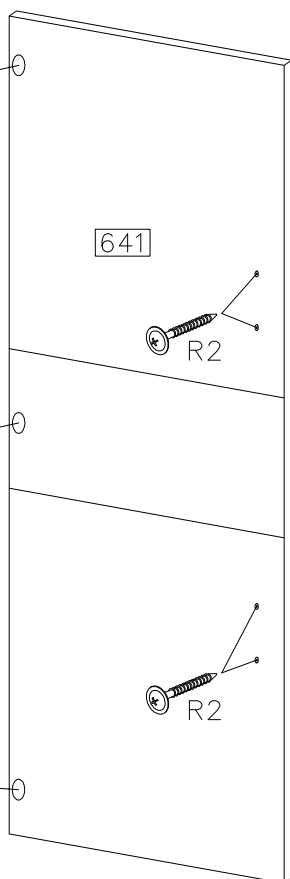
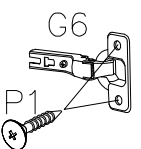
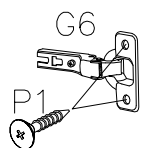
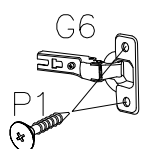
4



5

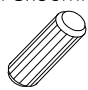




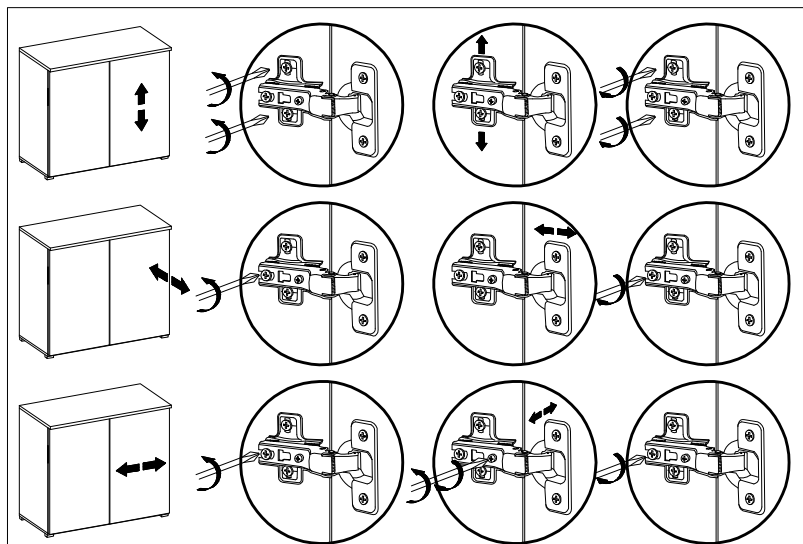
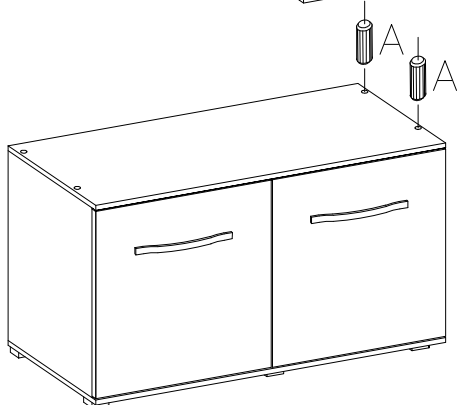
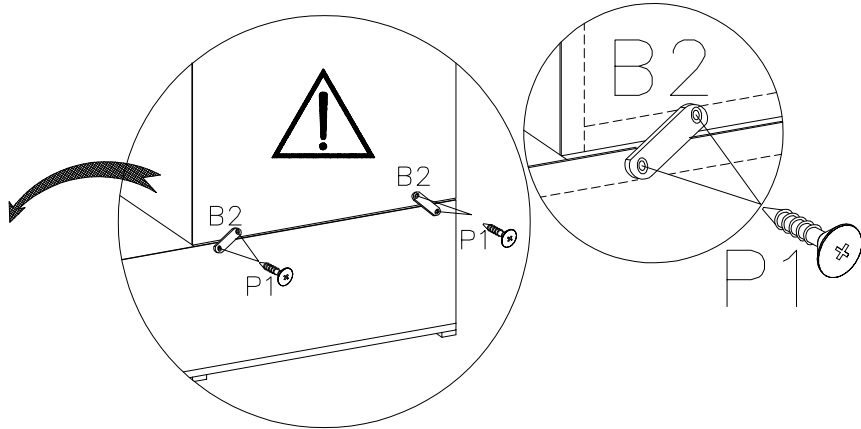
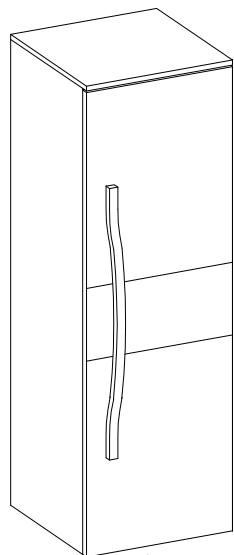
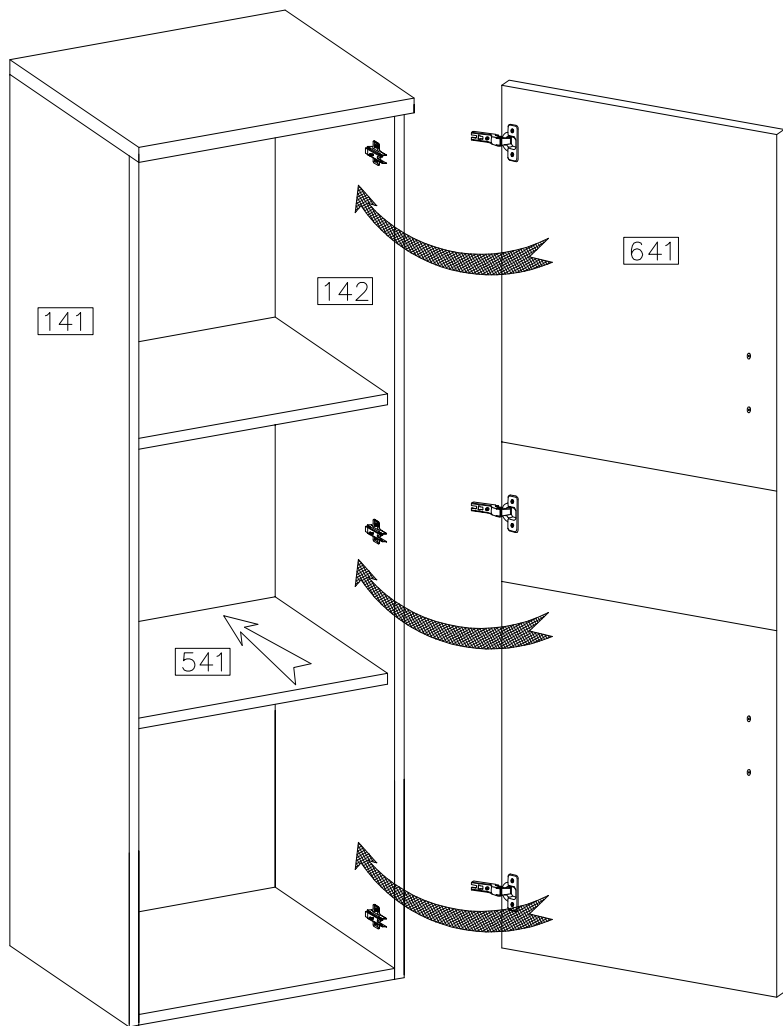
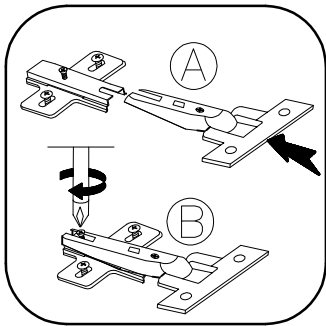
6



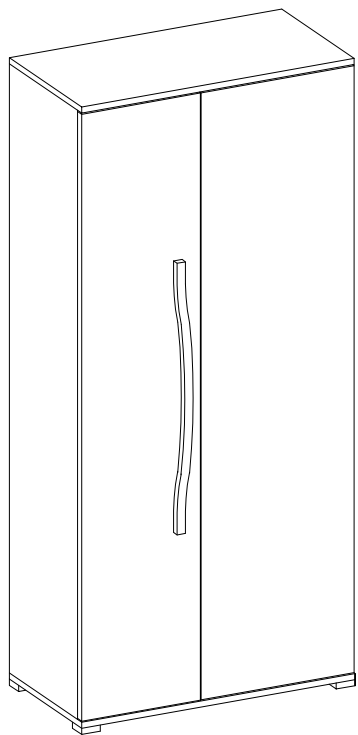
$\varnothing 35/KR-0$	$\varnothing 4.0 \times 16mm$
G6	P1
3	6
	4.0x27mm
S1	
1	R2
	4

7

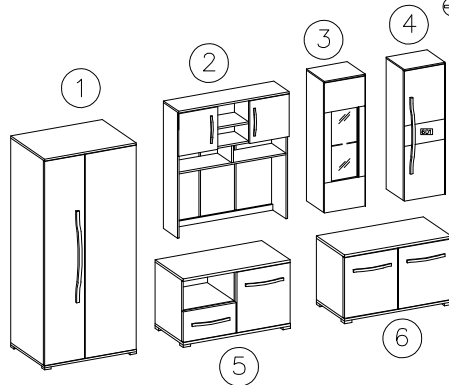
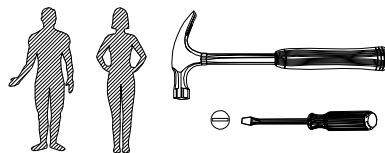
∅8x30mm 	4.0x16mm 	
A	P1	B2
2	4	2



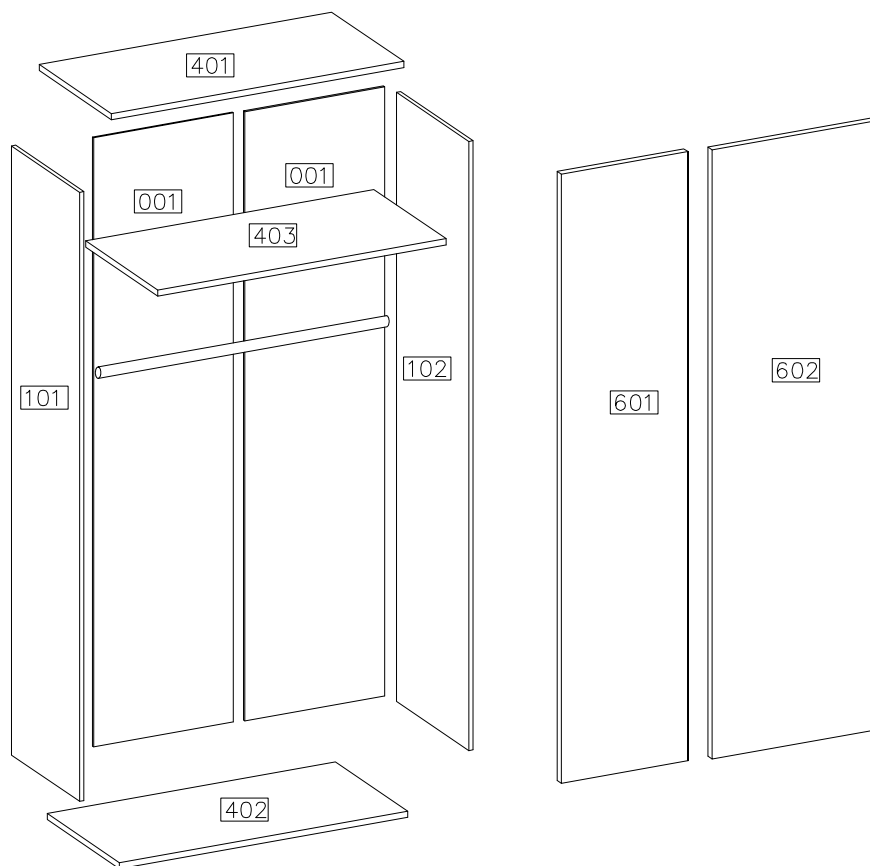
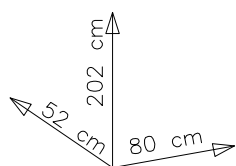
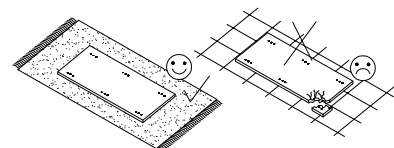
# MODENA SZAFA



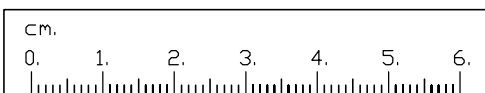
1



#	ART. NR	QUANTITY
1	401	1
2	402	1
3	403	1
4	101	1
5	102	1
6	001	2
7	601	1
8	602	1

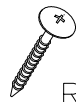
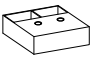


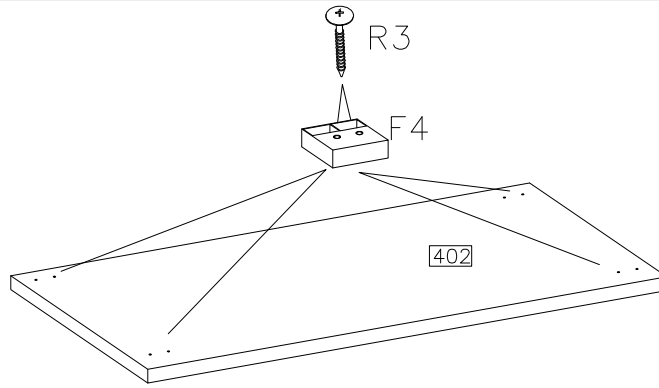
	ø15/12mm 	ø8x30mm 		4.0x35mm 				4.0x27mm 
12	12	16	12	8	4	60	1	4
			ø4.0x16mm 	ø35/KR-0 	H=0 			
1	2	1	16	6	6			





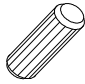


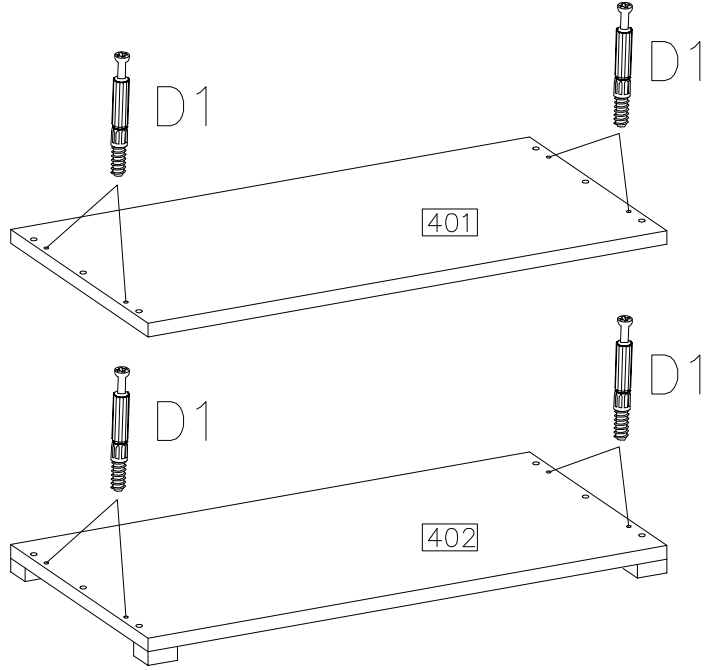
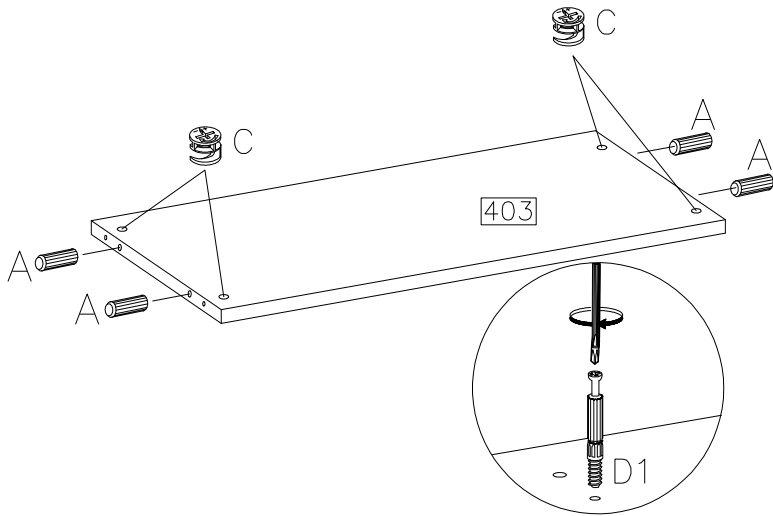
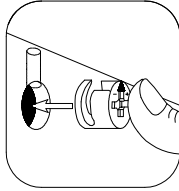
1

4.0x35mm  R3 8	 F4 4
---	---


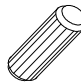

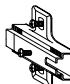

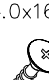


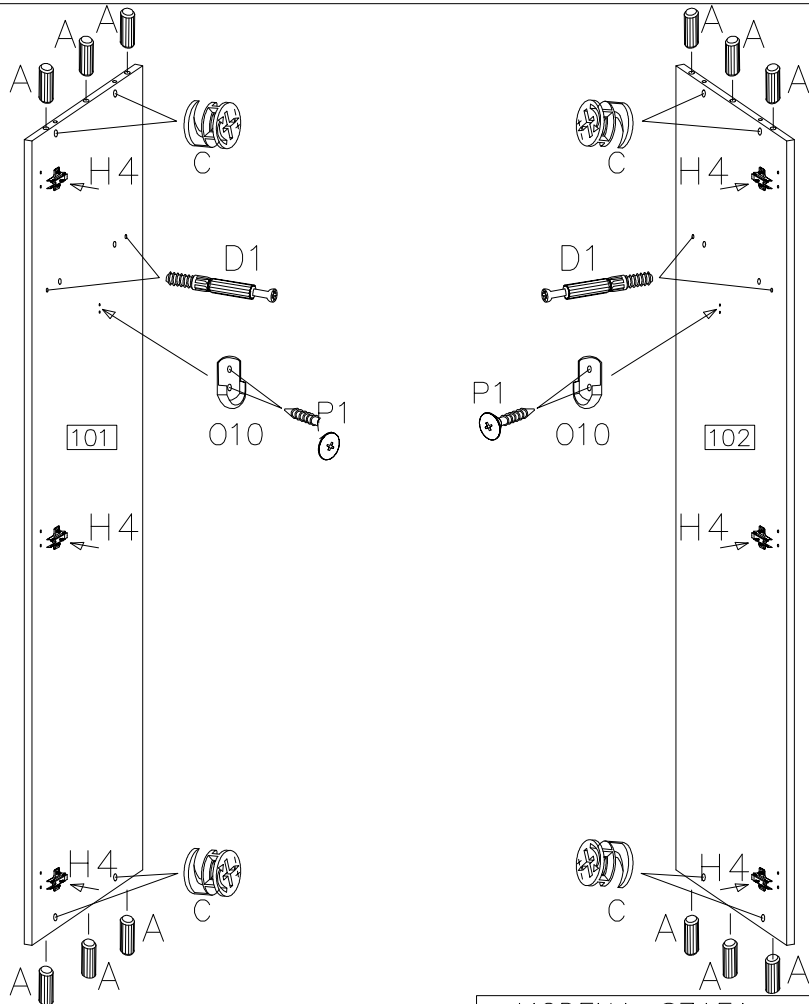
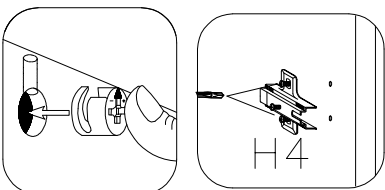
2

 D1 8	$\varnothing 15/12\text{mm}$  C 4	$\varnothing 8 \times 30\text{mm}$  A 4
--	---	---

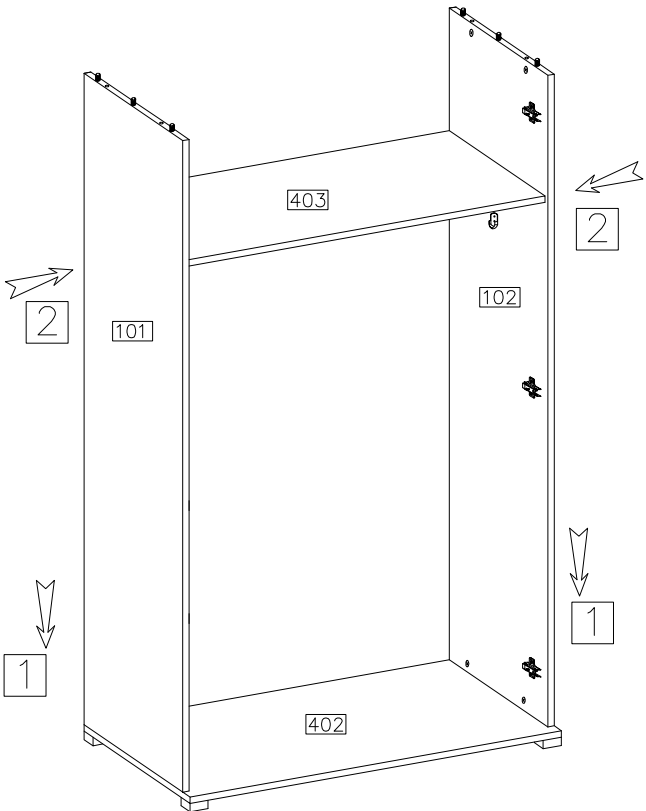
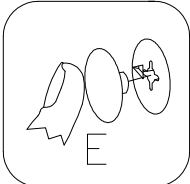
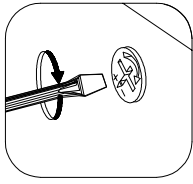
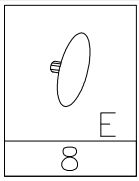


3

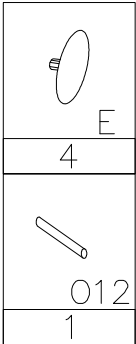
 D1 4	$\varnothing 8 \times 30\text{mm}$  A 12
 O10 2	H=0  H4 6
$\varnothing 15/12\text{mm}$  C 8	$\varnothing 4.0 \times 16\text{mm}$  P1 4



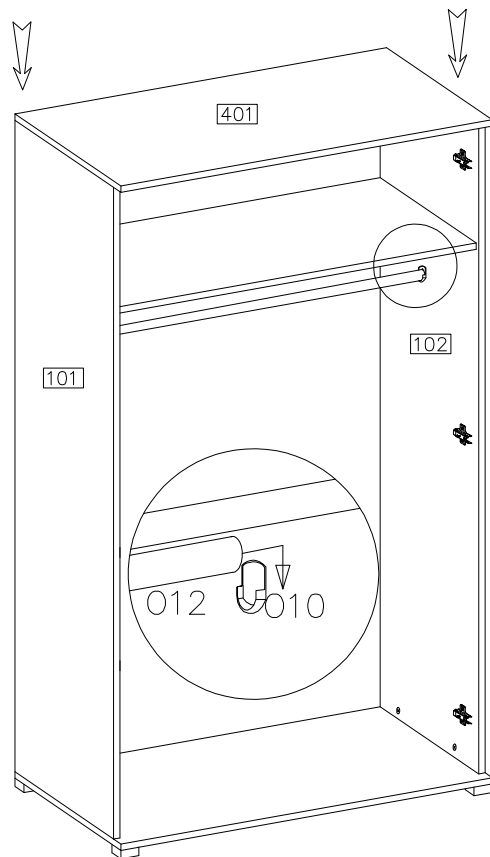
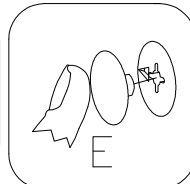
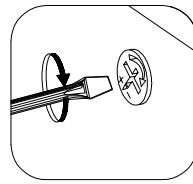
4



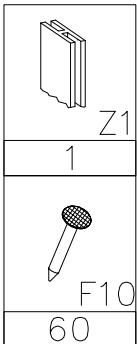
5



1



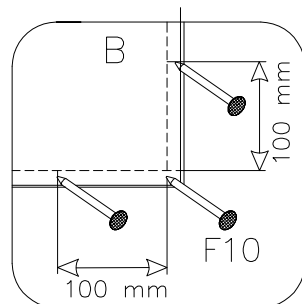
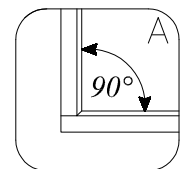
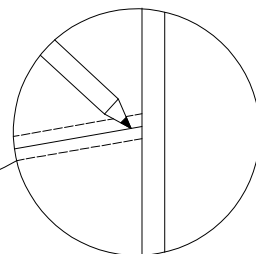
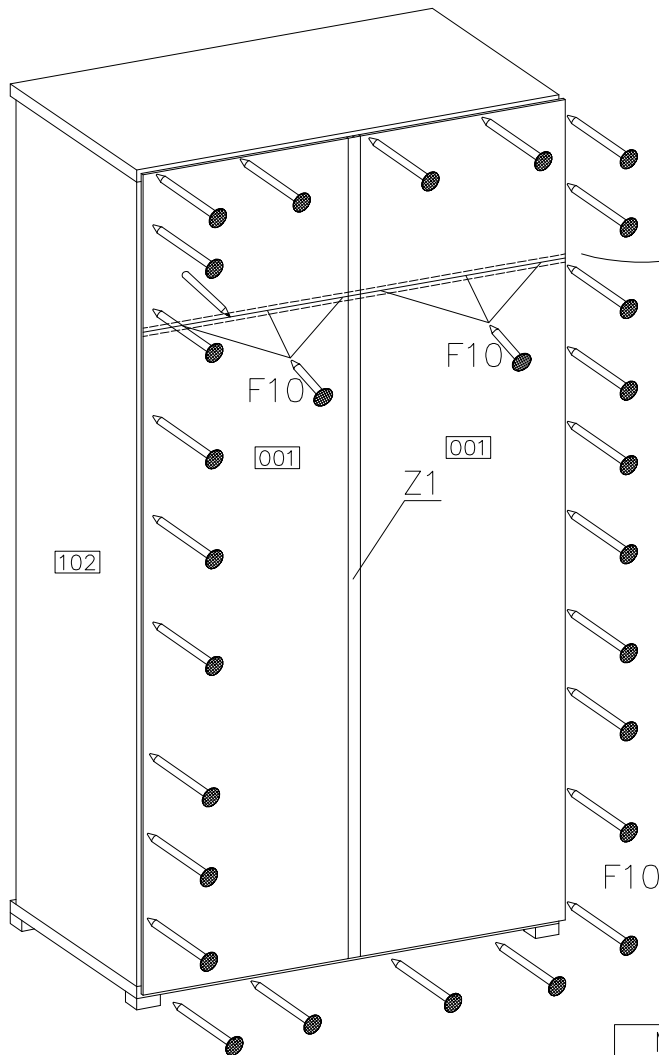
6



1

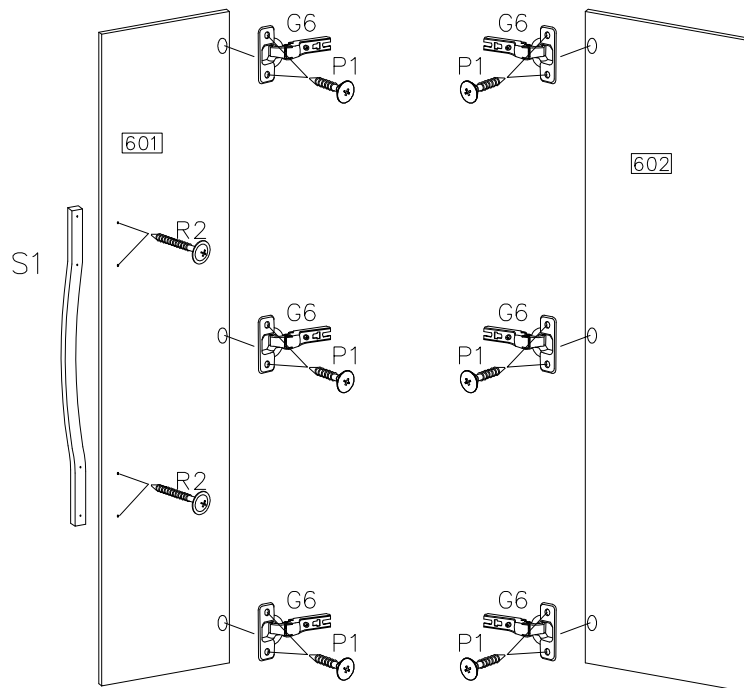


60

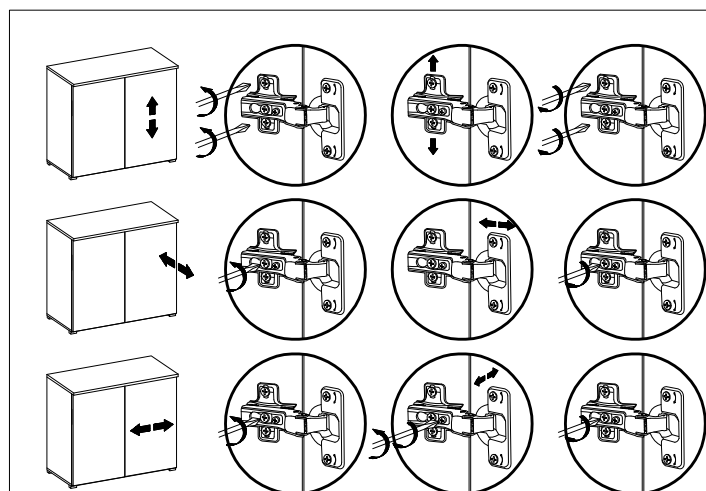
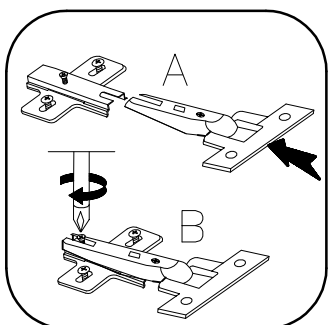
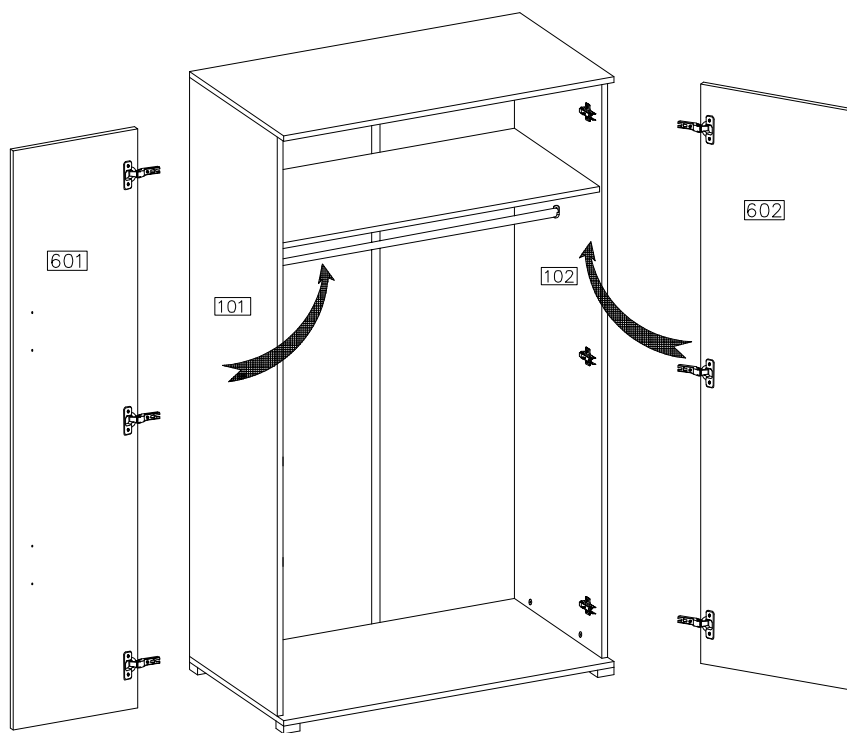


7

4.0x27mm R2	ø35/kR-0 G6
4	6
S1	P1
1	12

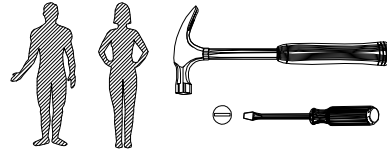
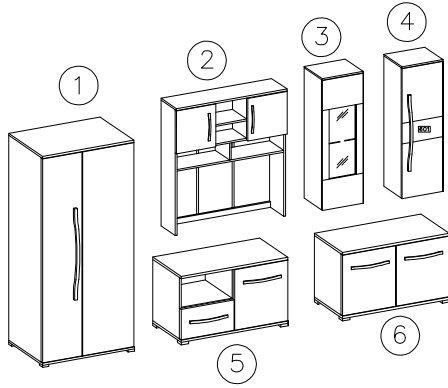
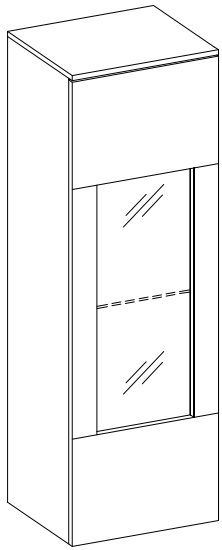


8

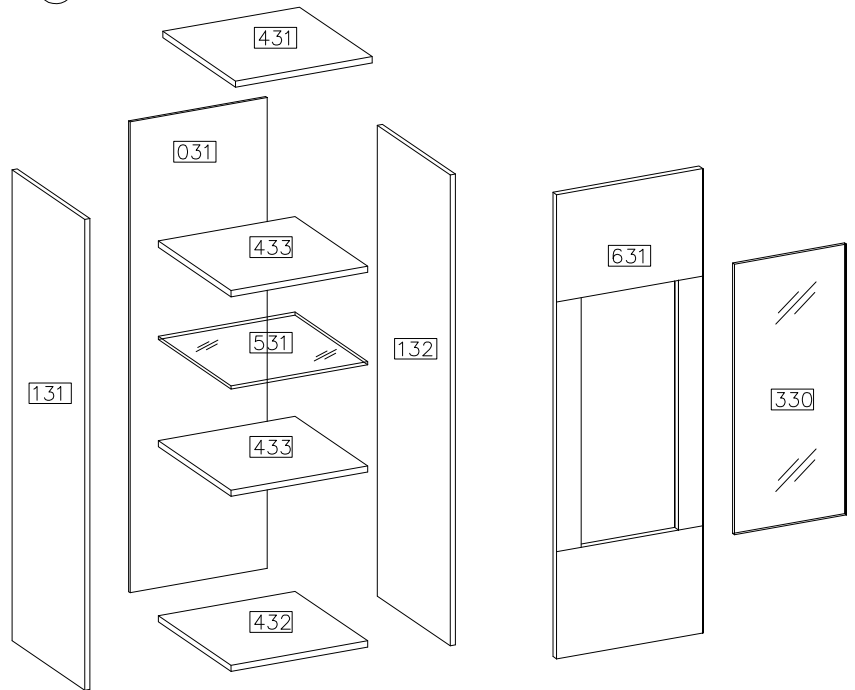
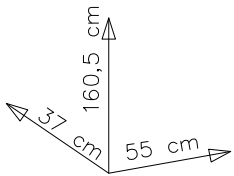


# MODENA WITRYNA

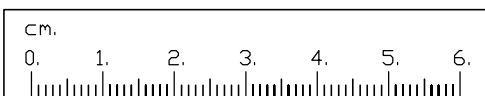
3



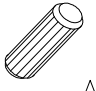


#	ART. NR	QUANTITY
1	431	1
2	432	1
3	433	2
4	131	1
5	132	1
6	531	1
7	330	1
8	031	1
9	631	1

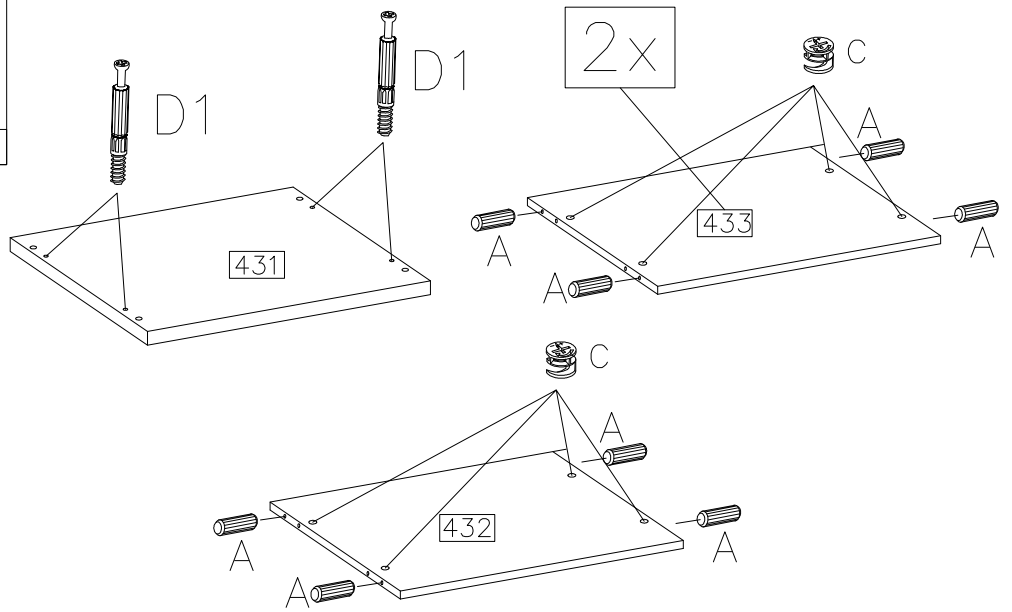
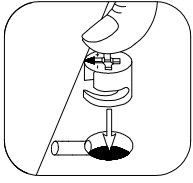


	ø15/12mm 		ø8x30mm 	H=0 	ø35/KR-0 	ø4.0x16mm 
D1	C	E	A	H4	G6	P1
16	16	16	18	3	3	16
F10	B2	J4	U			
30	2	4	6			



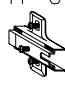




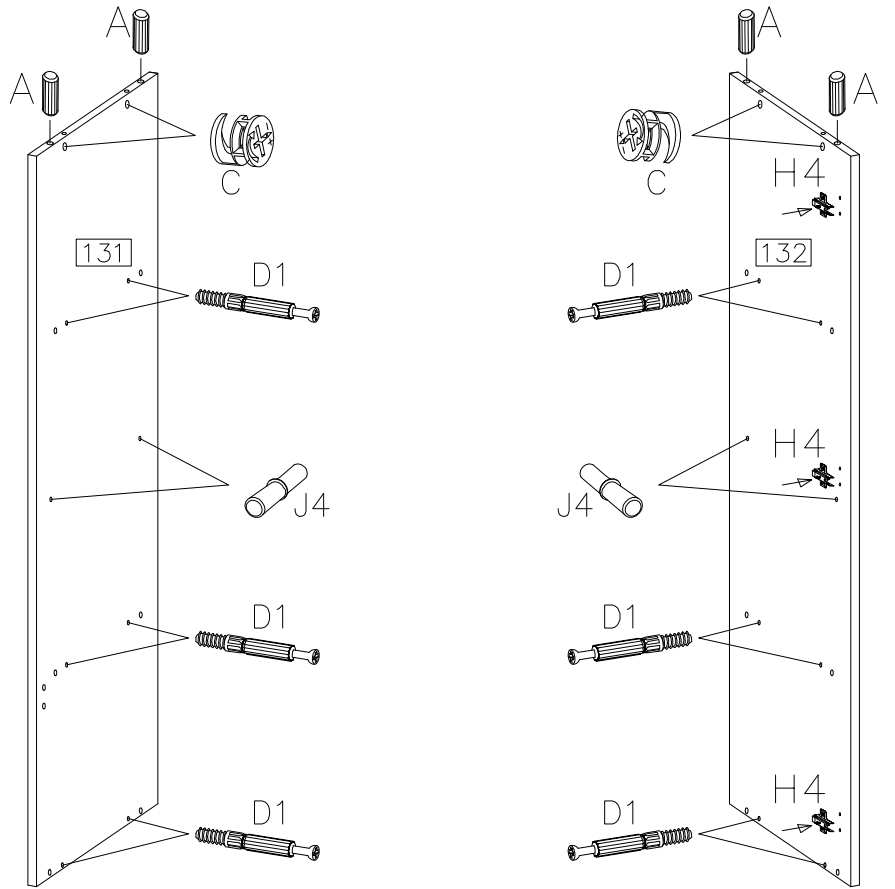
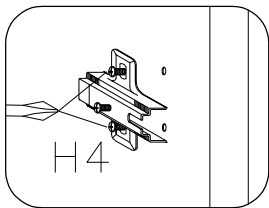
1

 A	 C	 D1
12	12	4




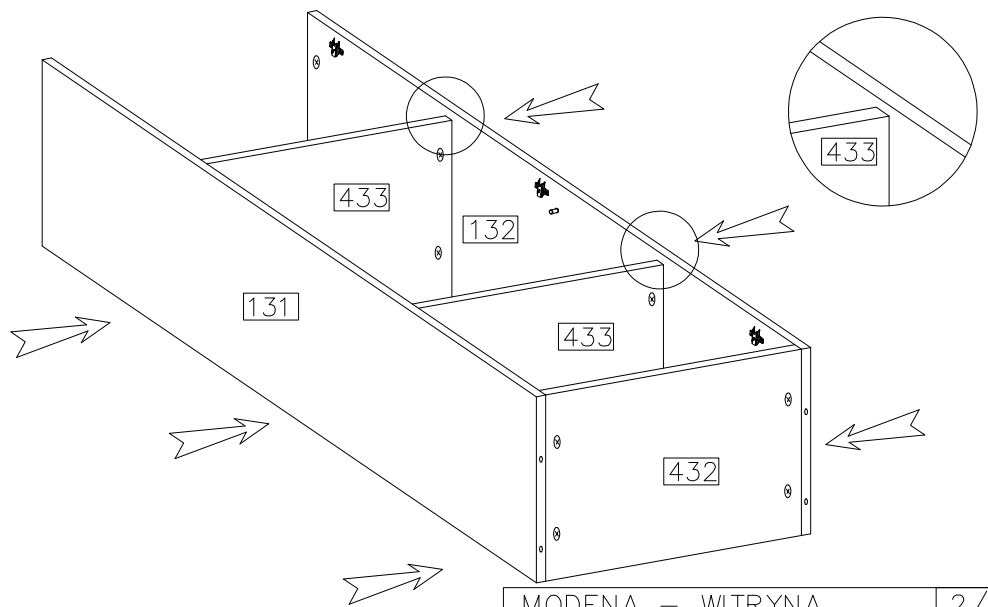
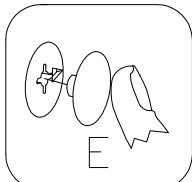
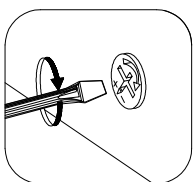
2

 D1	 C
12	4
H=0	 H4
3	 A
 J4	4

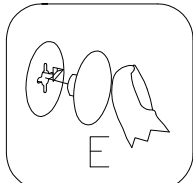
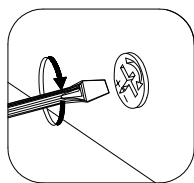
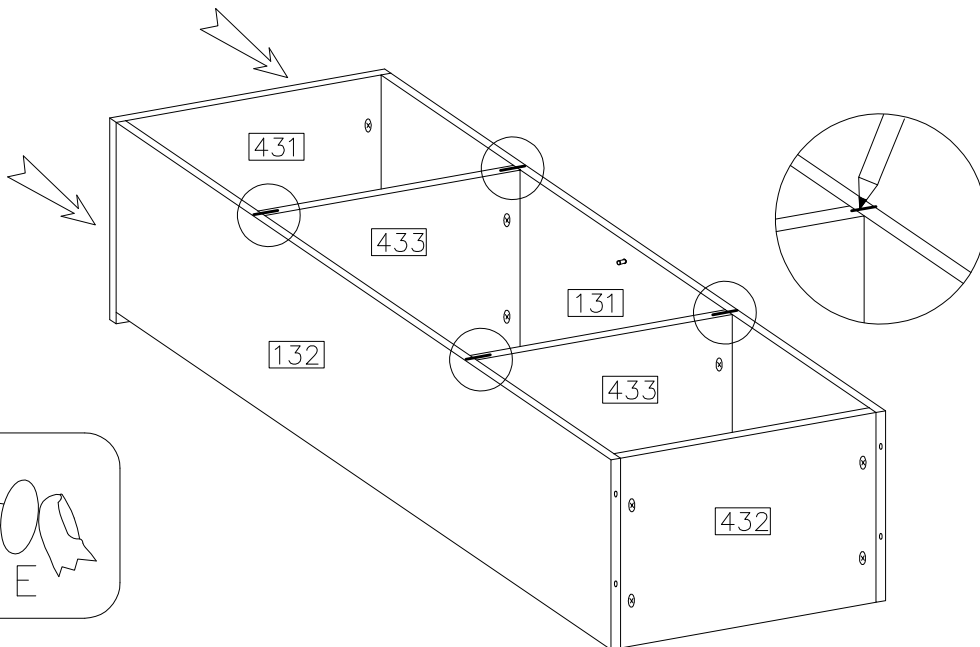
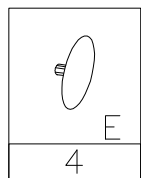


3

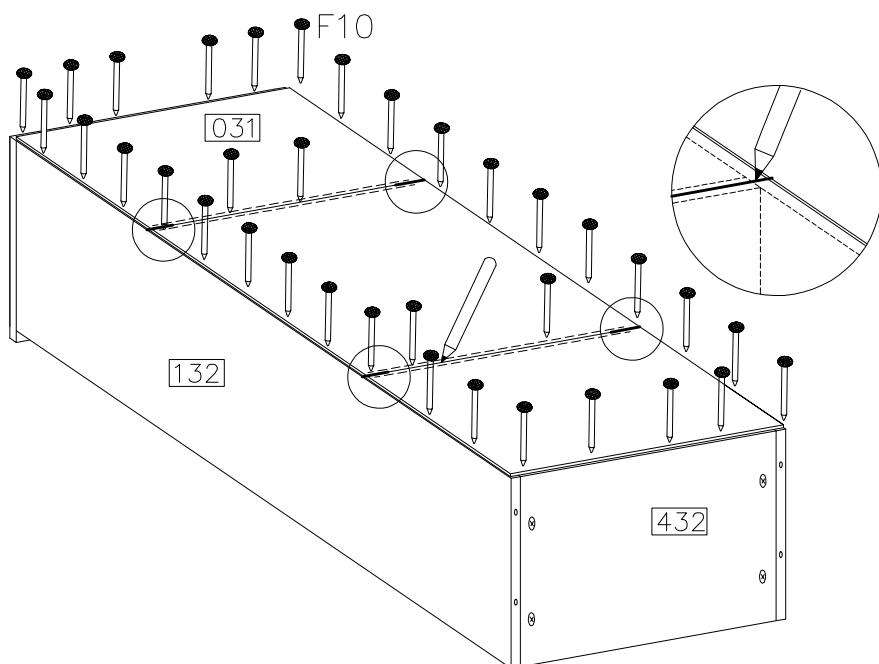
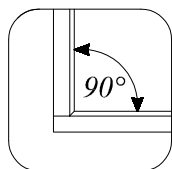
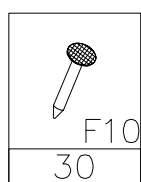
 E
12



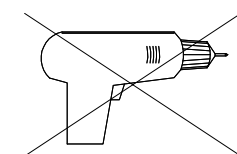
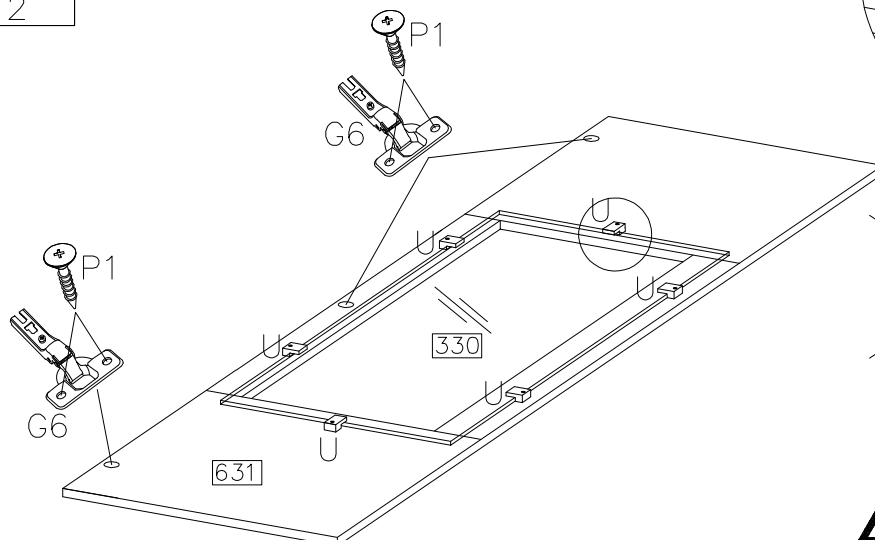
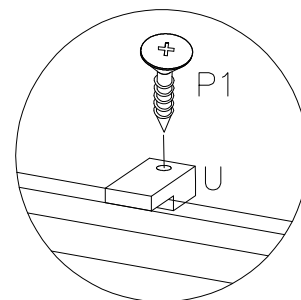
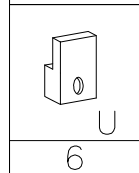
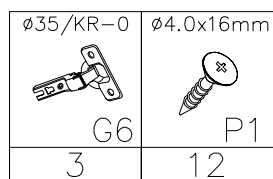
4



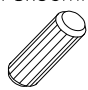

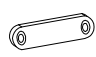
5



6



7

 A 2	 P1 4	 B2 2
--	---	---

