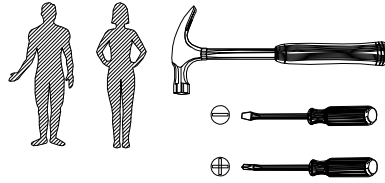
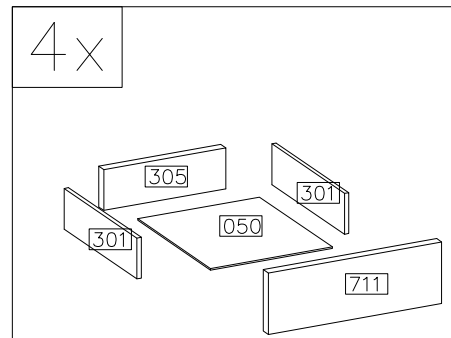
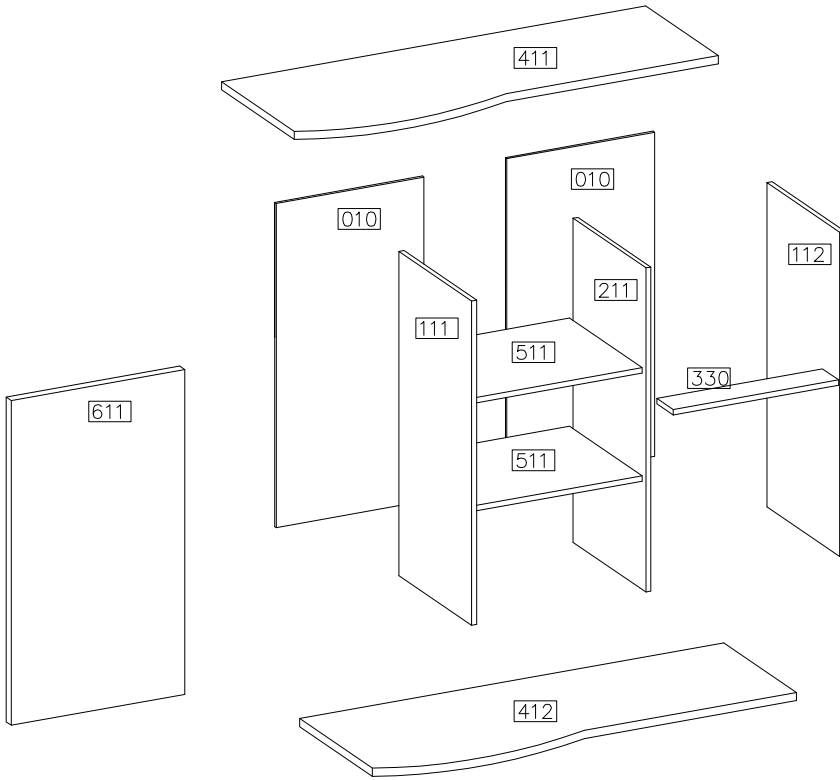
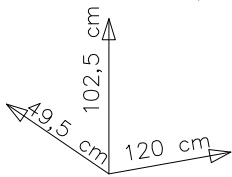
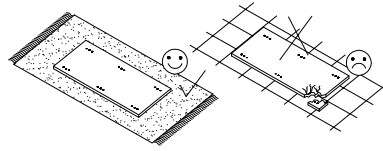
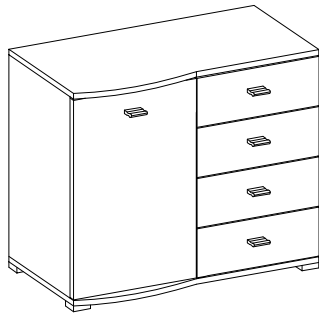



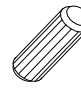
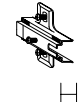
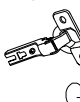






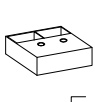
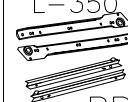

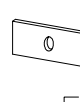



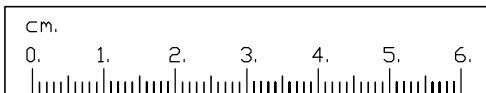
# GRENADA KOMODA



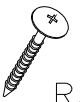
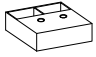
#	ART. NR	QUANTITY
1	411	1
2	412	1
3	111	1
4	112	1
5	211	1
6	611	1
7	511	2
8	711	4
9	301	8
10	305	4
11	050	4
12	010	2
13	330	1

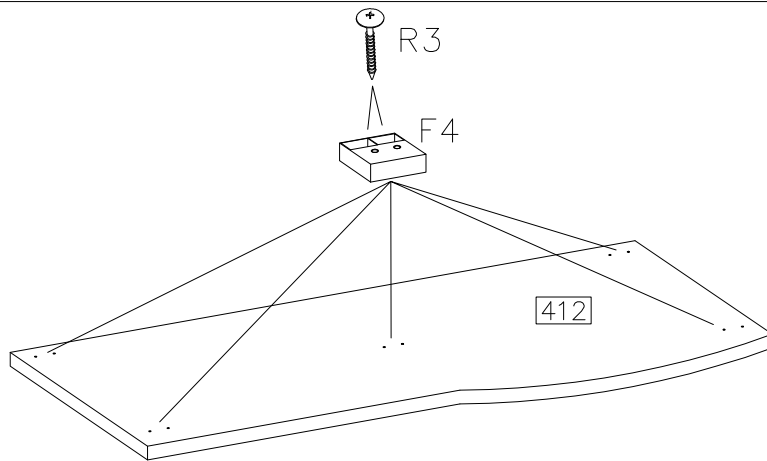


									
ø15/12mm	ø8x30mm	H=0	ø35/KR-0	3.5x13mm	ø4.0x16mm	4.0x27mm			
12	12	12	48	2	2	16	20	5	10
									
4.0x35mm	L-350								
70	10	5	4KPL	4	5	8			




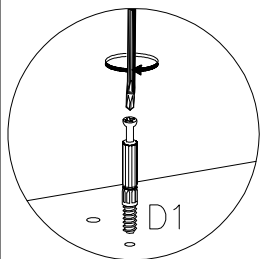
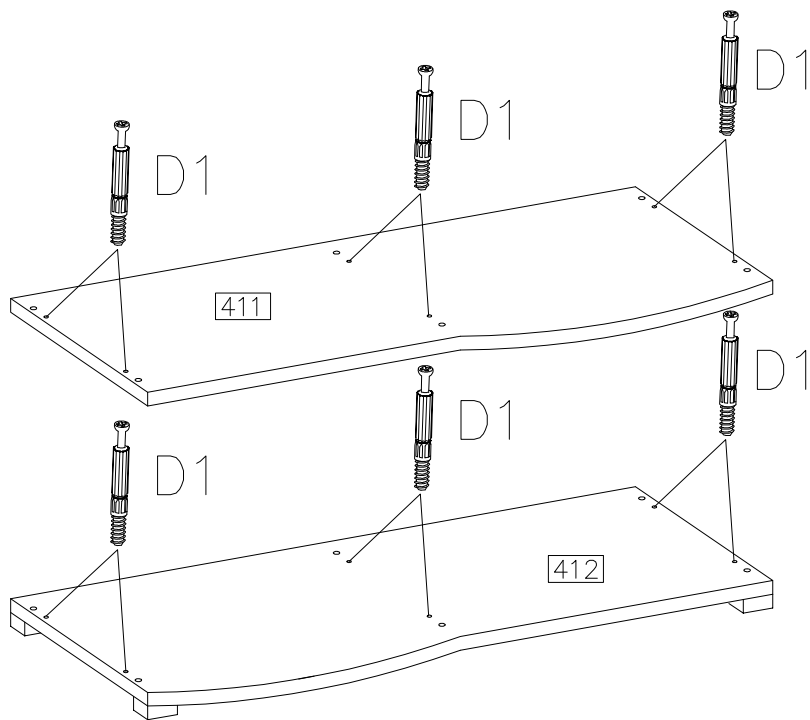
1

4.0x35mm		
	R3	F4
	10	5


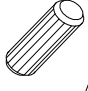




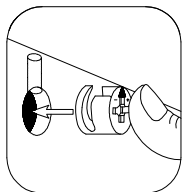
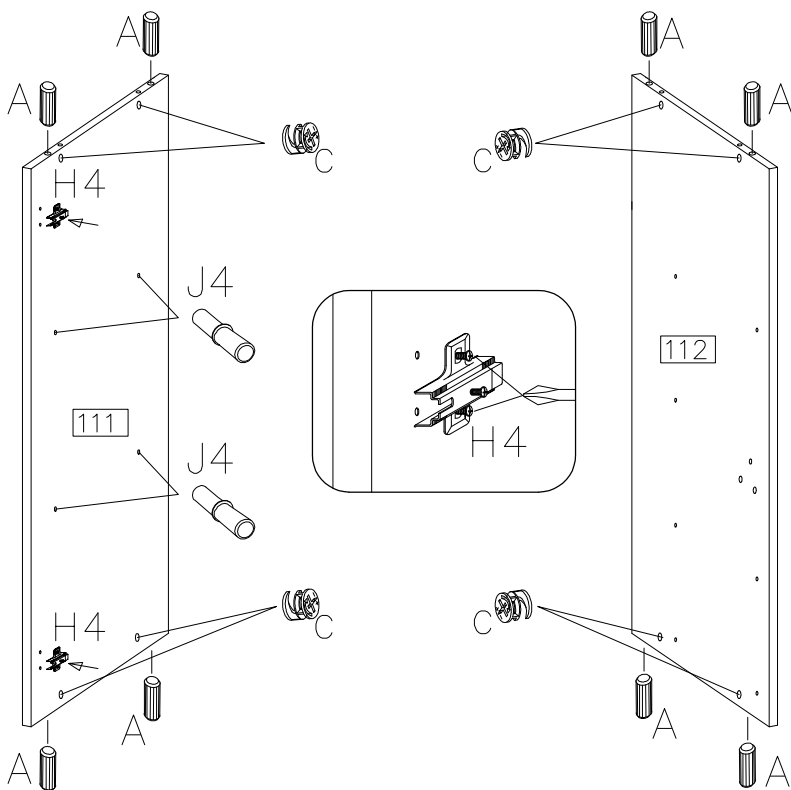
2


D1
12


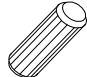



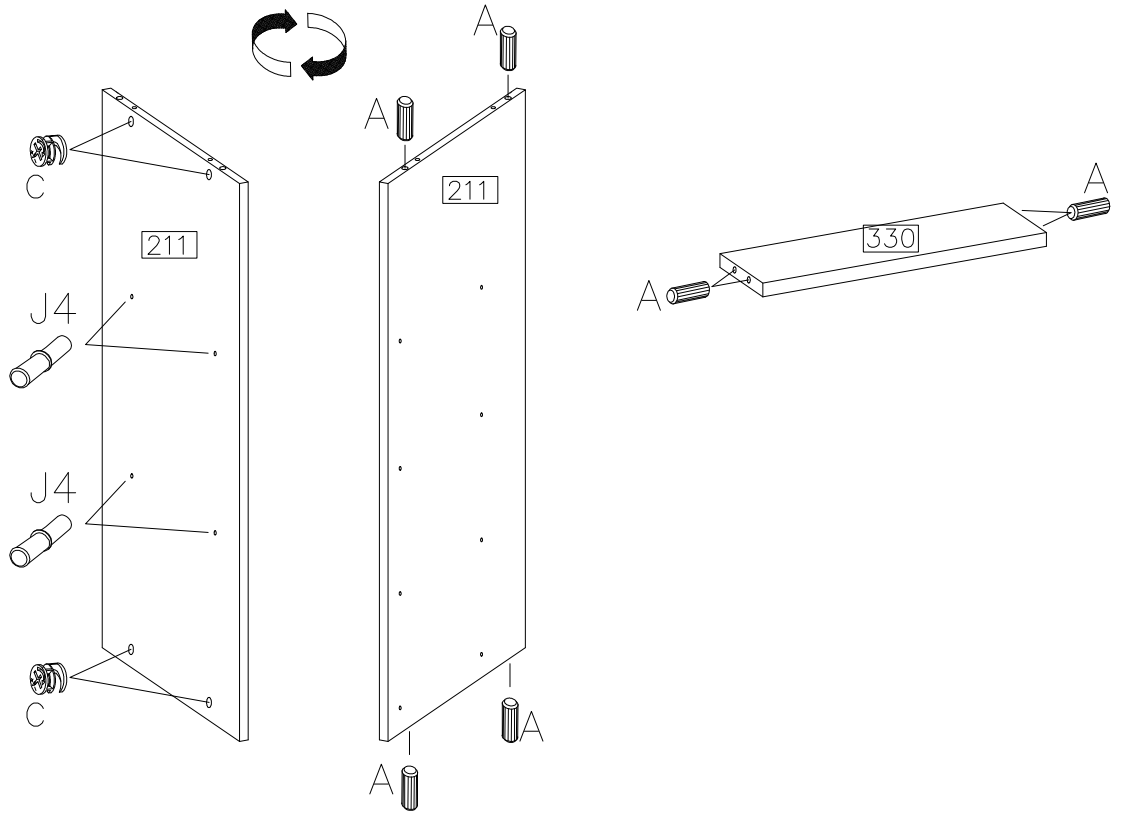
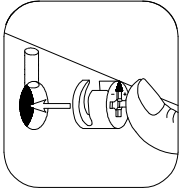
3

H=0	∅8x30mm	∅15/12mm
		
H4	A	C
2	8	8
		
J4		
4		




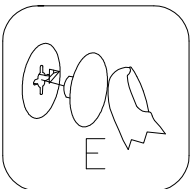
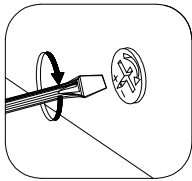
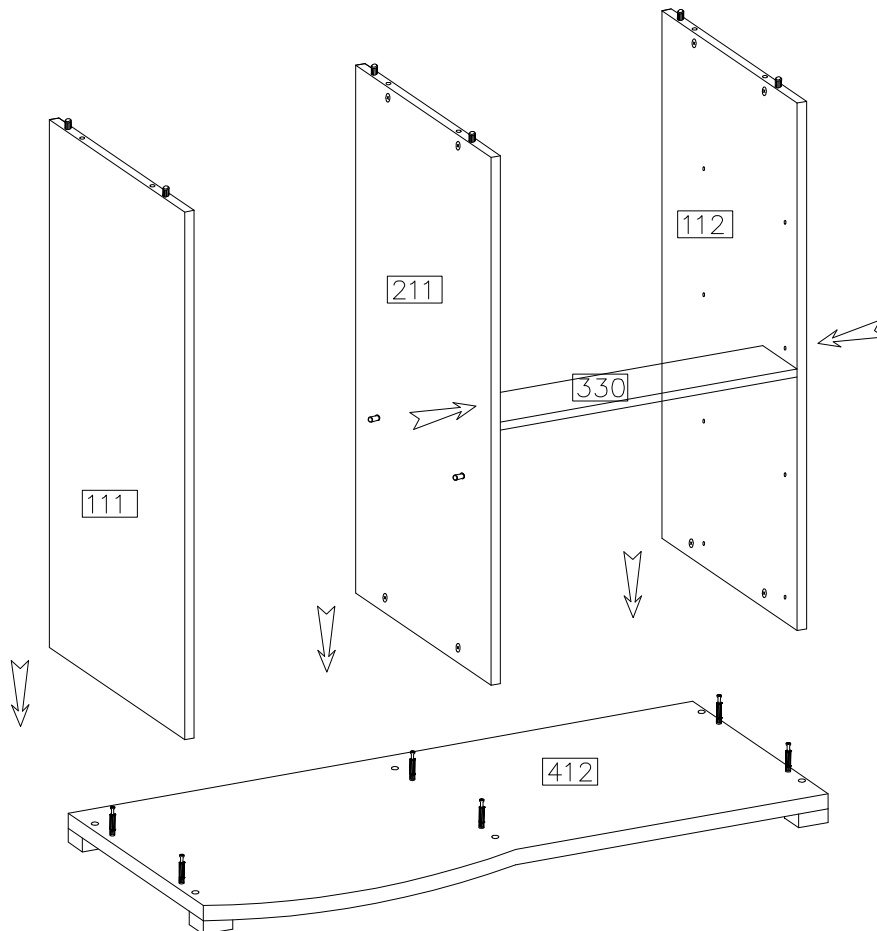
4

 C 4	 A 8
 J4 4	





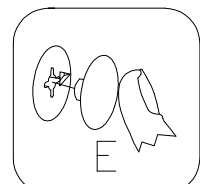
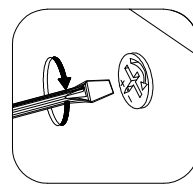
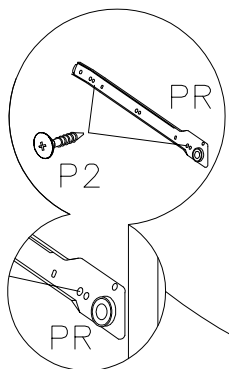
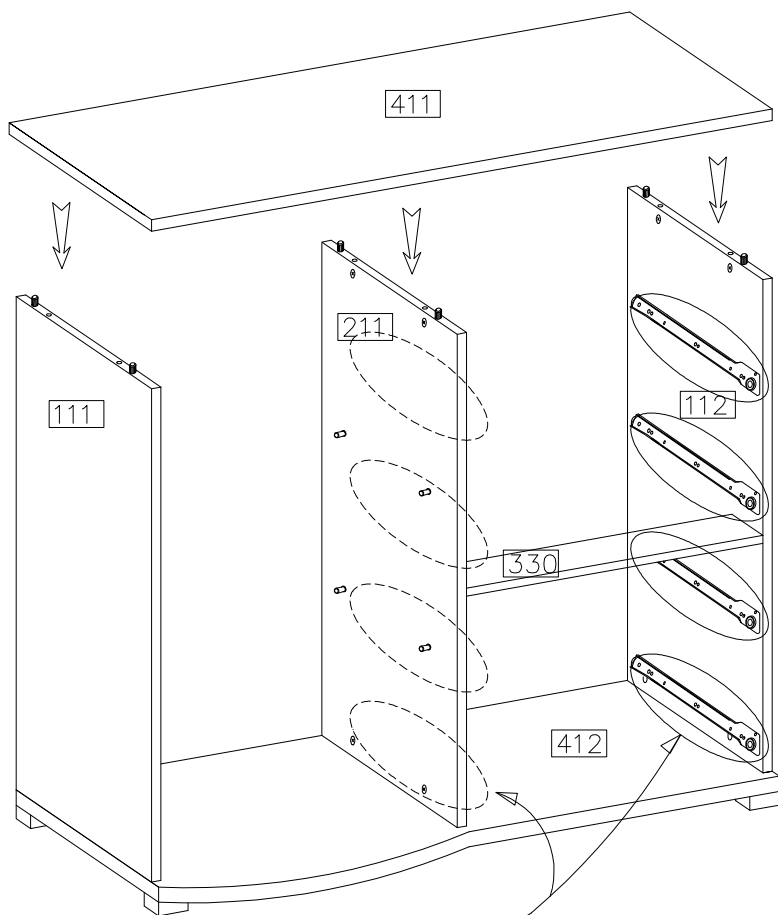
5

 E 6
---


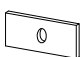


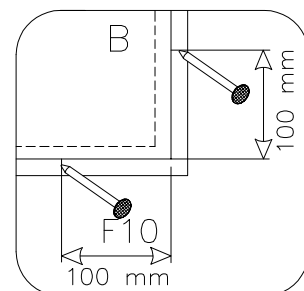
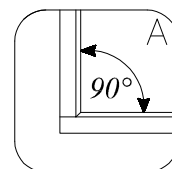
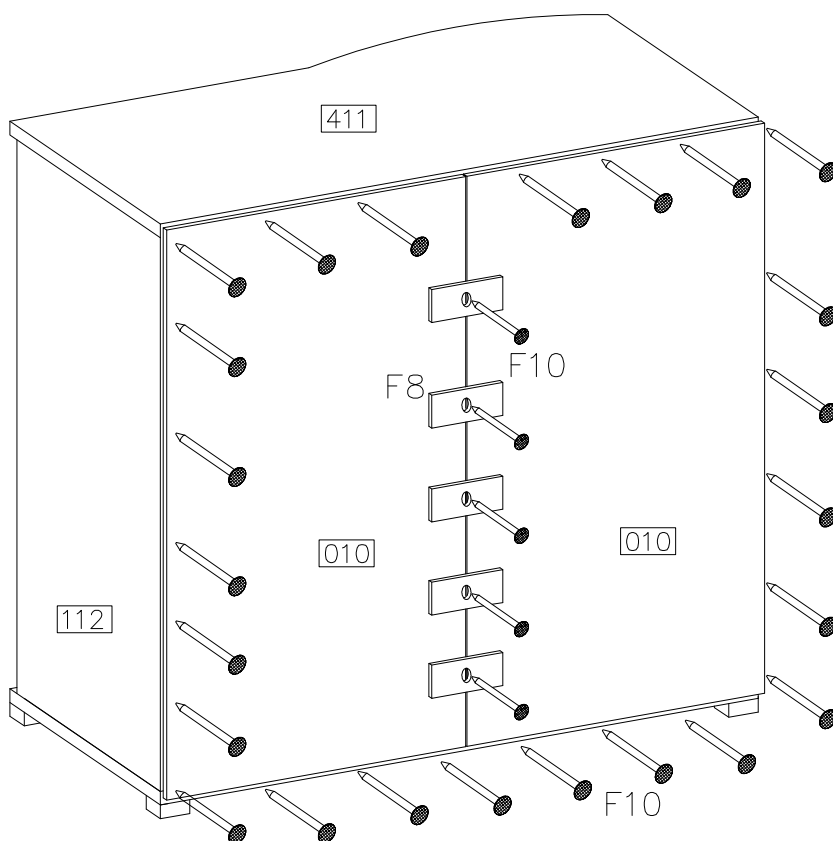
6

	L-350 PR
E 6	4KPL
3.5x13mm	
	
P2 16	

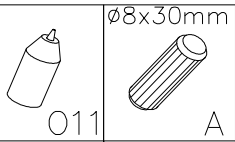


7

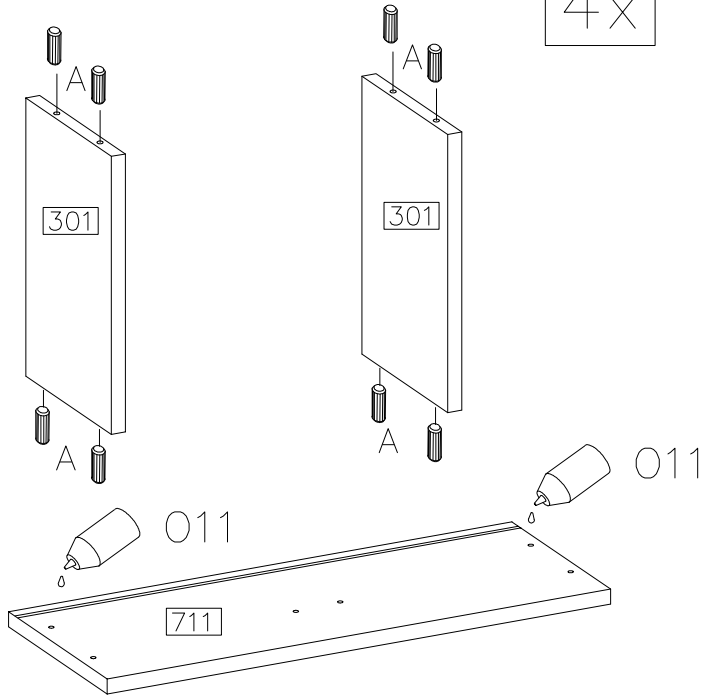
	F10
30	
	F8
5	



8



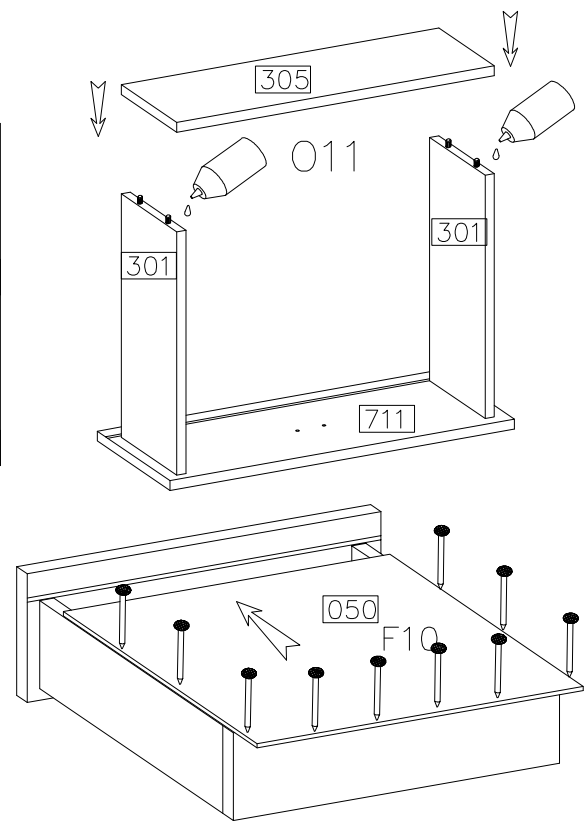
4x



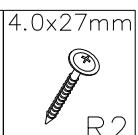
9



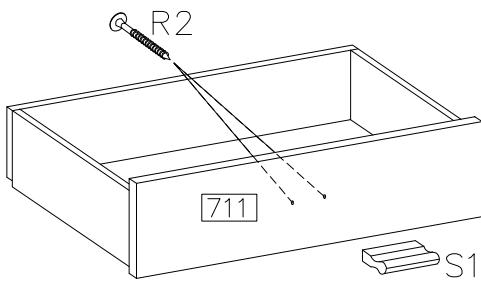
4x



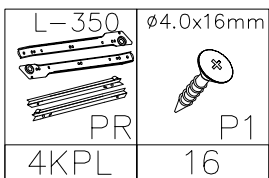
10



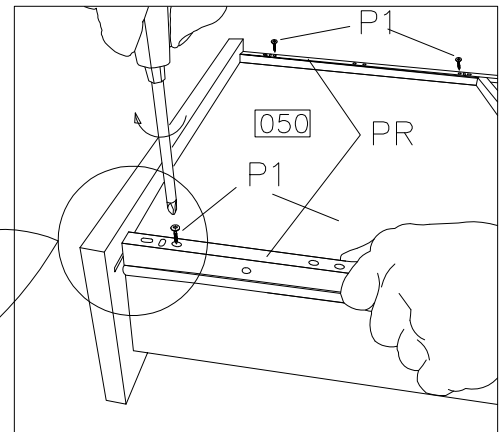
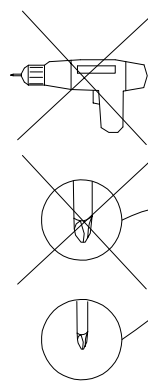
4x



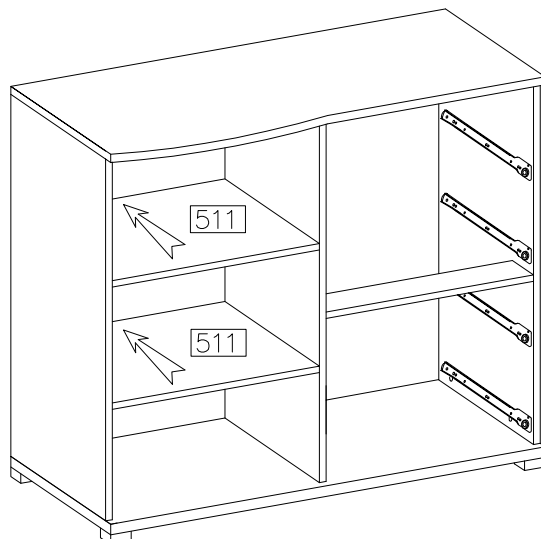
11



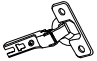


4x

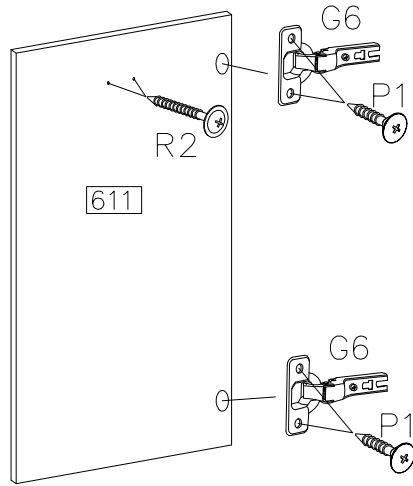


12

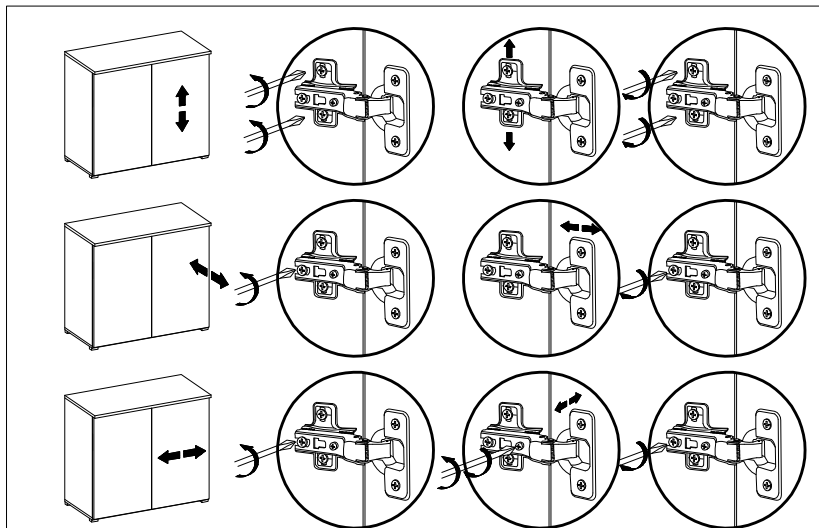
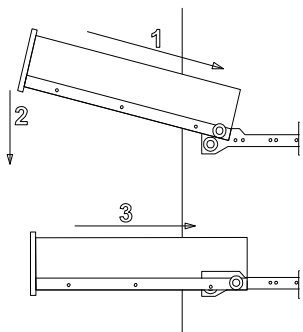
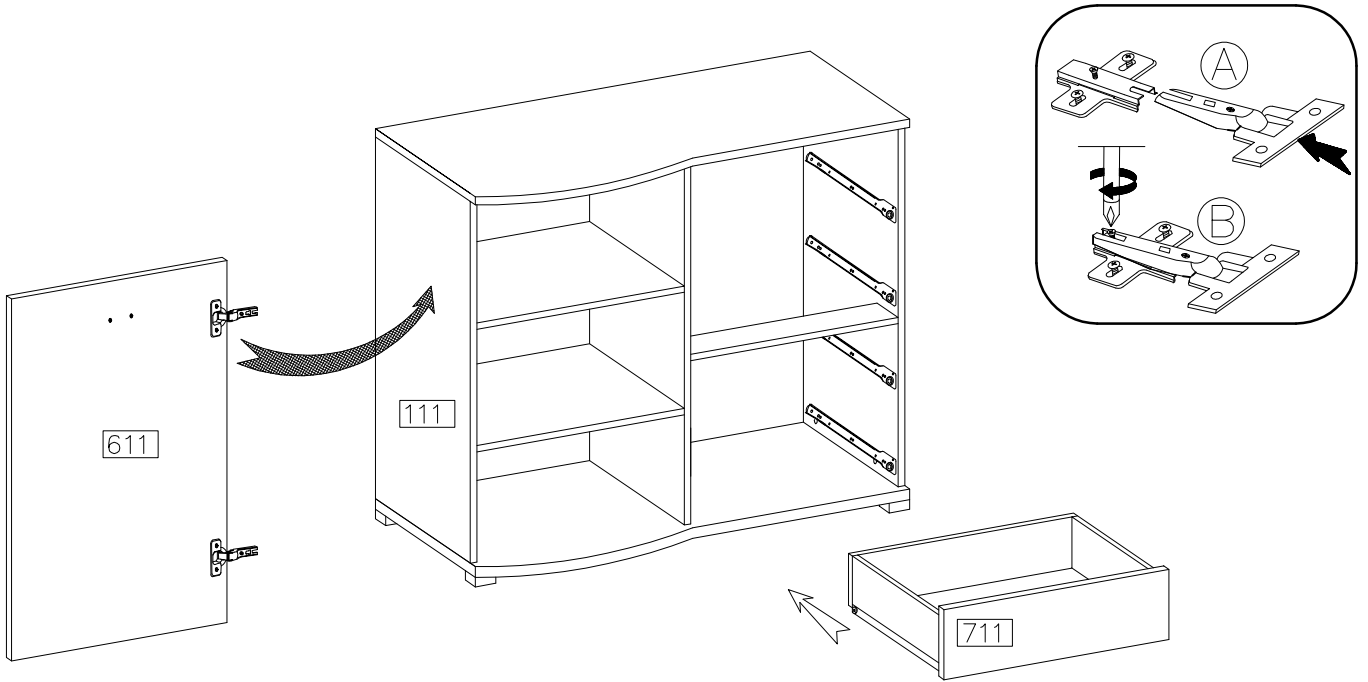


13

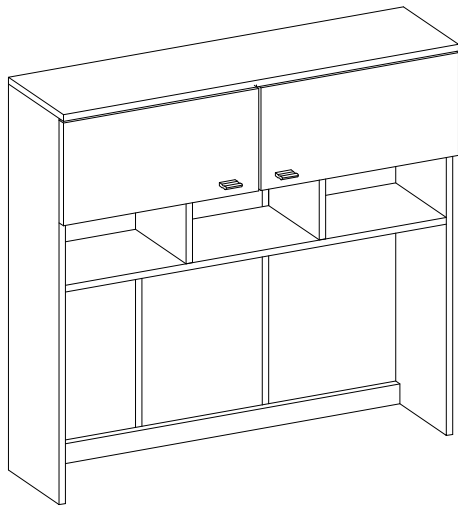
∅35/KR-0	∅4.0x16mm	4.0x27mm
		
G6	P1	R2
2	4	2



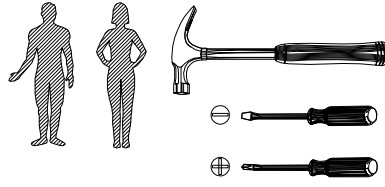
14



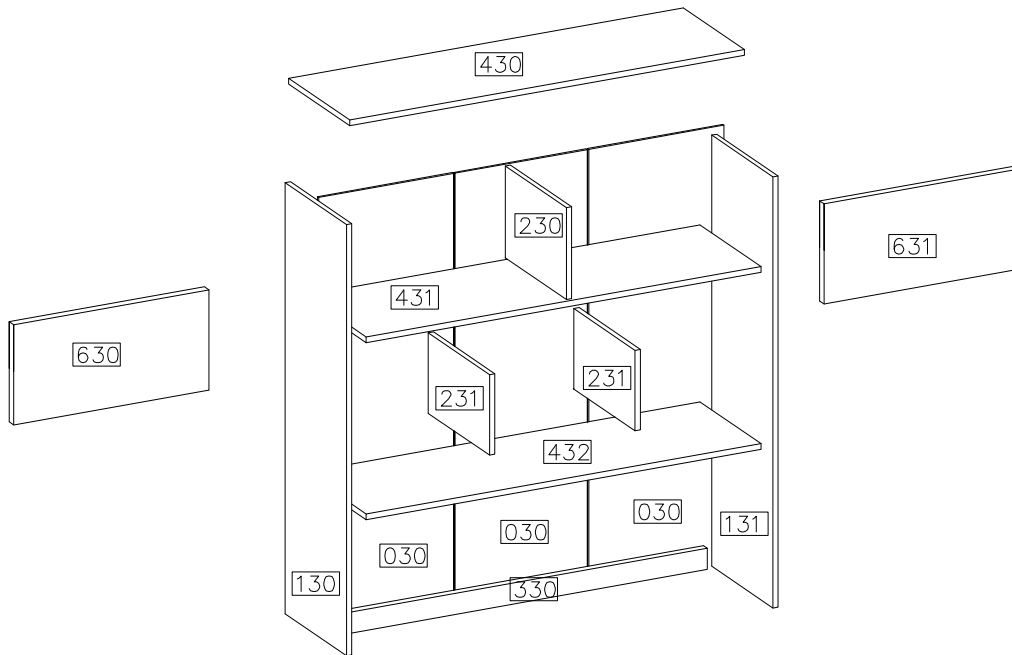
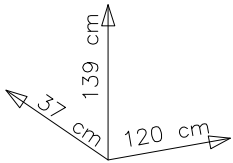
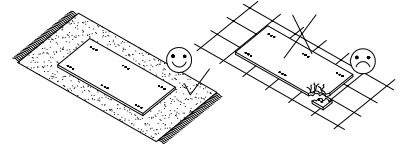
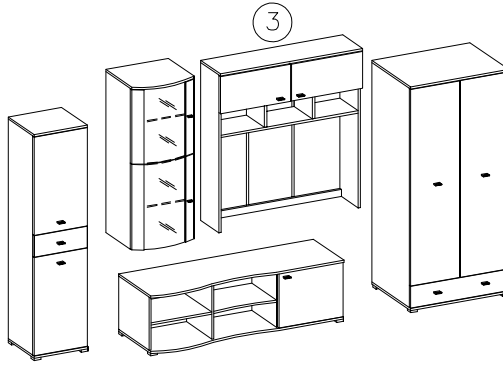
# GRENADA NADSTAWKA RTV



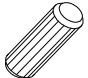





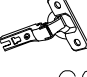
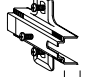
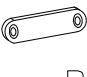
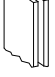


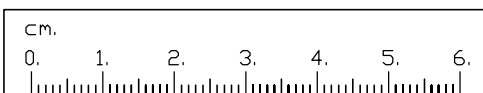
3

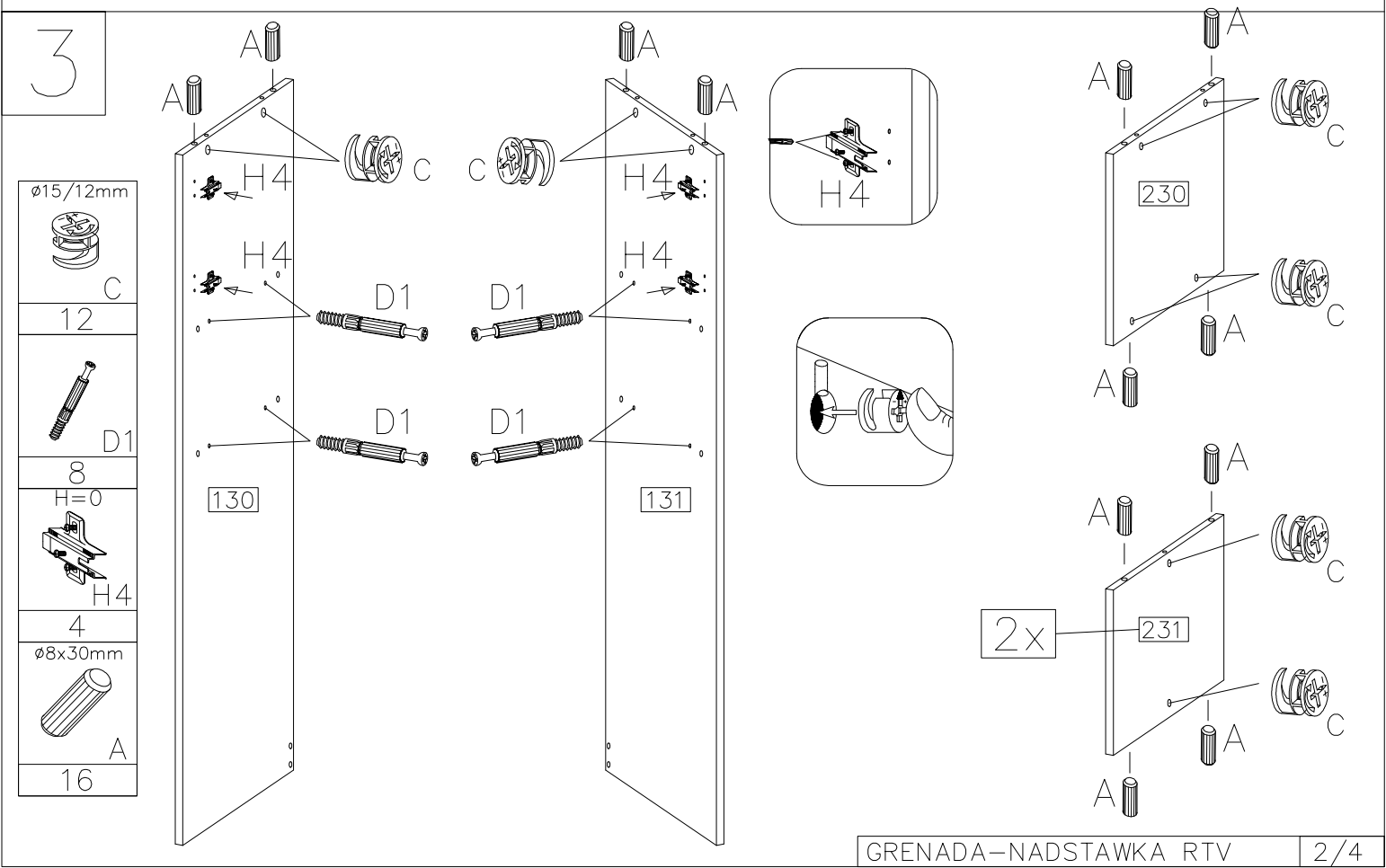
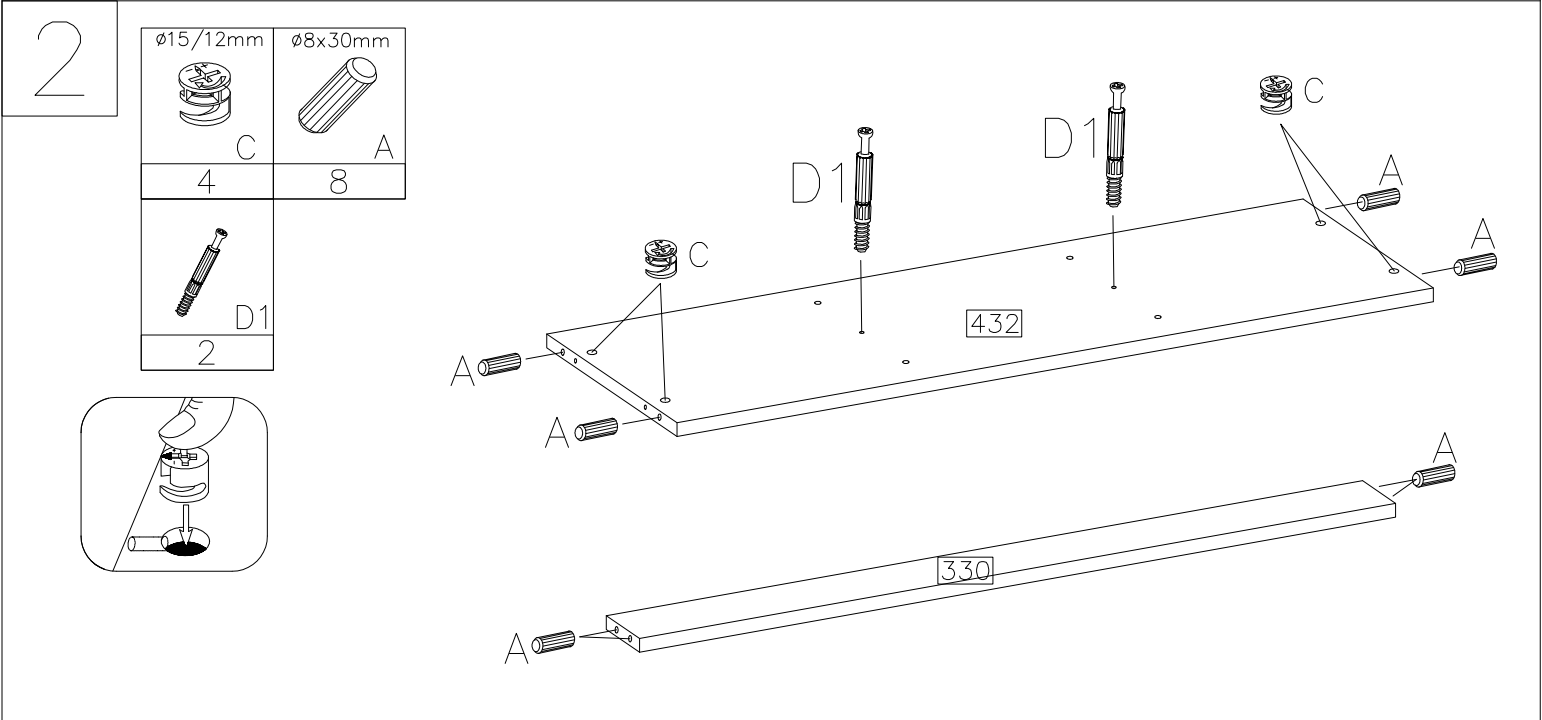
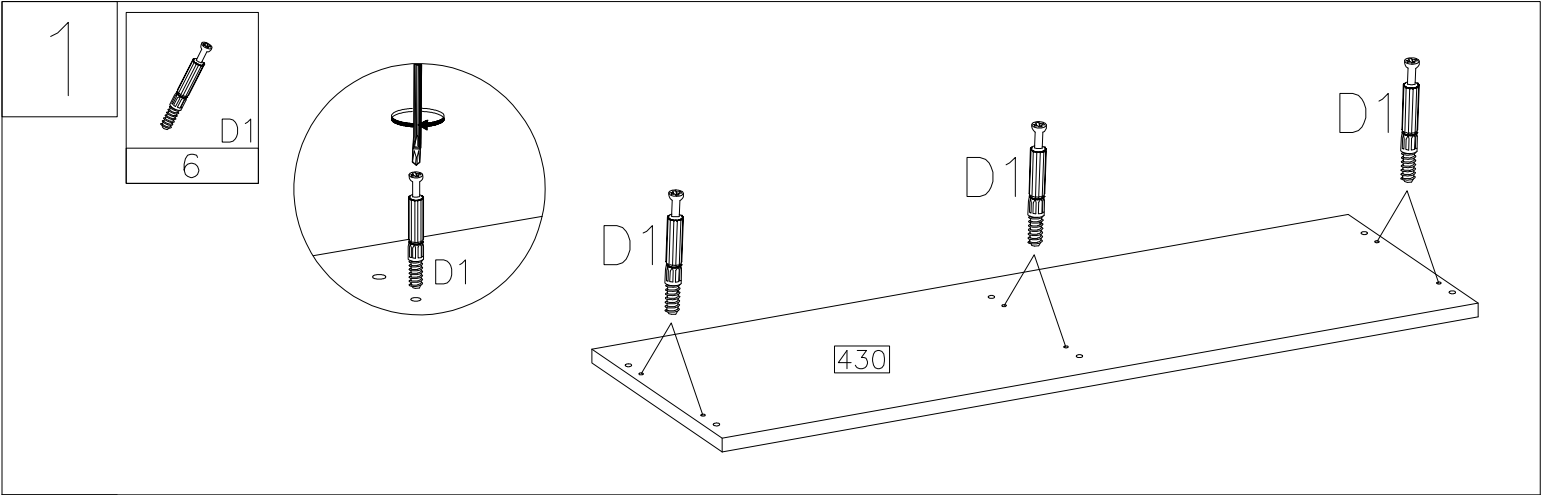


#	ART. NR	QUANTITY
1	430	1
2	431	1
3	432	1
4	130	1
5	131	1
6	230	1
7	231	2
8	630	1
9	631	1
10	030	3
11	330	1




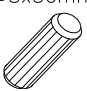

 D1	 C	 A	 E	 F10	 S1	 R2
20	20	32	20	50	2	4
 P1	 G6	 H4	 B2	 Z1		
18	4	4	2	2		

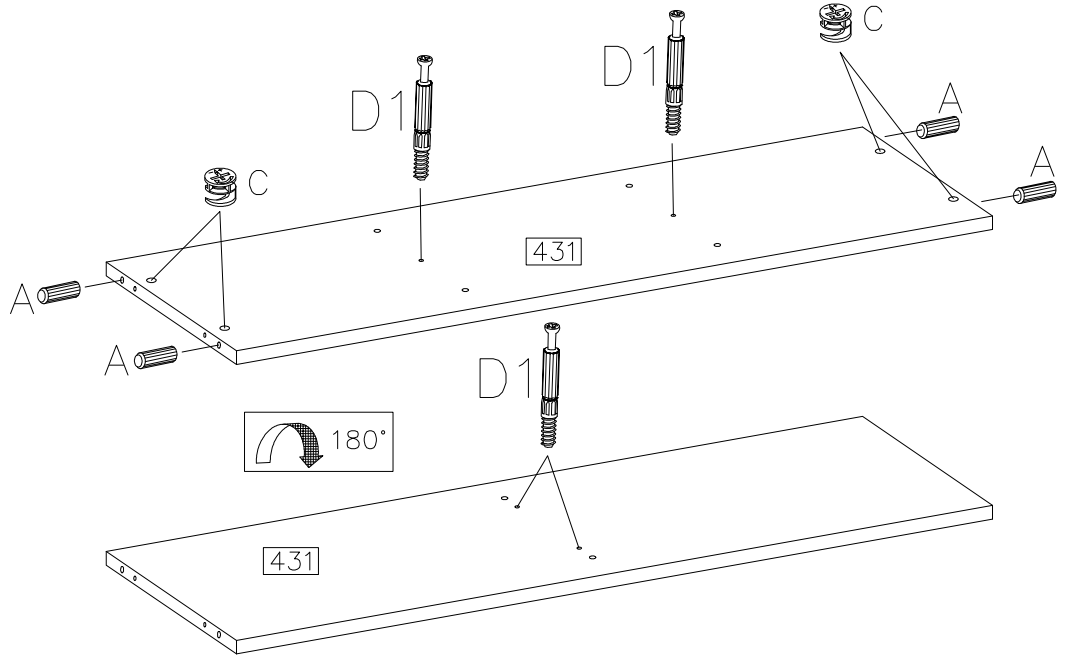
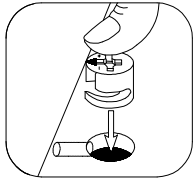




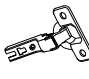

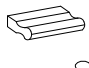



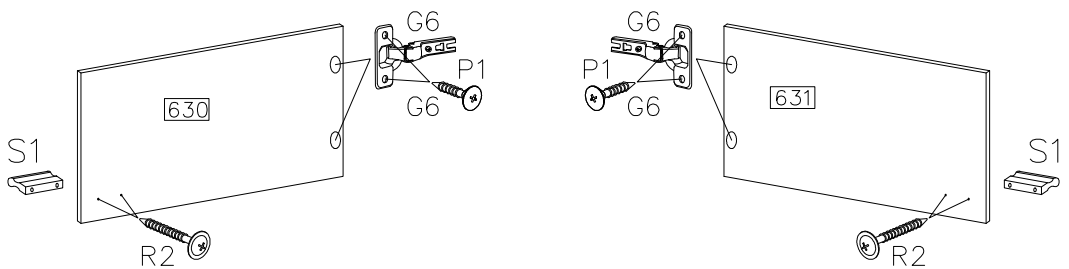
4

 <p>ø15/12mm C</p>	 <p>ø8x30mm A</p>
4	4
 <p>D1</p>	
4	




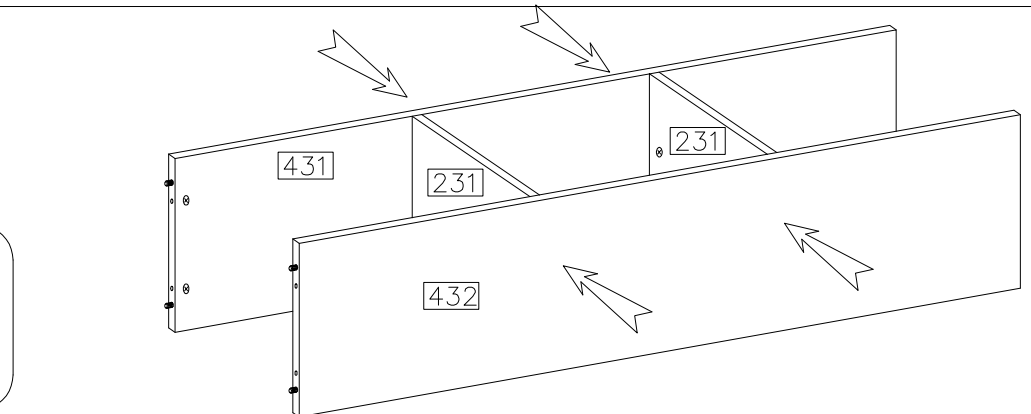
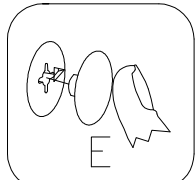
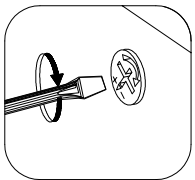
5

 <p>ø35/KR-0 G6</p>	 <p>4.0x16mm P1</p>
4	8
 <p>S1</p>	 <p>4.0x27mm R2</p>
2	4




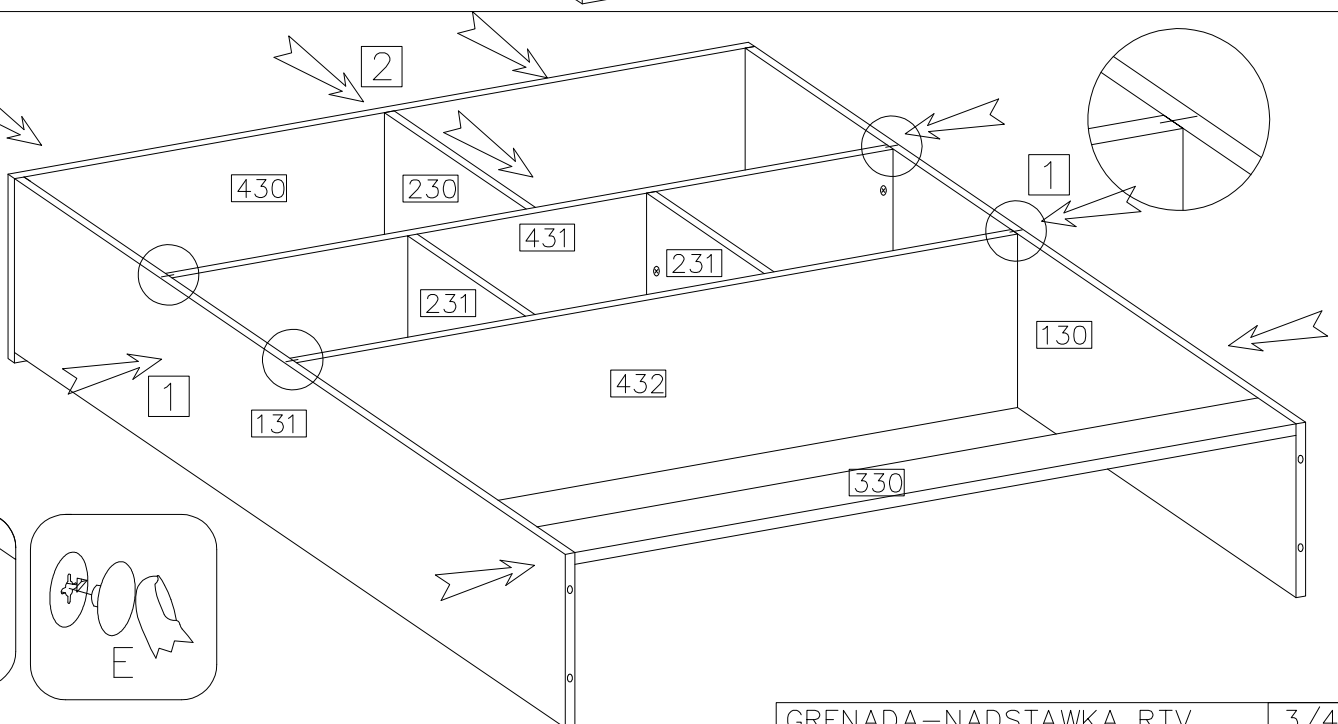
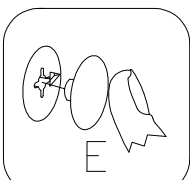
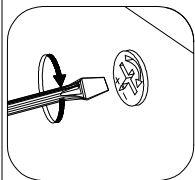
6

 <p>E</p>
4



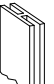


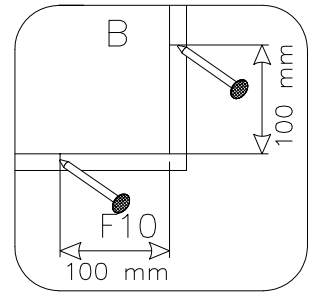
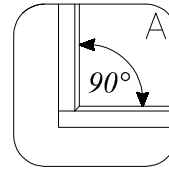
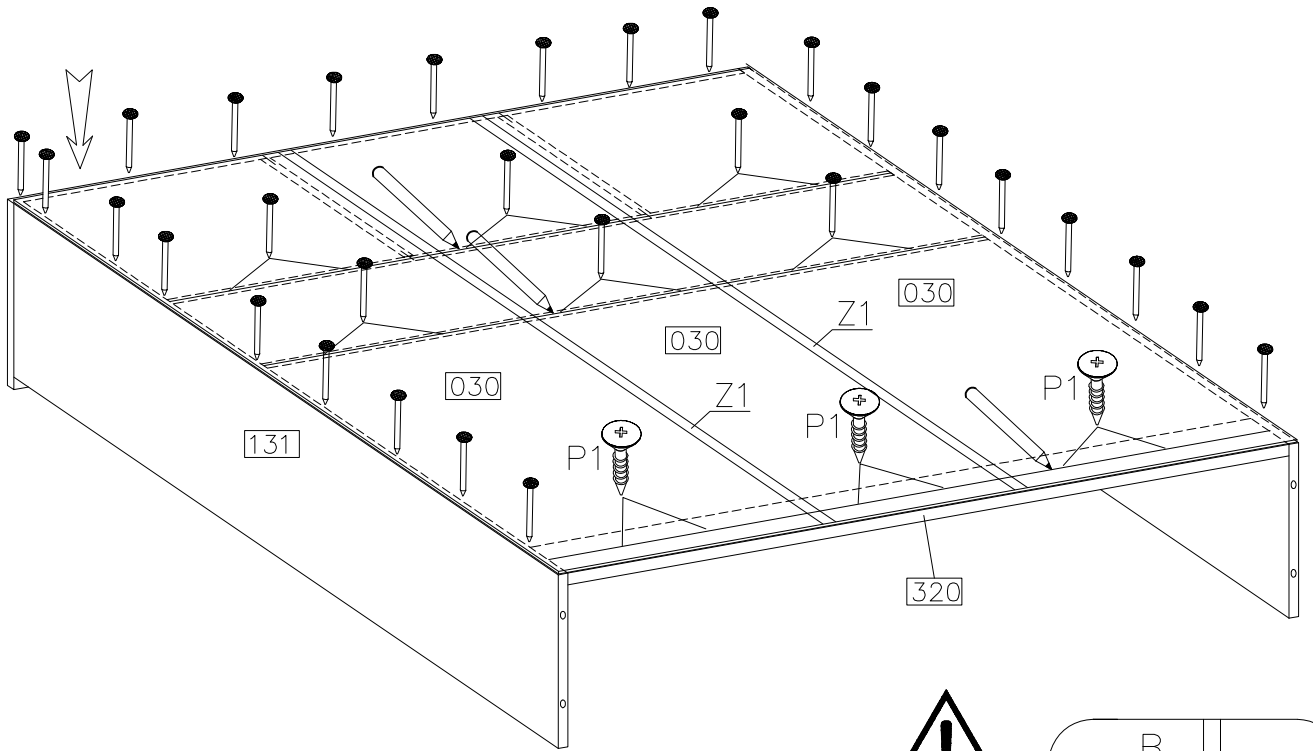
7

 <p>E</p>
16


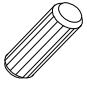



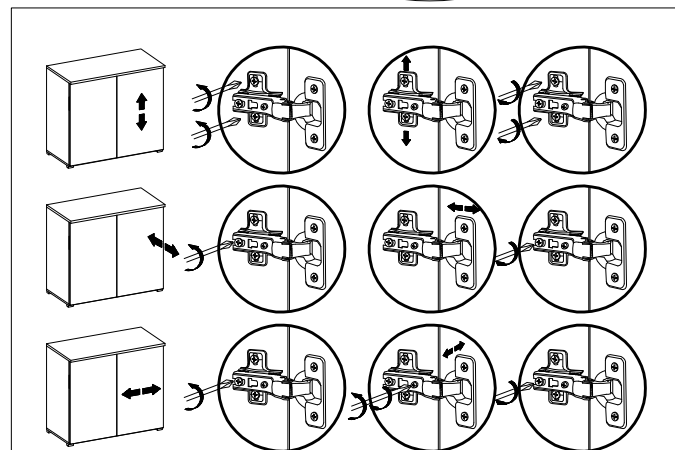
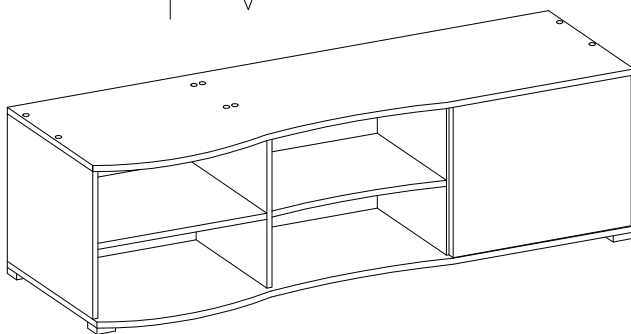
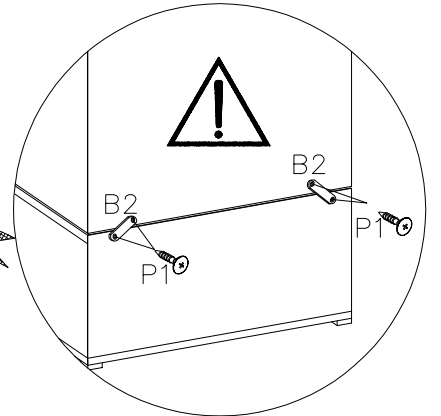
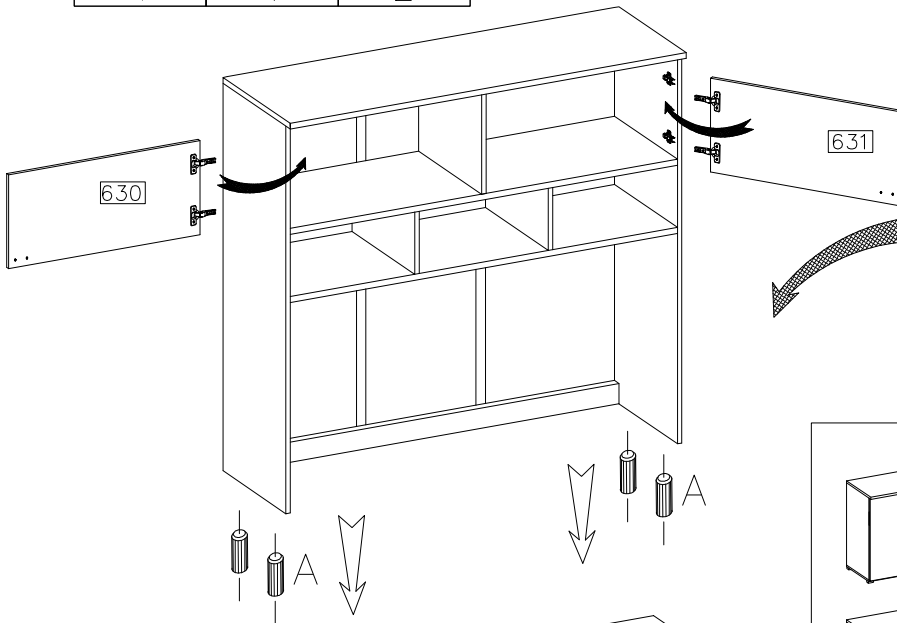
8

-  F10
- 50
- $\varnothing 4.0 \times 16 \text{ mm}$
-  P1
- 6
-  Z1
- 2

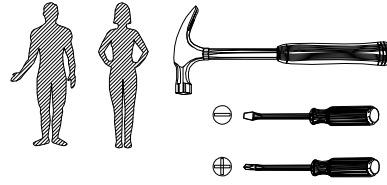
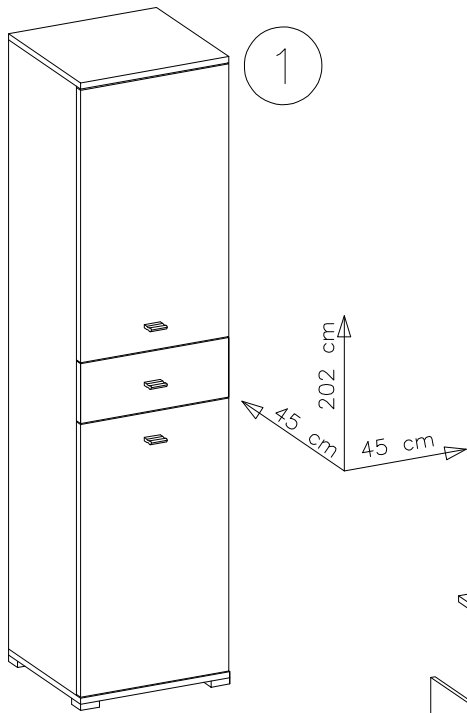


9

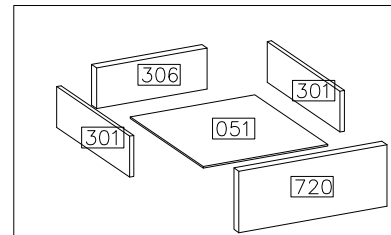
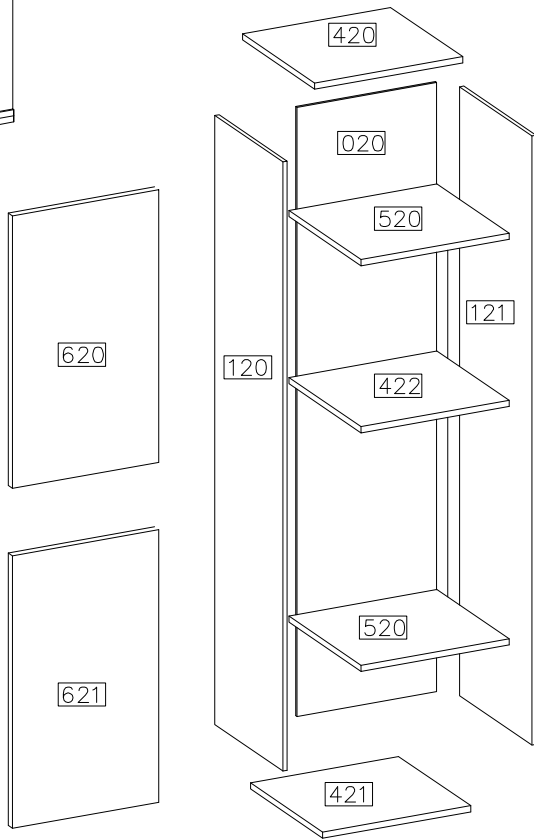
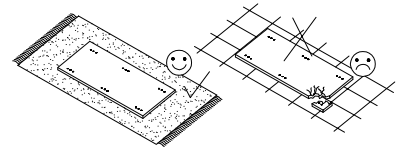
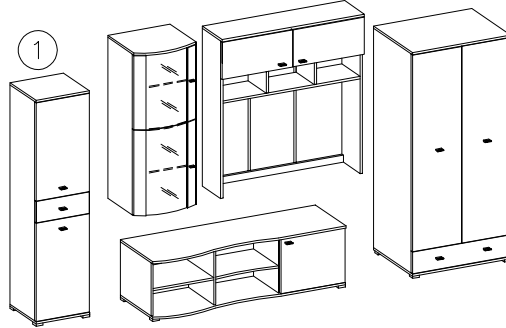
- |   |  |   |
|---|--|---|
| $\varnothing 8 \times 30 \text{ mm}$  | $4.0 \times 16 \text{ mm}$   |  |
|  A |  P1 | B2  |
| 4   | 4  | 2   |



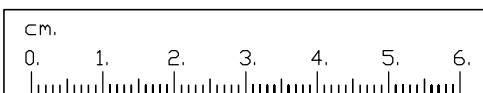
# GRENADA PÓLSZAFA



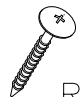
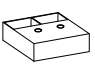
#	ART. NR	QUANTITY
1	420	1
2	421	1
3	422	1
4	120	1
5	121	1
6	020	1
7	620	1
8	621	1
9	720	1
10	301	2
11	306	1
12	051	1
13	520	2

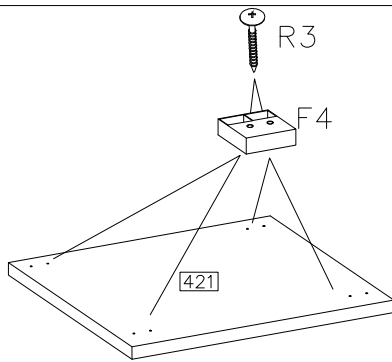


D1	$\varnothing 15/12\text{mm}$ C	$\varnothing 8 \times 30\text{mm}$ A	E	$4.0 \times 35\text{mm}$ R3	F4	F10	S1	$4.0 \times 27\text{mm}$ R2
12	12	20	12	8	4	60	3	6
$\varnothing 4.0 \times 16\text{mm}$ P1	$\varnothing 35/\text{KR}-0$ G6	H=0 H4	$3.5 \times 13\text{mm}$ P2	L-350 PR	O11	J4		
12	4	4	4	1KPL	1	8		



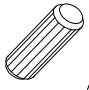


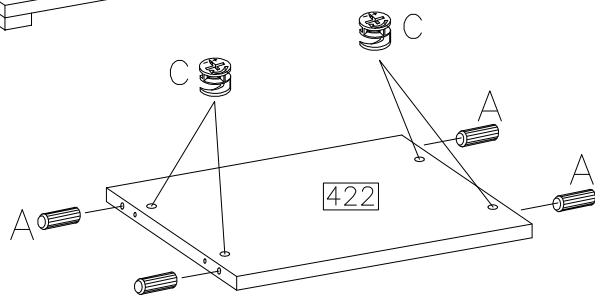
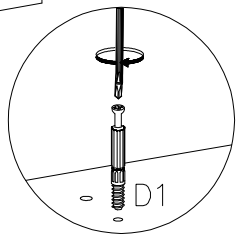
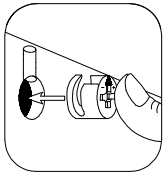
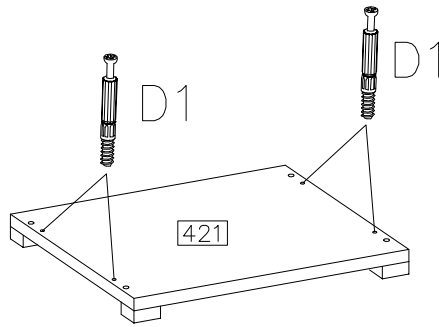
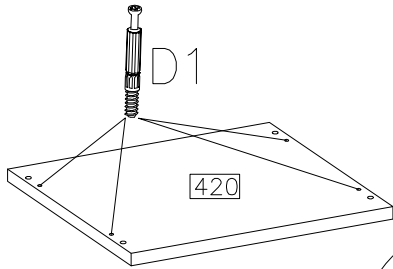
1

4.0x35mm		
	R3	F4
8		4



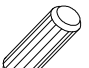

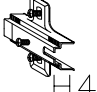
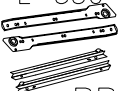



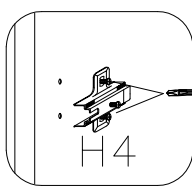
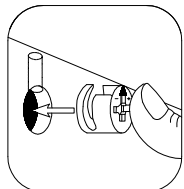
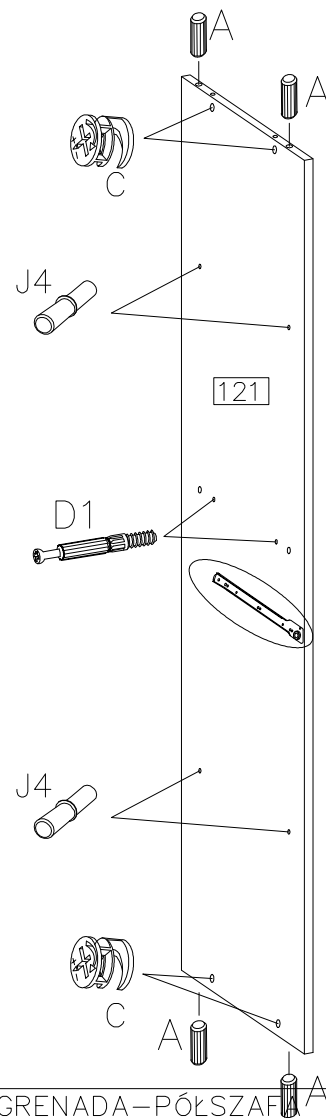
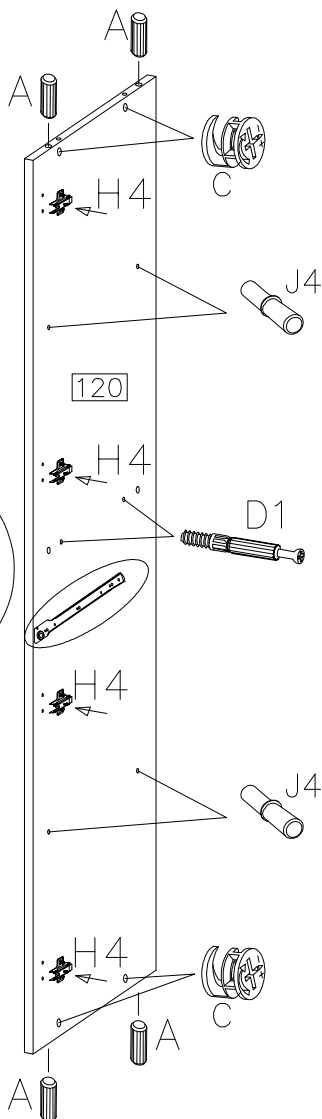
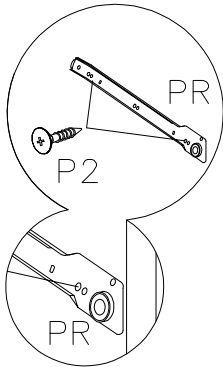
2

	ø15/12mm	ø8x30mm
D1		
8	4	4

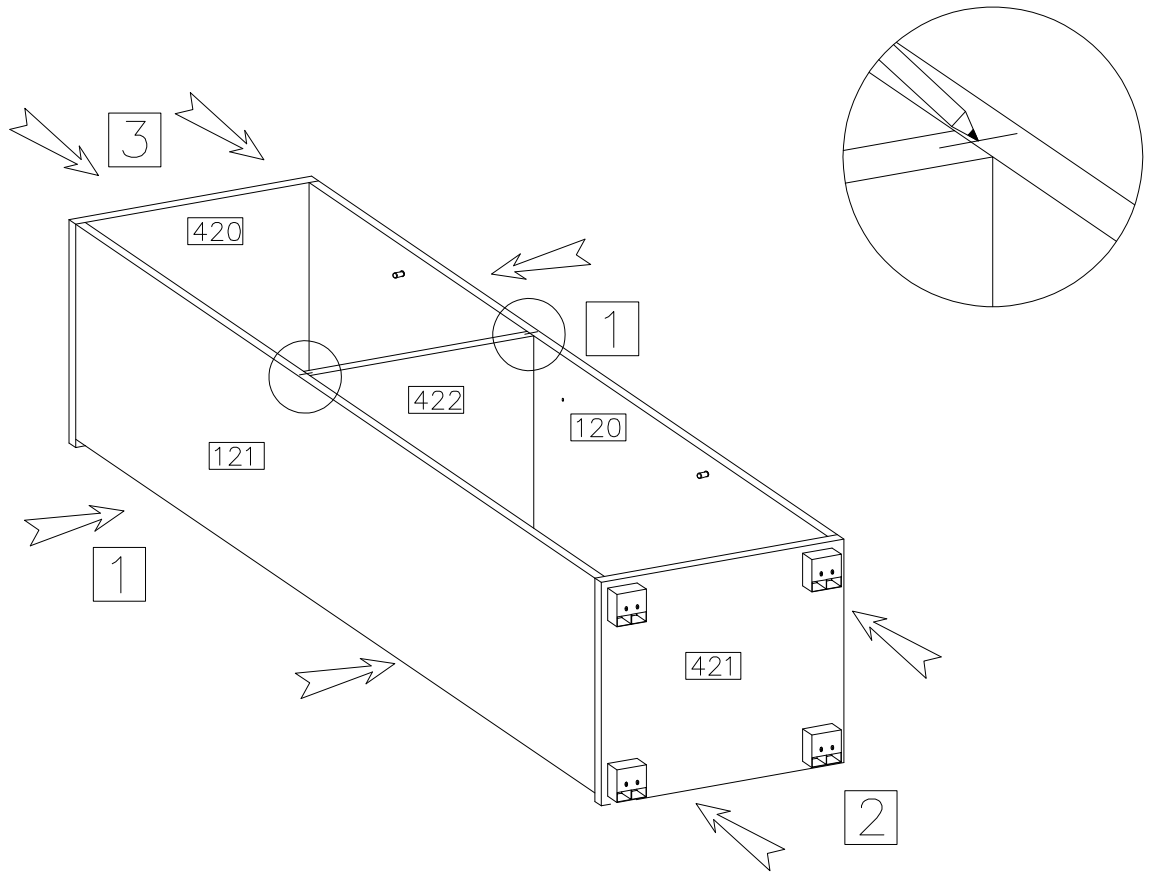
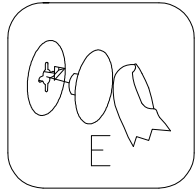
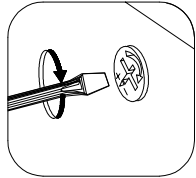
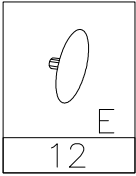


3

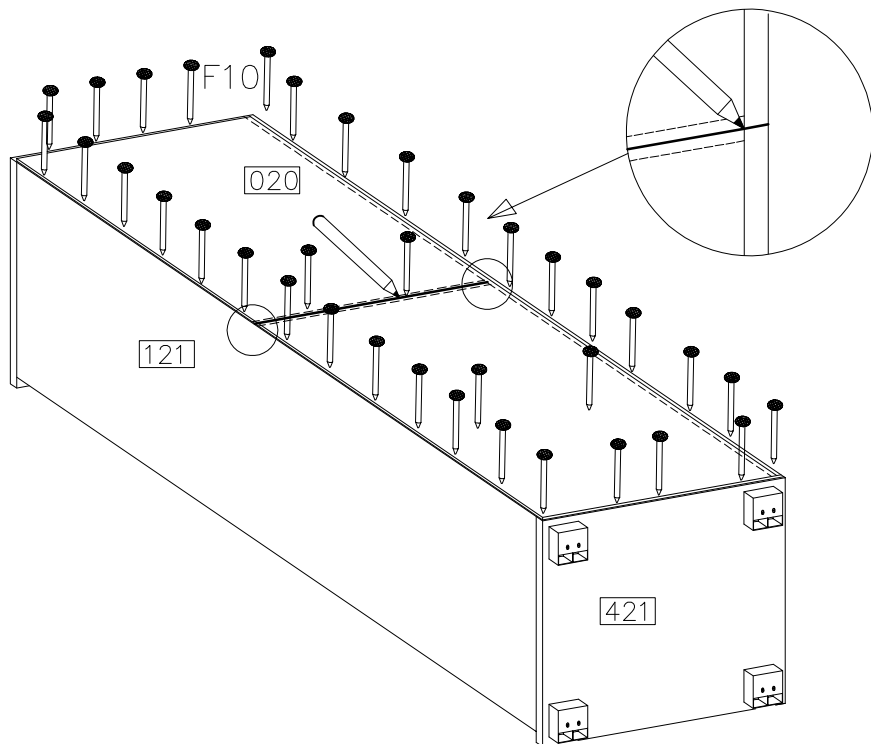
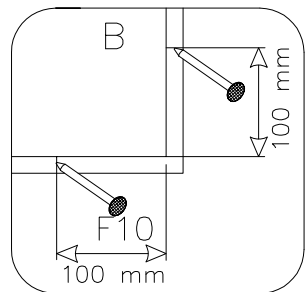
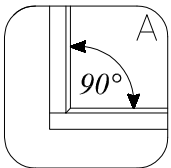
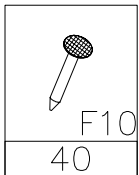
	ø8x30mm	
D1		J4
4	8	8
ø15/12mm	H=0	
		
C	H4	
8	4	
L-350	3.5x13mm	
		
PR	P2	
1KPL	4	




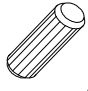
4

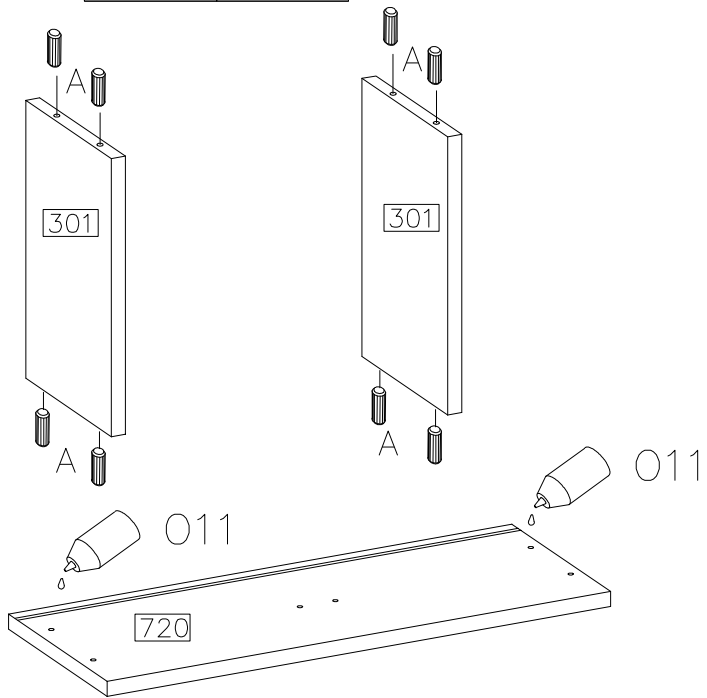


5





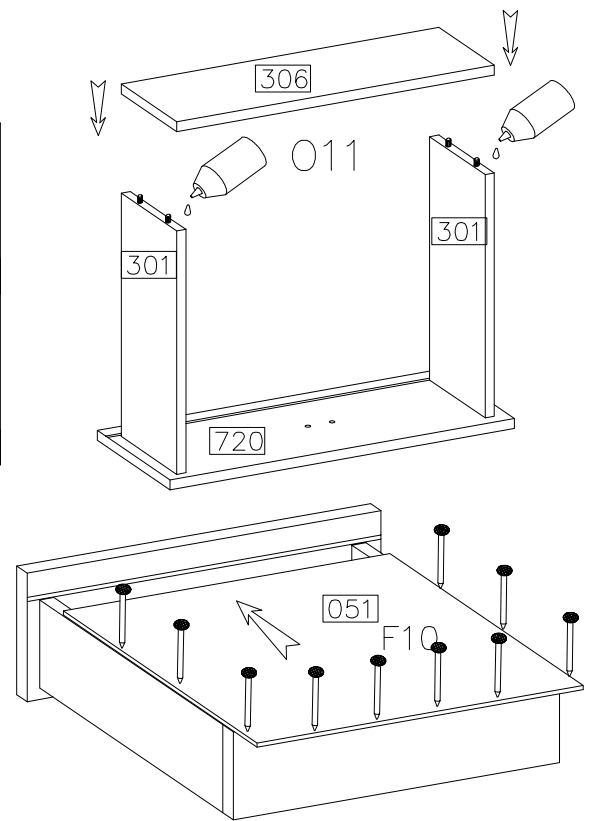
6

	$\varnothing 8 \times 30 \text{mm}$ 
O11	A
	8

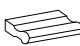



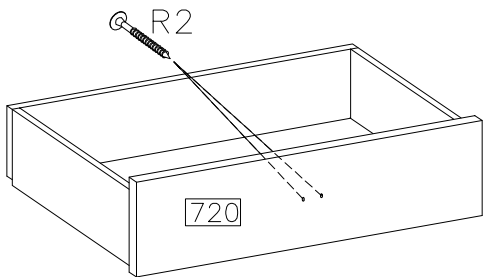
7

	F10
20	
	O11

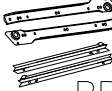



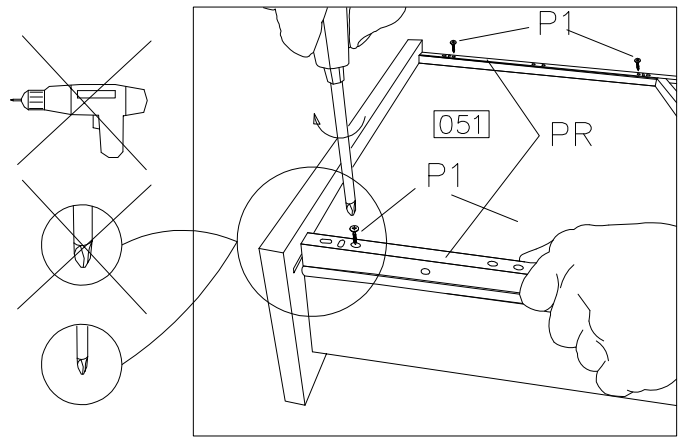
8

	4.0x27mm 
S1	R2
1	2


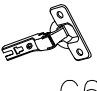




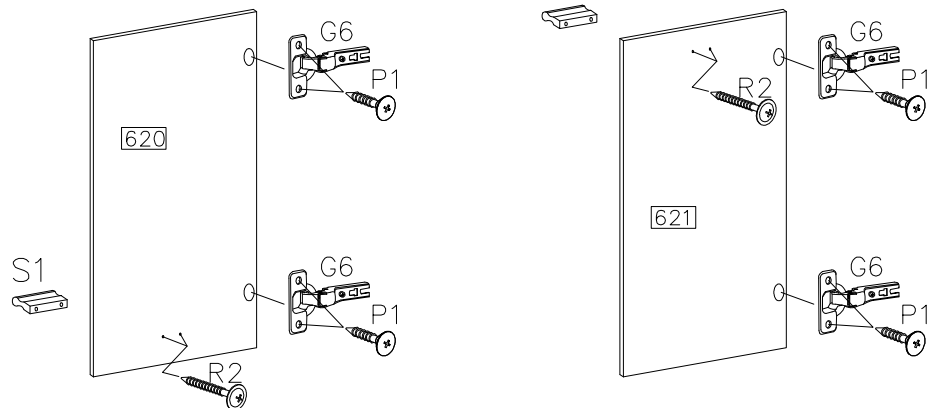
9

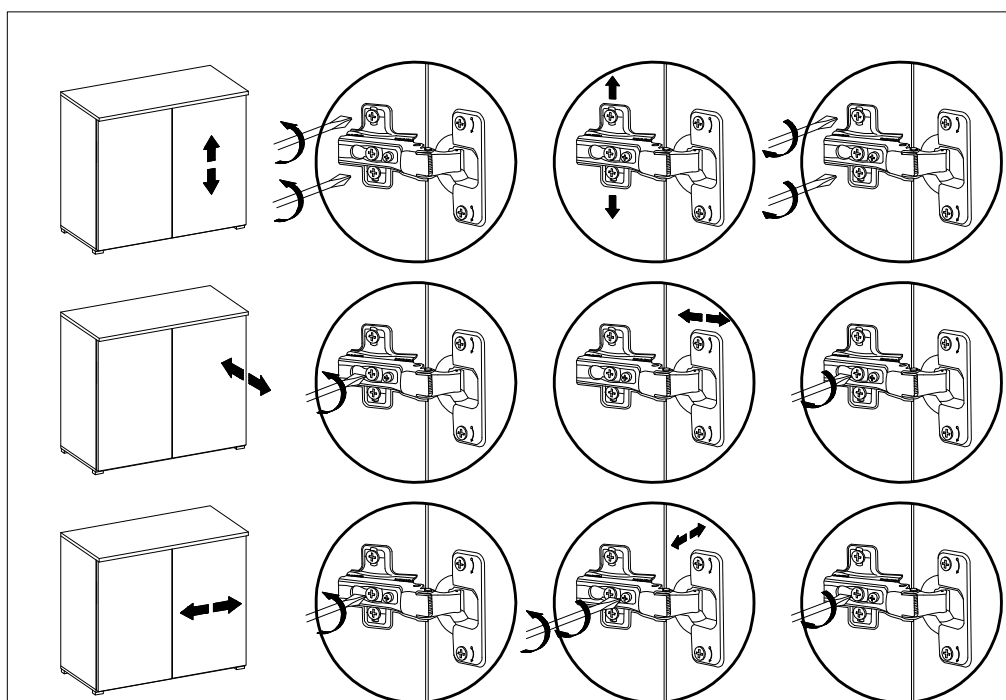
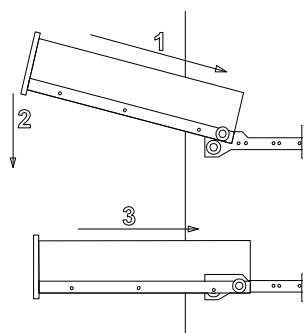
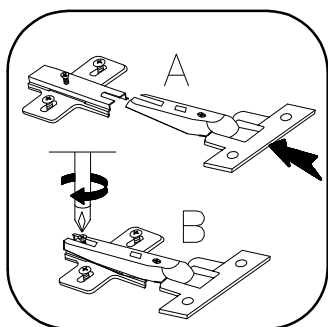
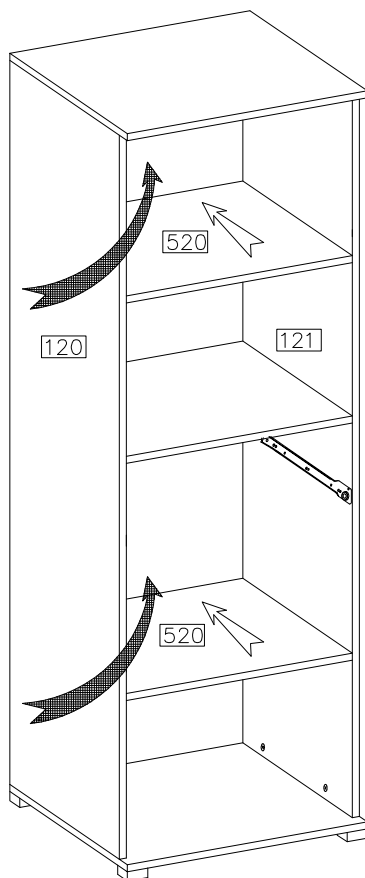
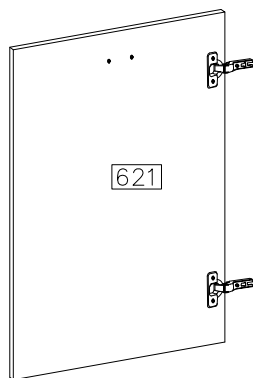
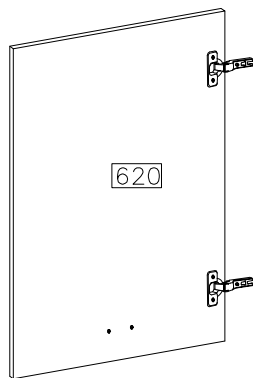
L-350 	$\varnothing 4.0 \times 16 \text{mm}$ 
PR	P1
1KPL	4



10

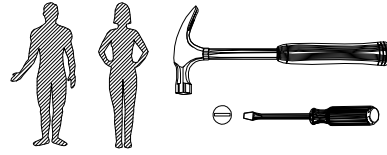
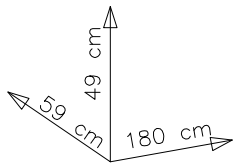
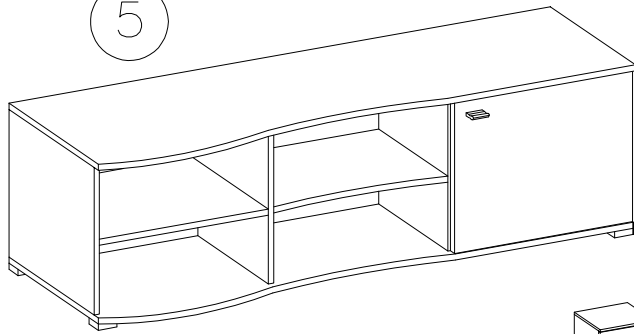
4.0x27mm 	$\varnothing 35 / \text{KR}-0$ 
R2	G6
4	4
	$\varnothing 4.0 \times 16 \text{mm}$ 
S1	P1
2	8



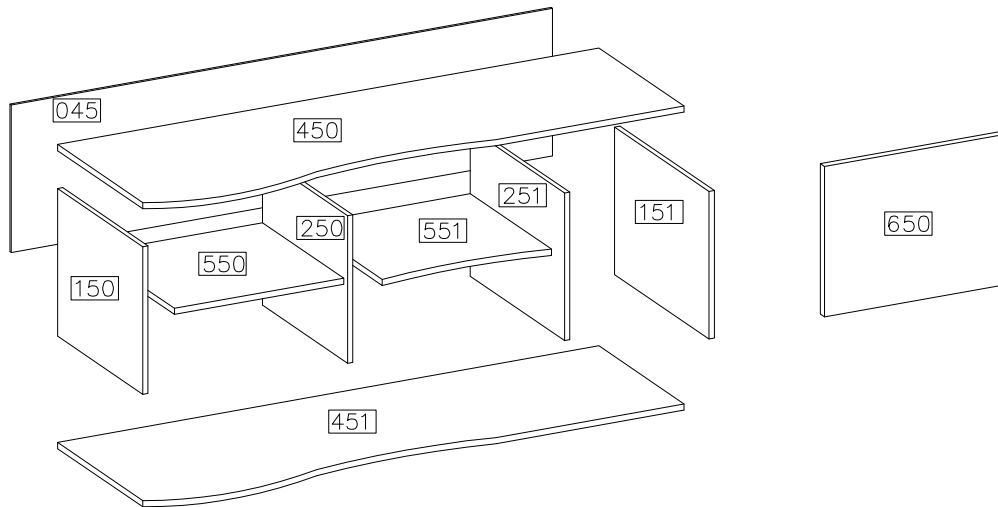
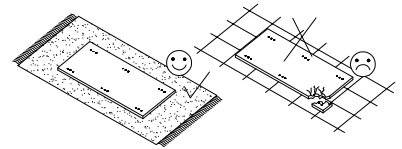
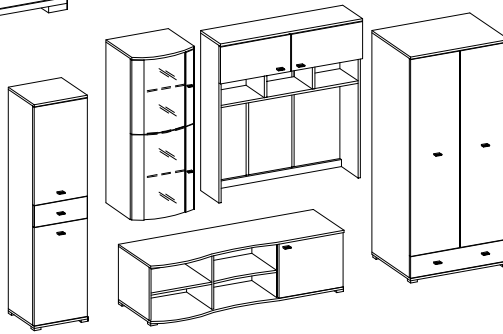




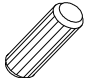


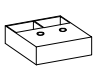



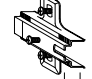
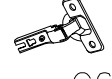
# GRENADA SPÓD RTV

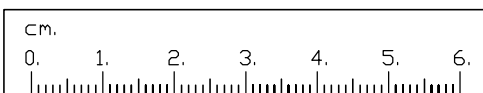
5



#	ART. NR	QUANTITY
1	450	1
2	451	1
3	150	1
4	151	1
5	250	1
6	251	1
7	550	1
8	551	1
9	650	1
10	045	1



 D1	 C	 A	 E	 R3	 F4	 F10
16	16	20	16	12	6	30
 P1	 J4	 H4	 G6			
4	8	2	2			





**1**

4.0x35mm		
	R3	F4
	12	6

**2**

D1

16

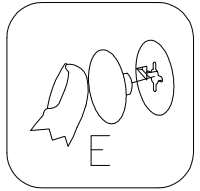
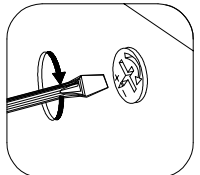
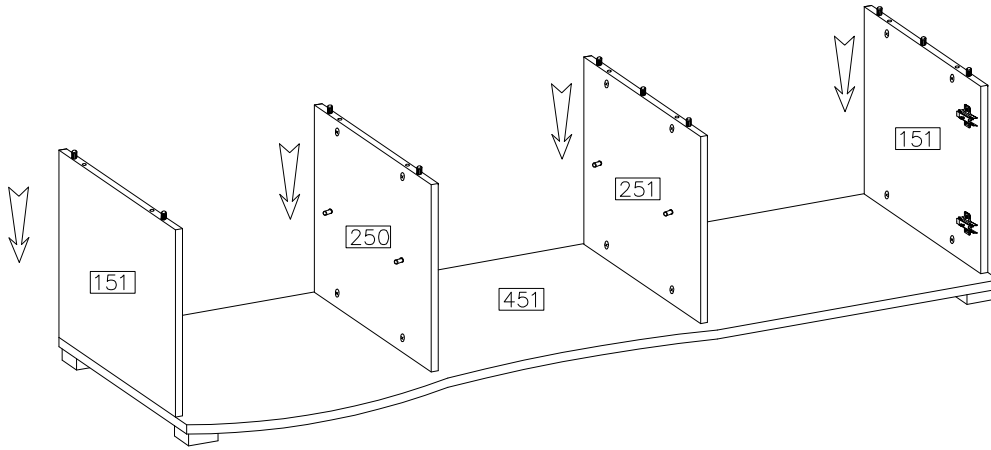
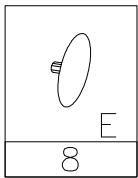
**3**

$\varnothing 8 \times 30 \text{mm}$	
	A
	8
$\varnothing 15 / 12 \text{mm}$	
	C
	8
	J4
	6

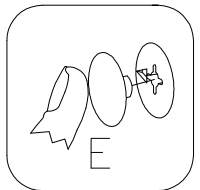
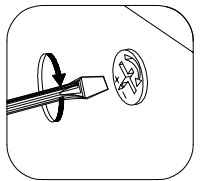
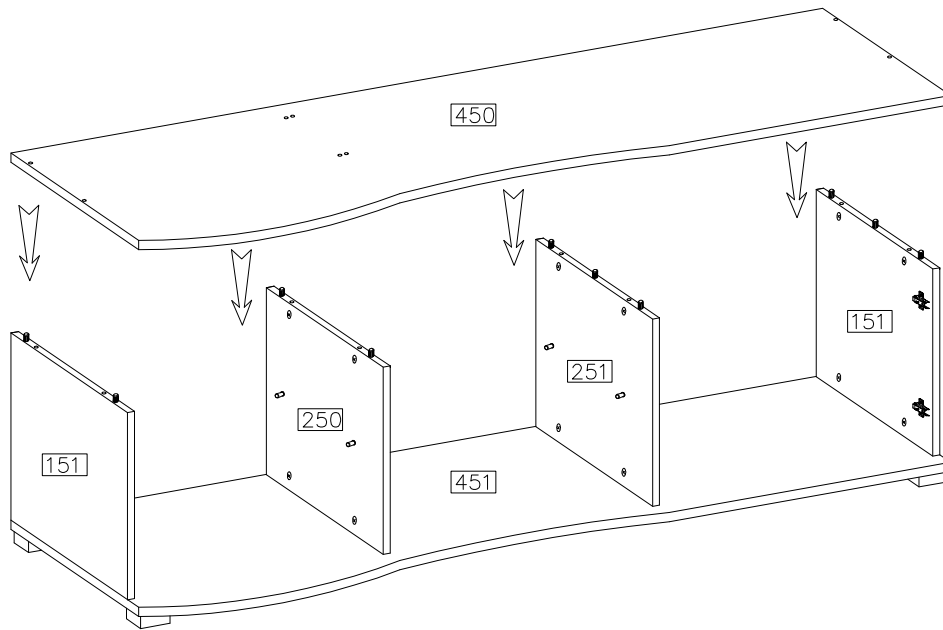
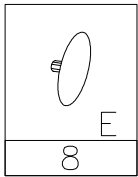
**4**

$\varnothing 15 / 12 \text{mm}$		
	C	J4
	8	2
$\varnothing 8 \times 30 \text{mm}$		
	A	H4
	12	2

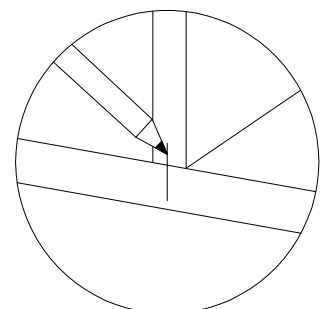
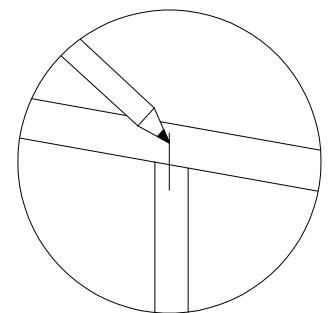
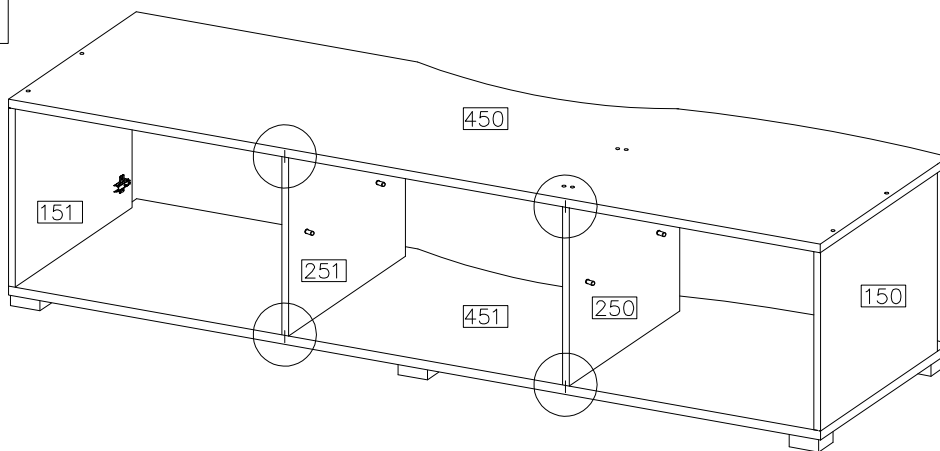
5



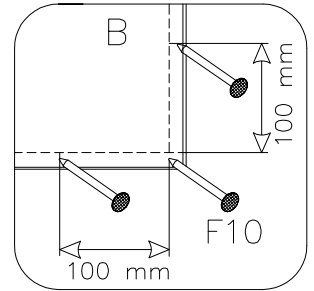
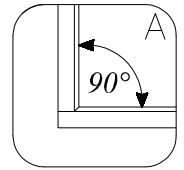
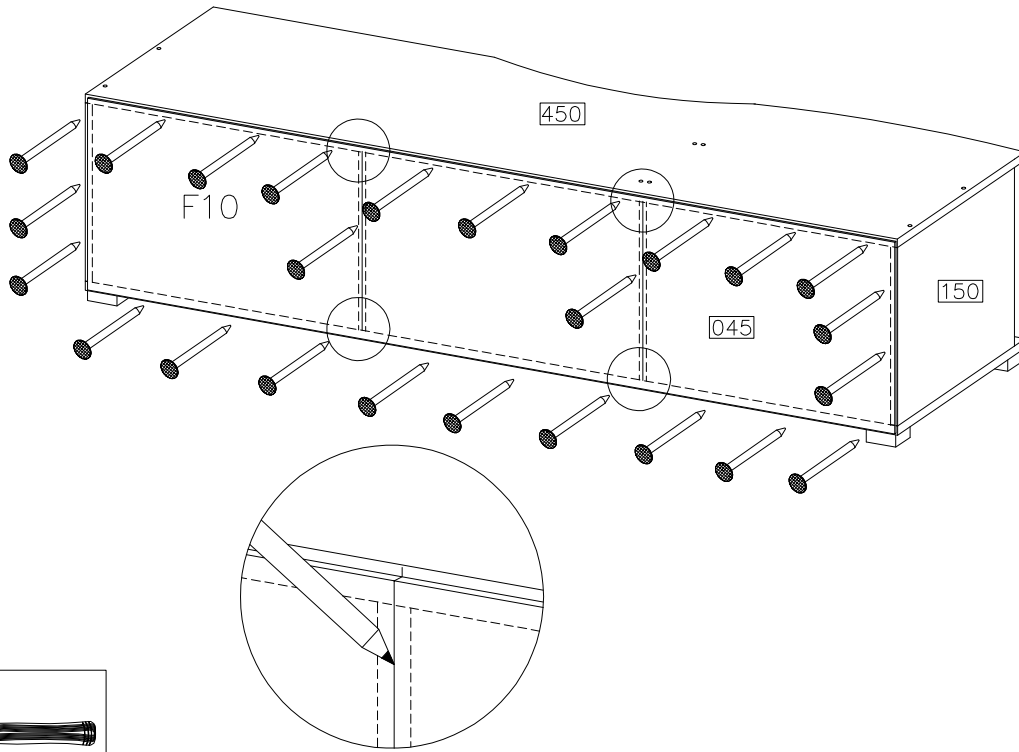
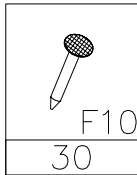
6



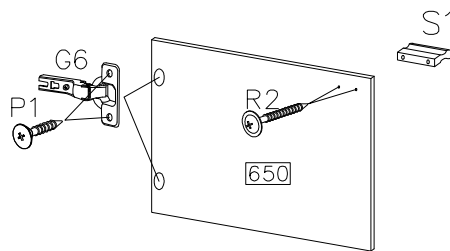
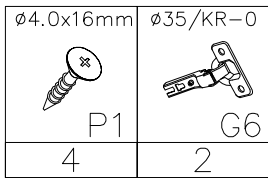
7



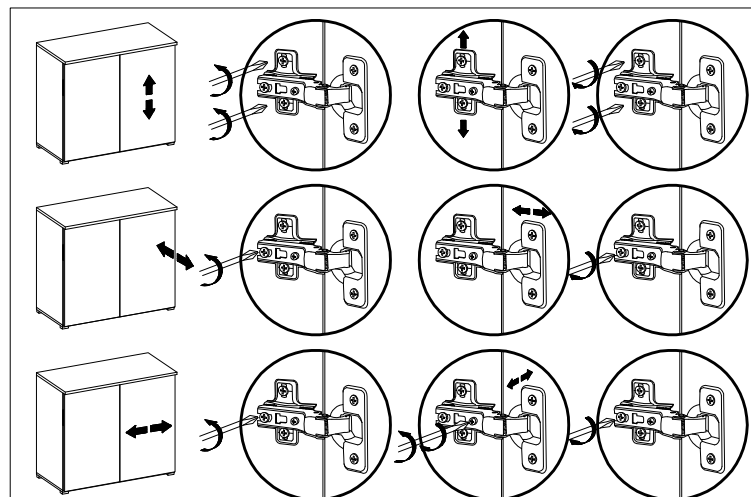
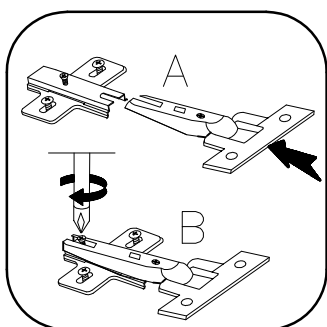
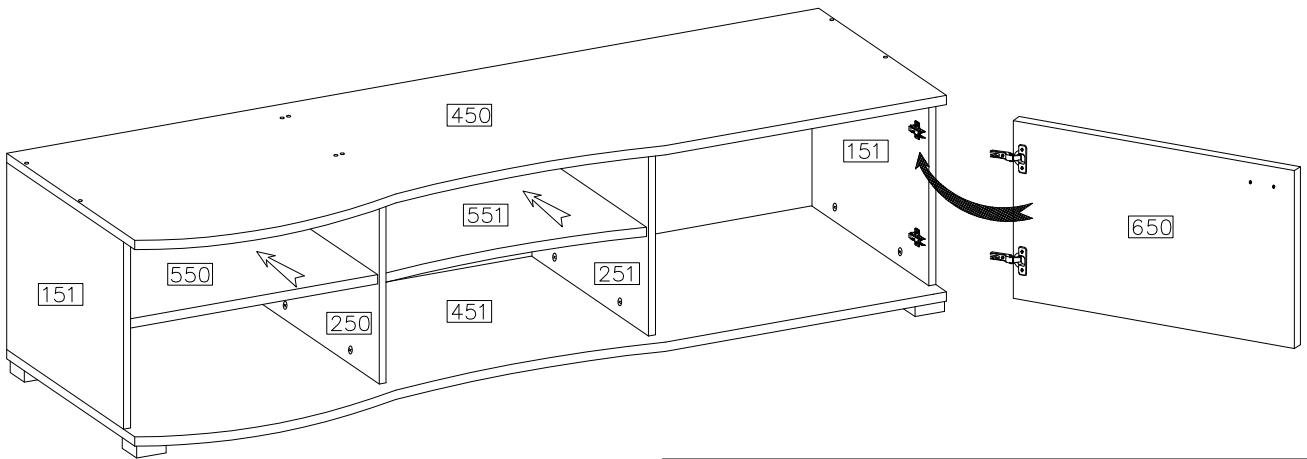
8



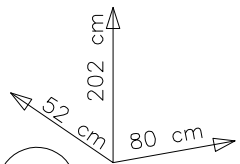
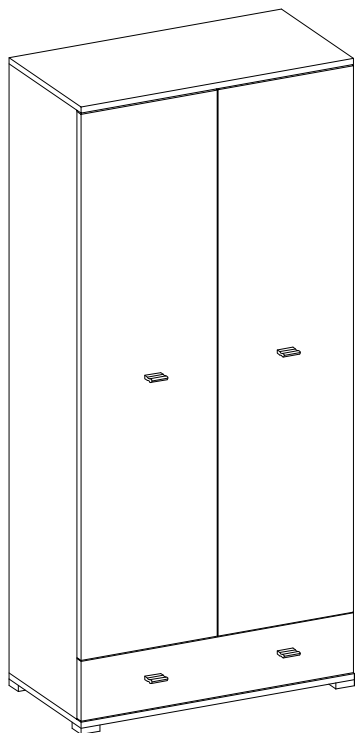
9



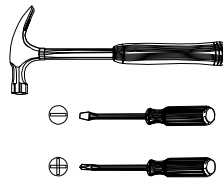
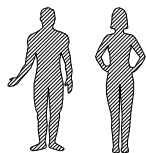
10



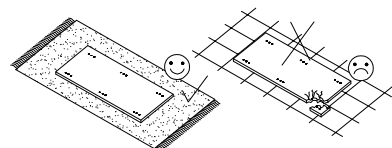
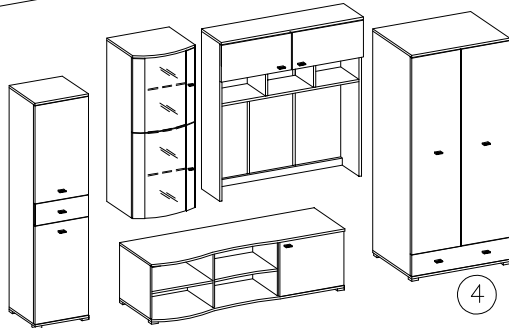
# GRENADA SZAFKA



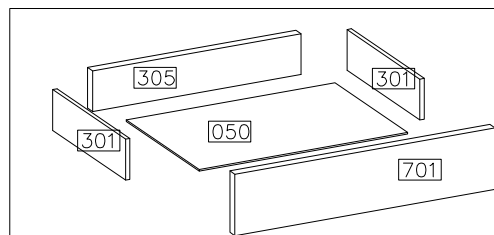
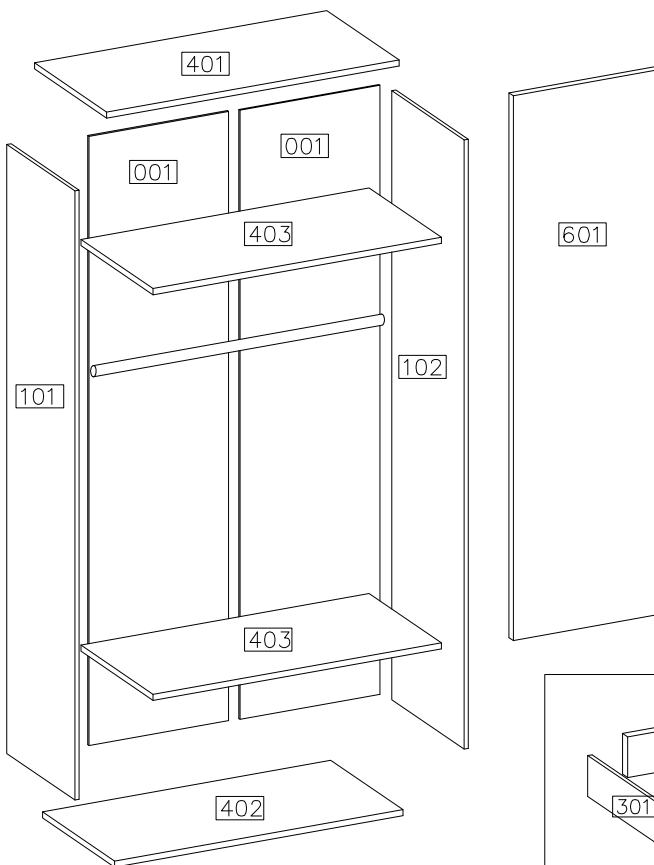
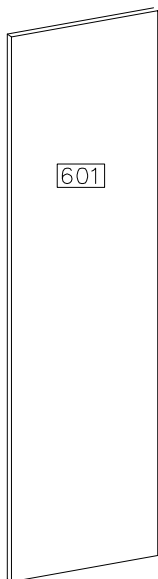
4



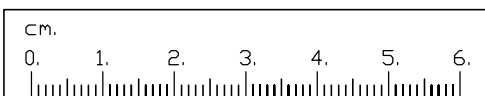
#	ART. NR	QUANTITY
1	401	1
2	402	1
3	403	2
4	101	1
5	102	1
6	001	2
7	601	2
8	701	1
9	301	2
10	305	1
11	050	1



4

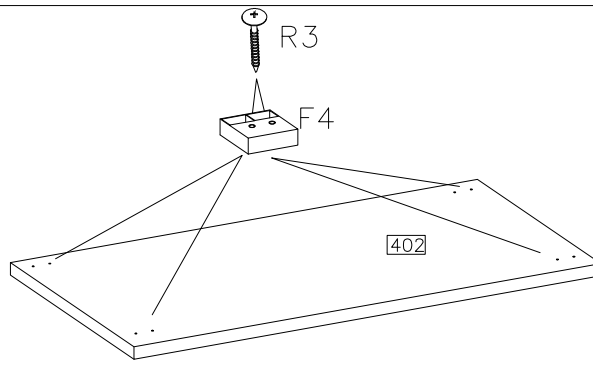


	ø15/12mm 	ø8x30mm 		4.0x35mm 				4.0x27mm 
16	16	28	16	8	4	60	4	8
			ø4.0x16mm 	ø35/KR-0 	H=0 	3.5x13mm 	L-350 	
1	2	1	20	6	6	4	1KPL	1



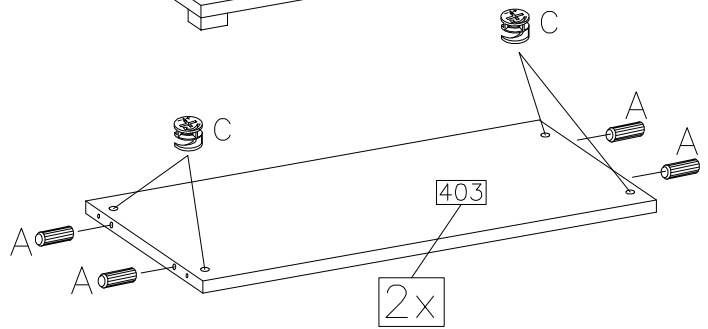
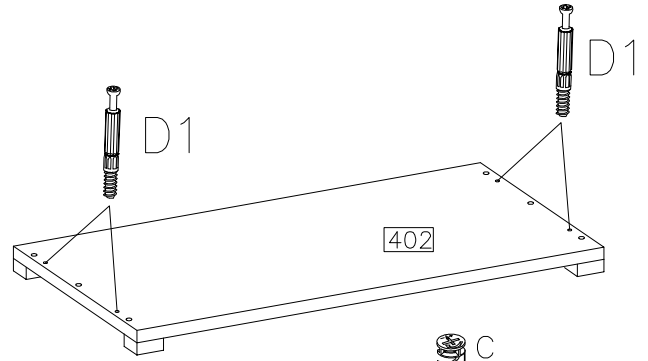
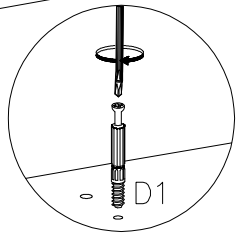
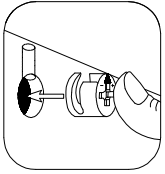
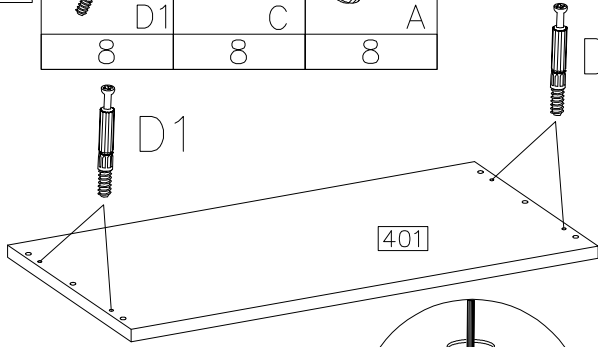
1

4.0x35mm		
	R3	F4
8		4



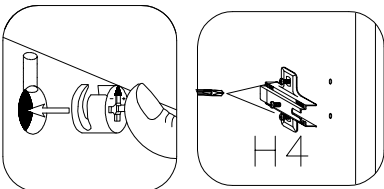
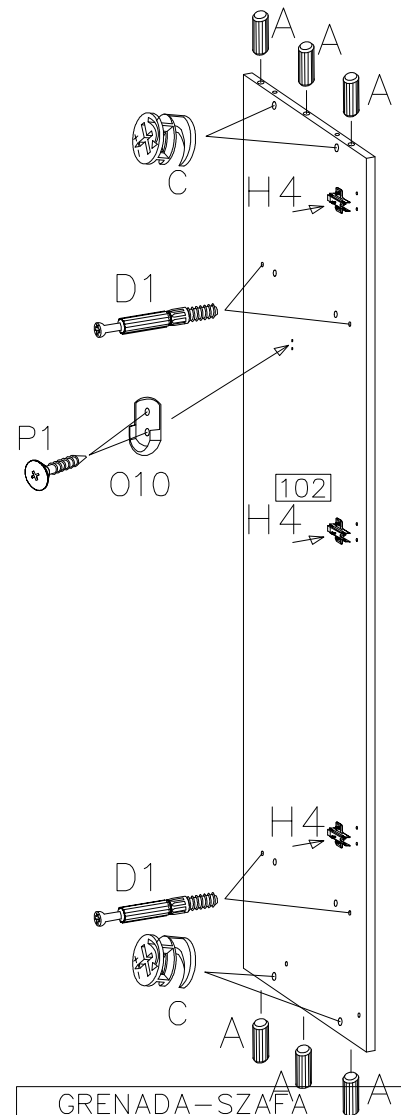
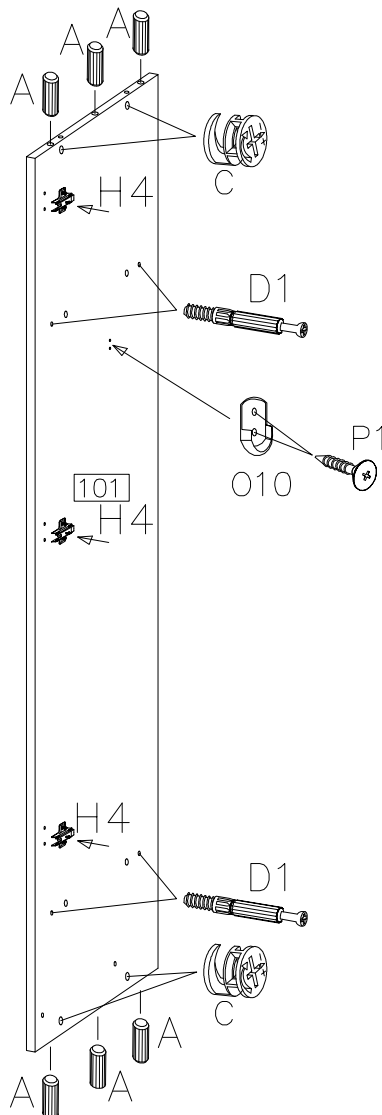
2

	ø15/12mm	ø8x30mm
D1		
8	8	8

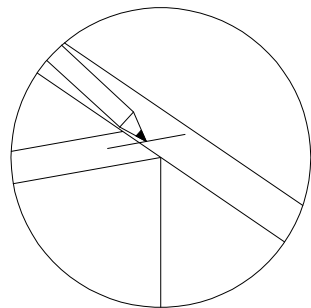
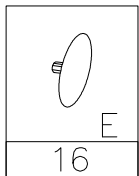


3

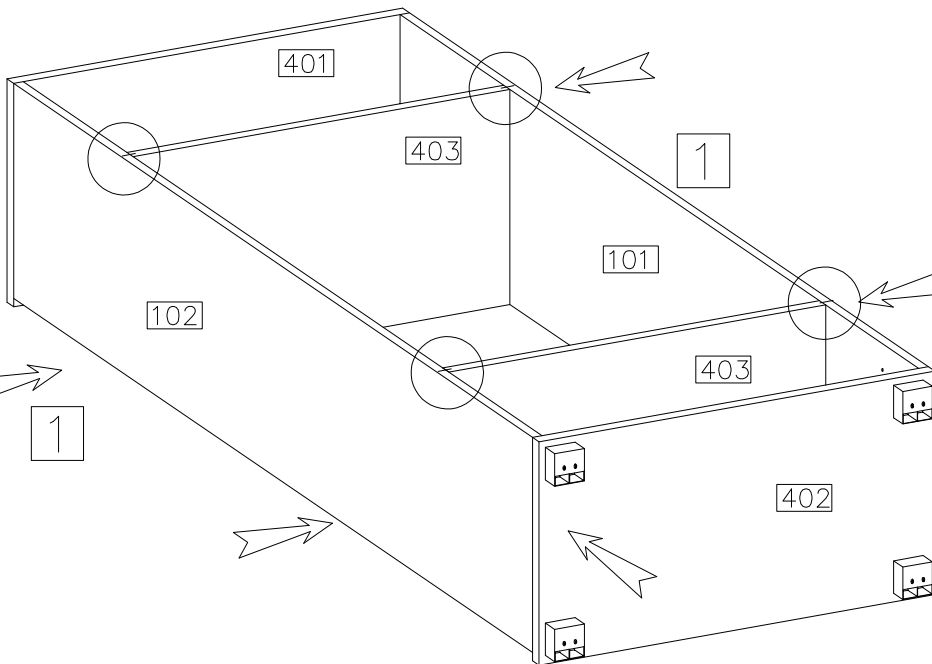
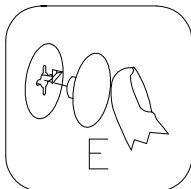
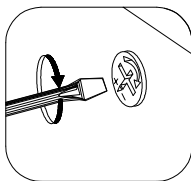
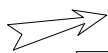
	ø8x30mm
D1	
8	12
	H=0
O10	
2	6
ø15/12mm	ø4.0x16mm
C	P1
8	4



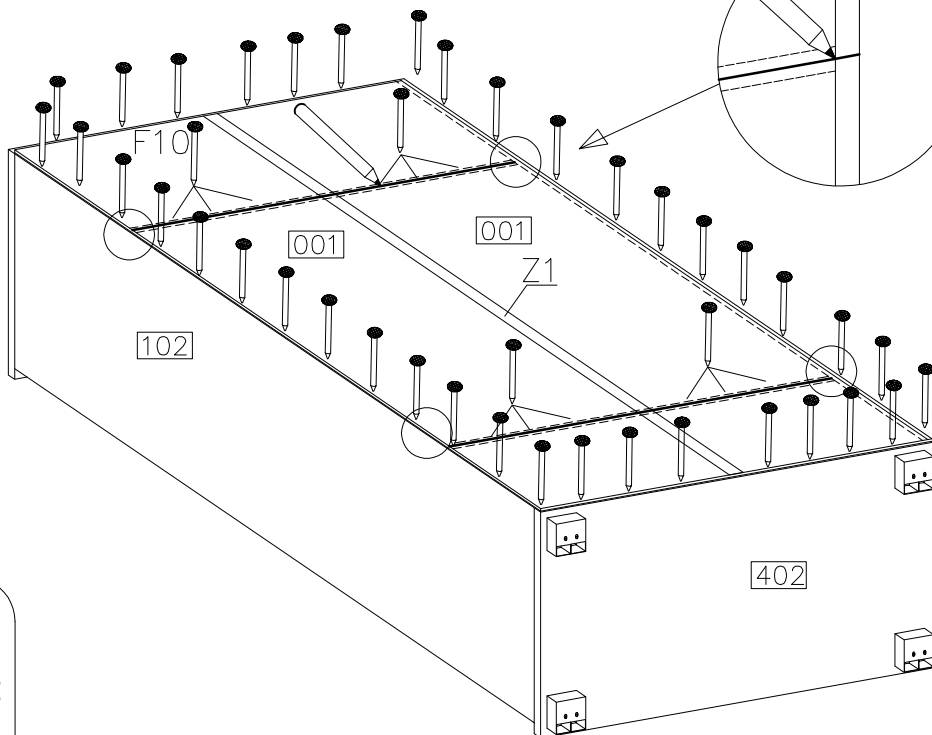
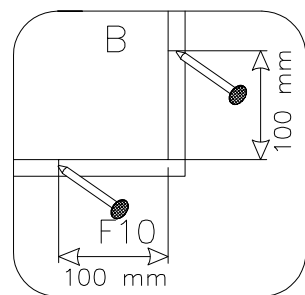
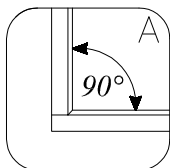
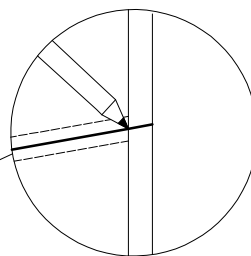
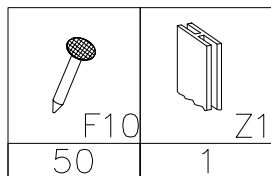
4




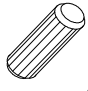
3

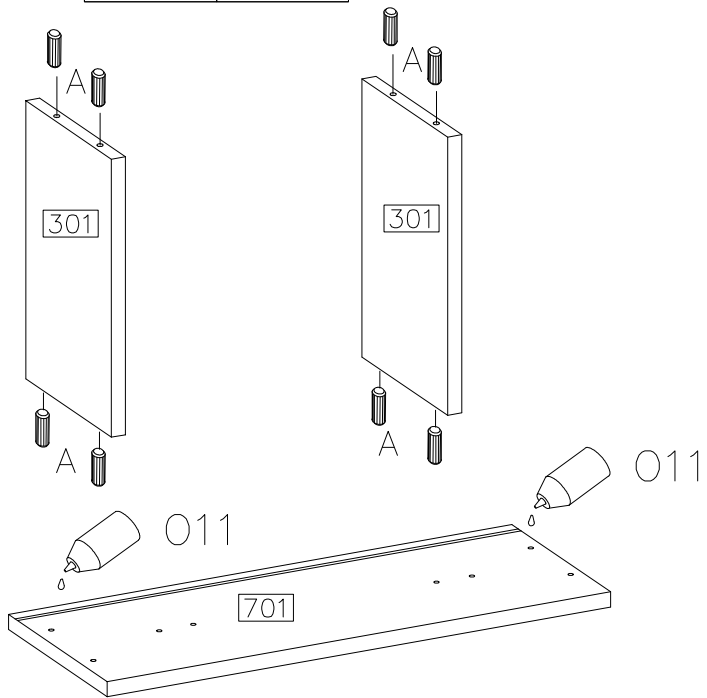


5





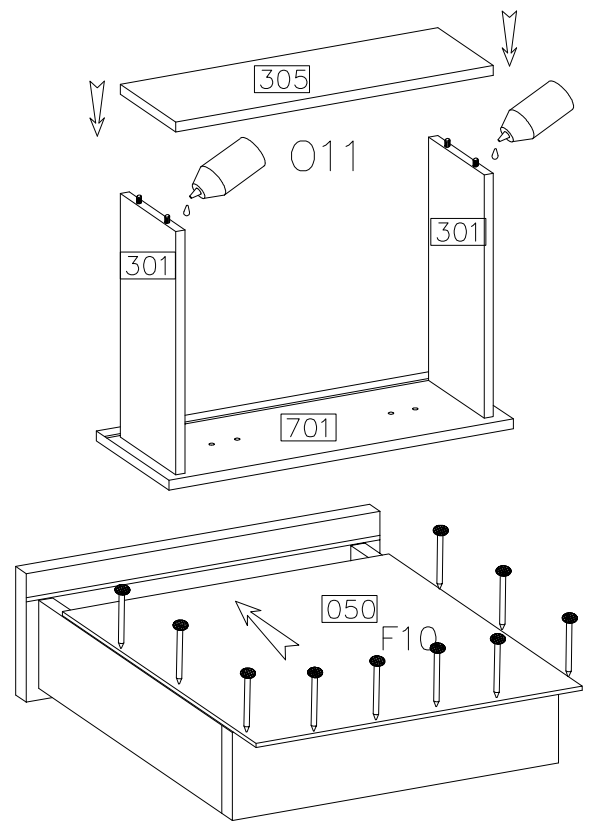
6

	$\varnothing 8 \times 30 \text{mm}$ 
O11	A
	8

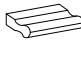



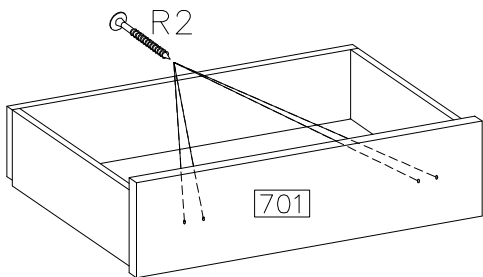
7

	F10
10	
	O11





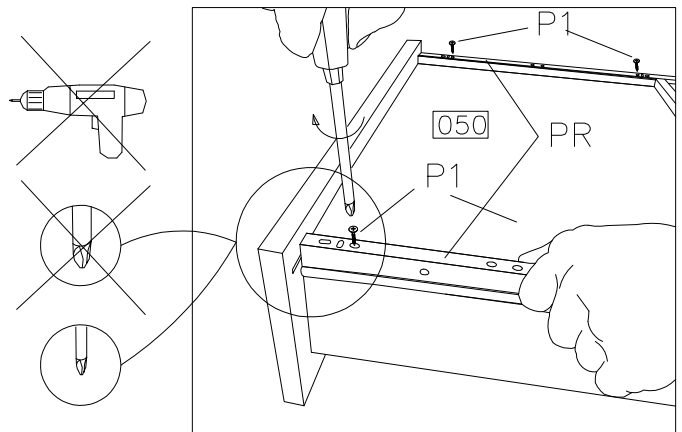
8

	$4.0 \times 27 \text{mm}$ 
S1	R2
2	4







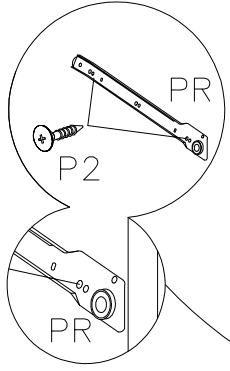
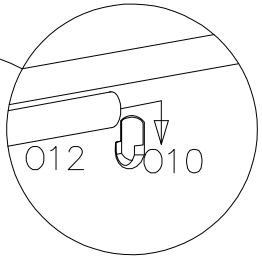
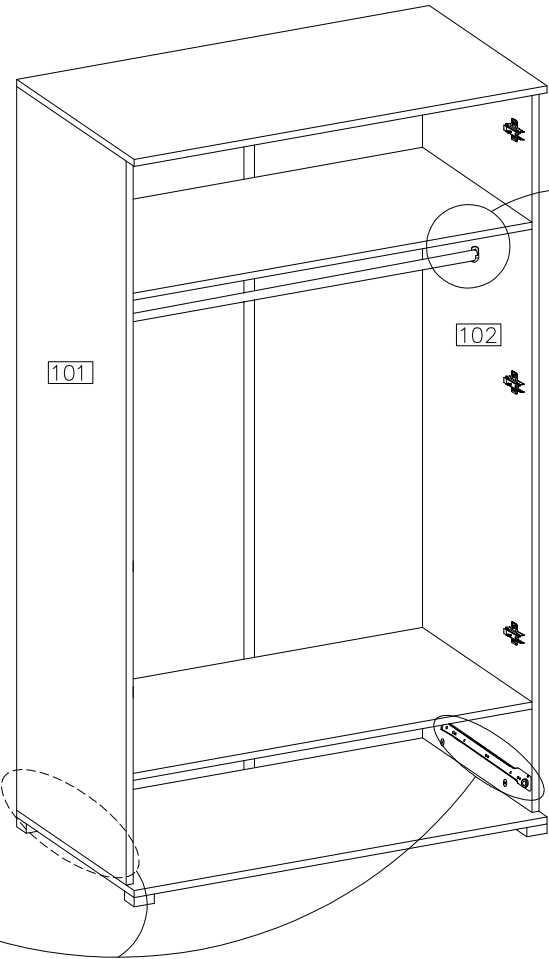
9

	$\varnothing 4.0 \times 16 \text{mm}$ 
PR	P1
1KPL	4


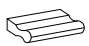
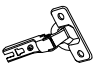



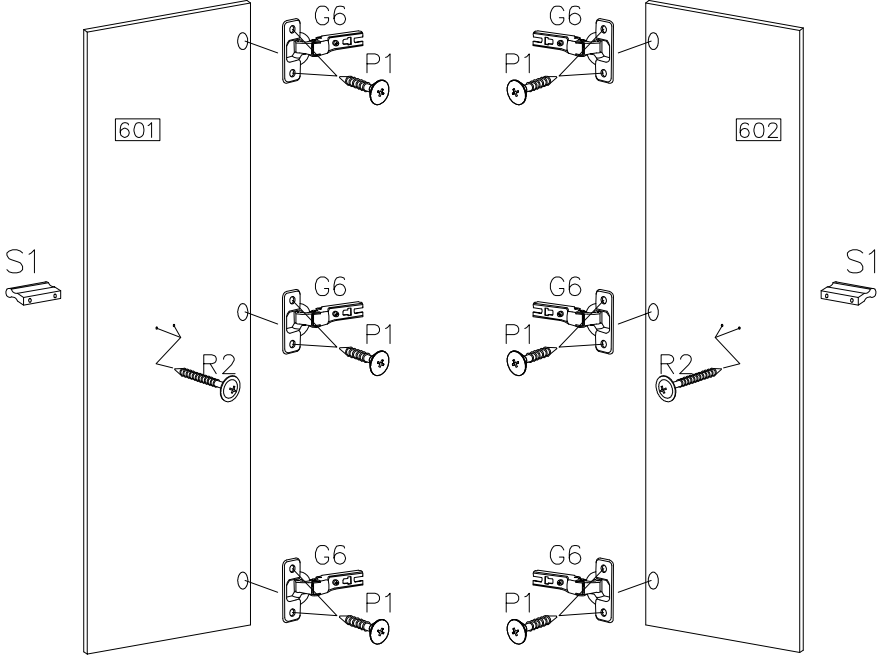
10

-  012
- 1
-  L-350
-  PR
- 1KPL
- 3.5x13mm
-  P2
- 4

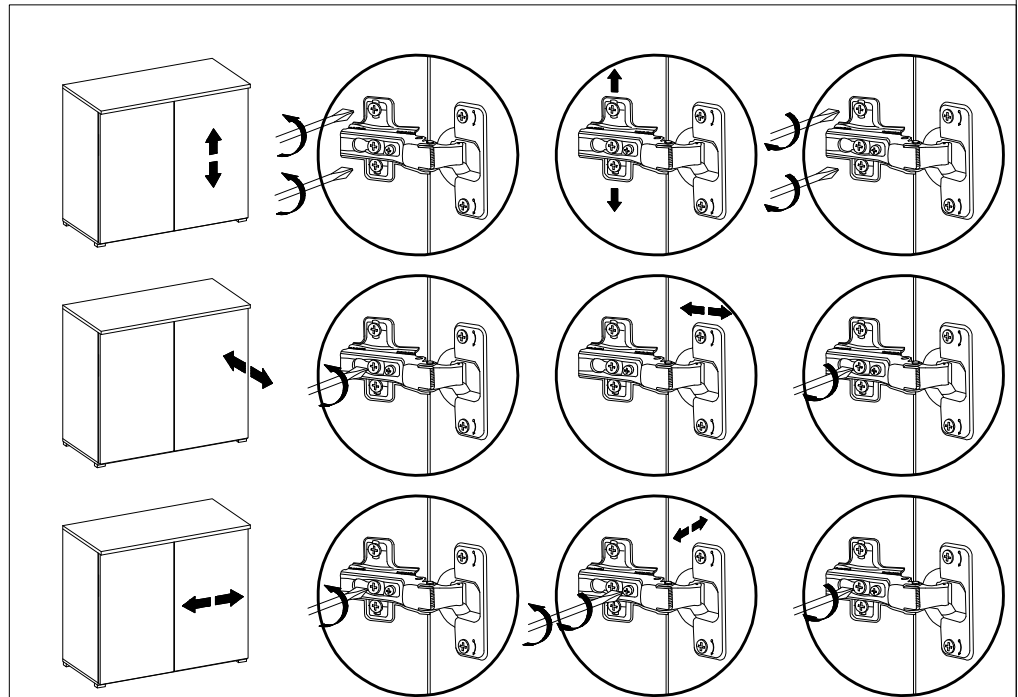
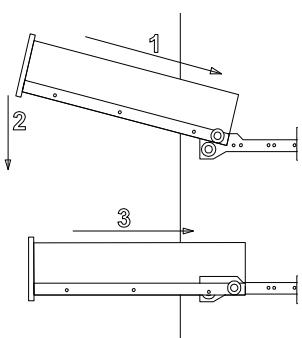
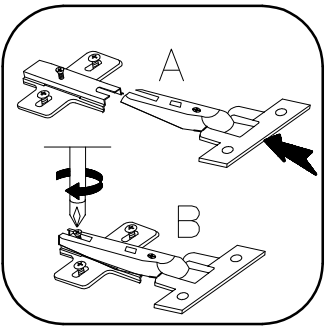
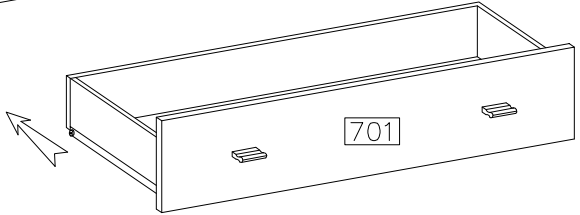
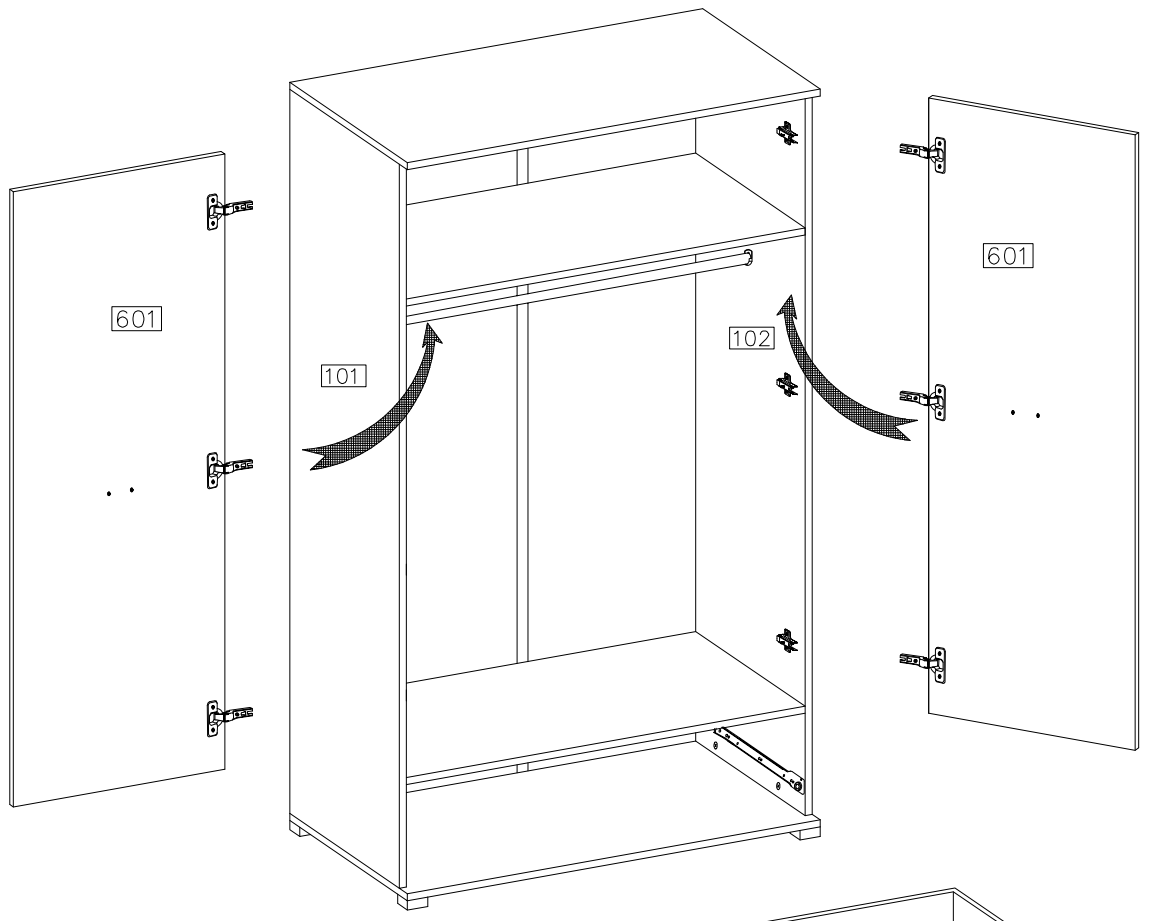


11

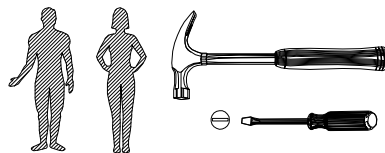
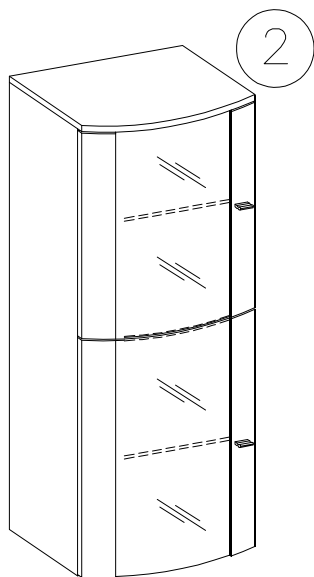
- 4.0x27mm
-  R2
- 4
-  S1
- 2
- ø35/KR-0
-  G6
- 6
- ø4.0x16mm
-  P1
- 12



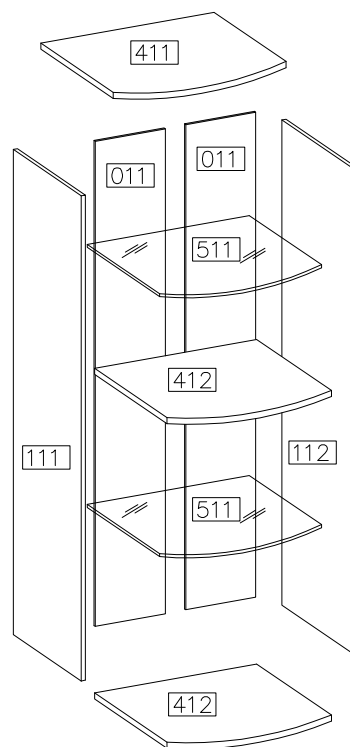
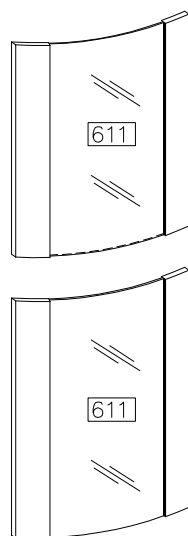
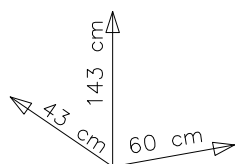
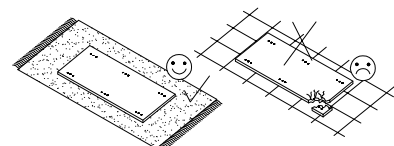
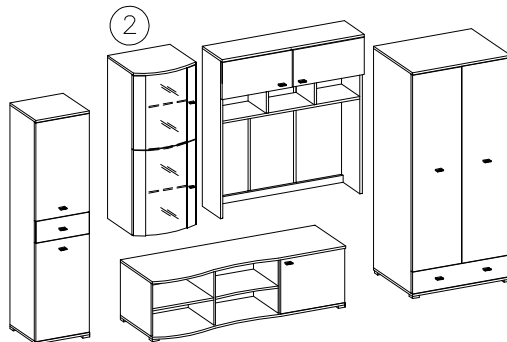




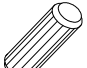





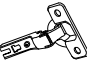
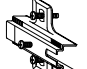

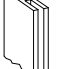
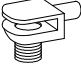


# GRENADA WITRYNA



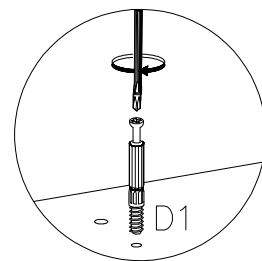
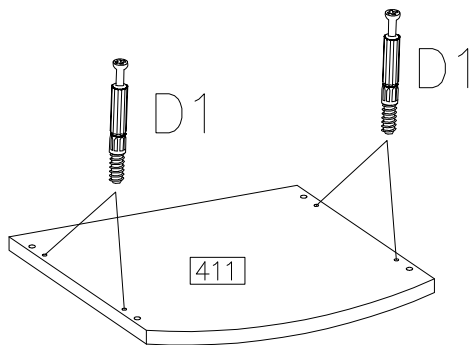
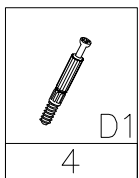
#	ART. NR	QUANTITY
1	411	1
2	412	2
3	511	2
4	111	1
5	112	1
6	011	2
7	611	2



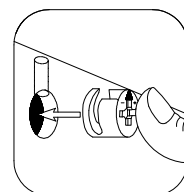
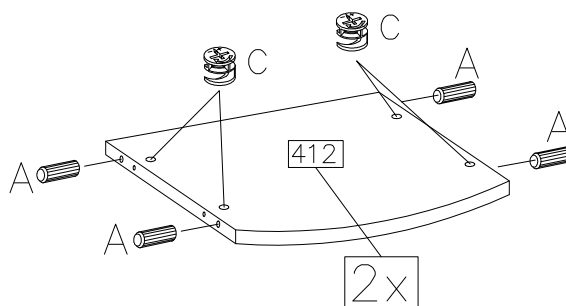
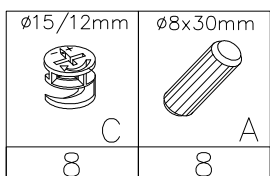
 D1	 C	 A	 E	 F10	 S1	 R2
12	12	16	12	40	2	4
 P1	 G6	 H4	 B2	 Z1	 J6	
12	4	4	2	1	8	



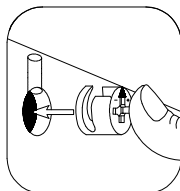
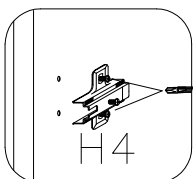
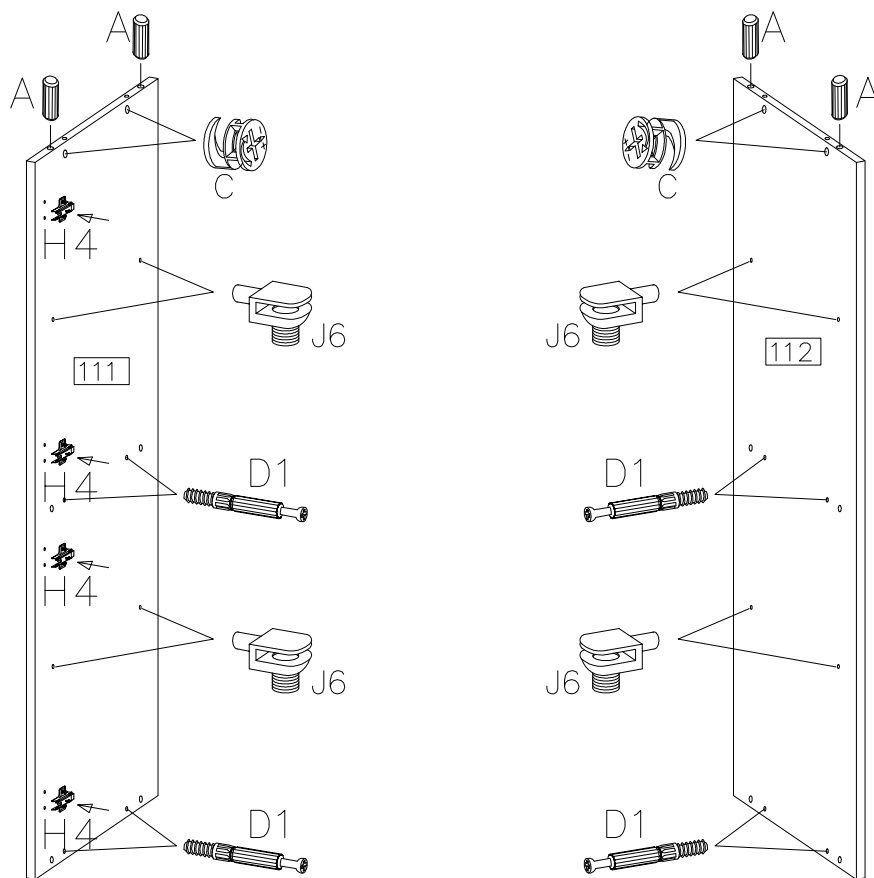
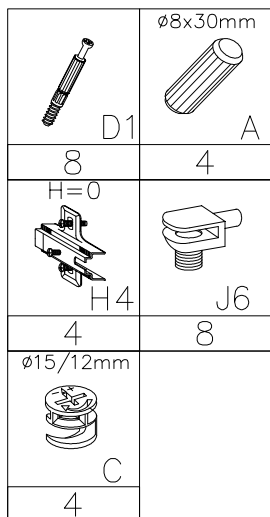
1



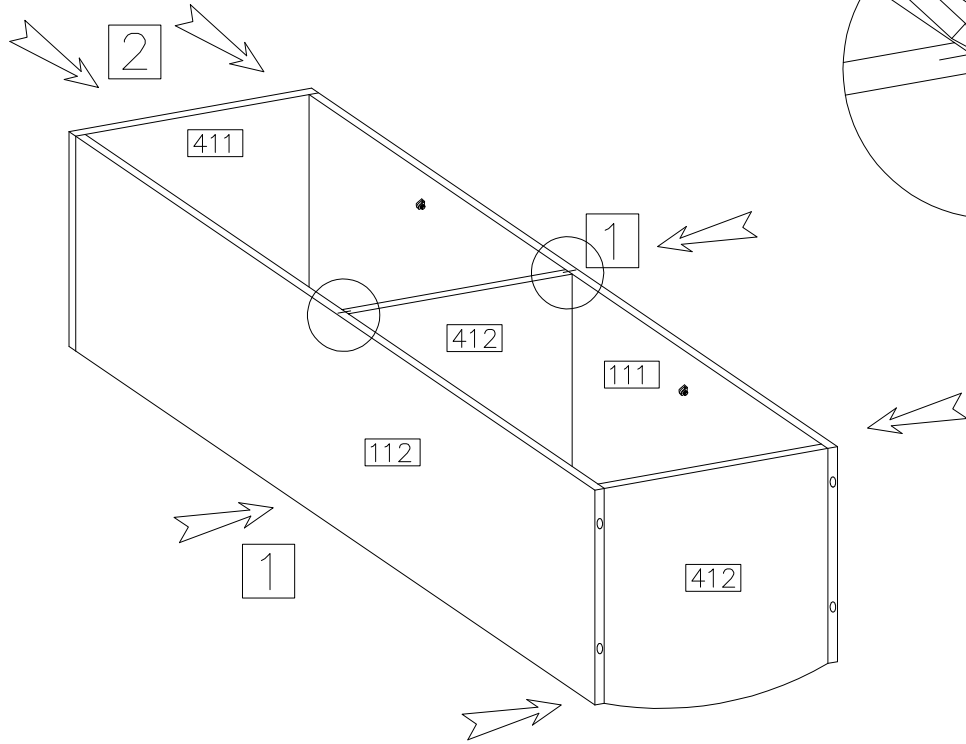
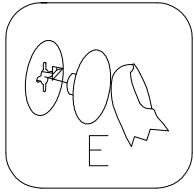
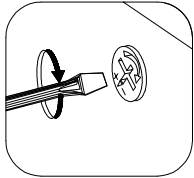
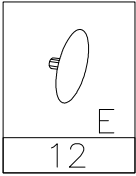
2



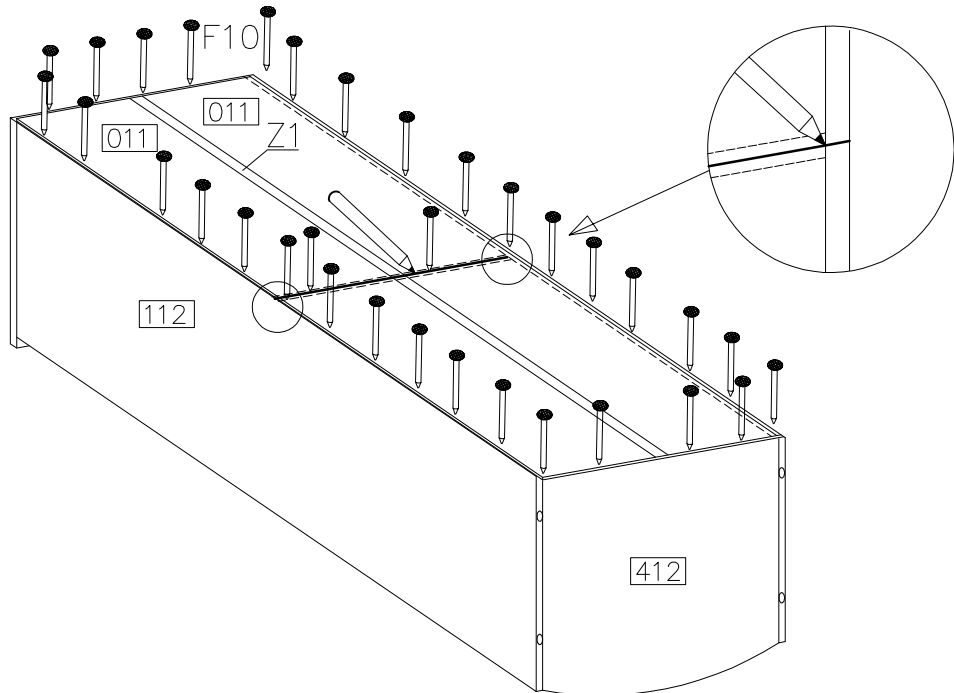
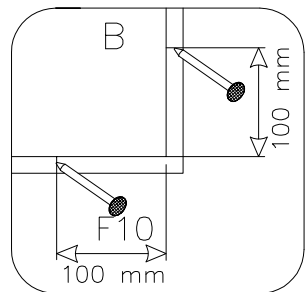
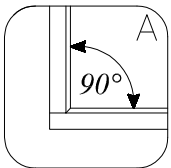
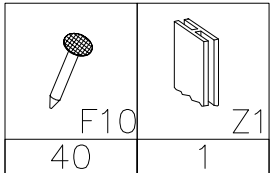
3



4

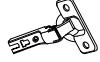


5



6

∅35/KR-0 ∅4.0x16mm



G6



P1

4

12

4.0x27mm



S1



R2



B2

∅8x30mm



A

4

