

ASSEMBLY INSTRUCTIONS

PARTS AND HARDWARE



Front Leg
2 X



Rear leg
2 X



Middle foot
1X



Steel nail
16 X

DIAGRAM 1

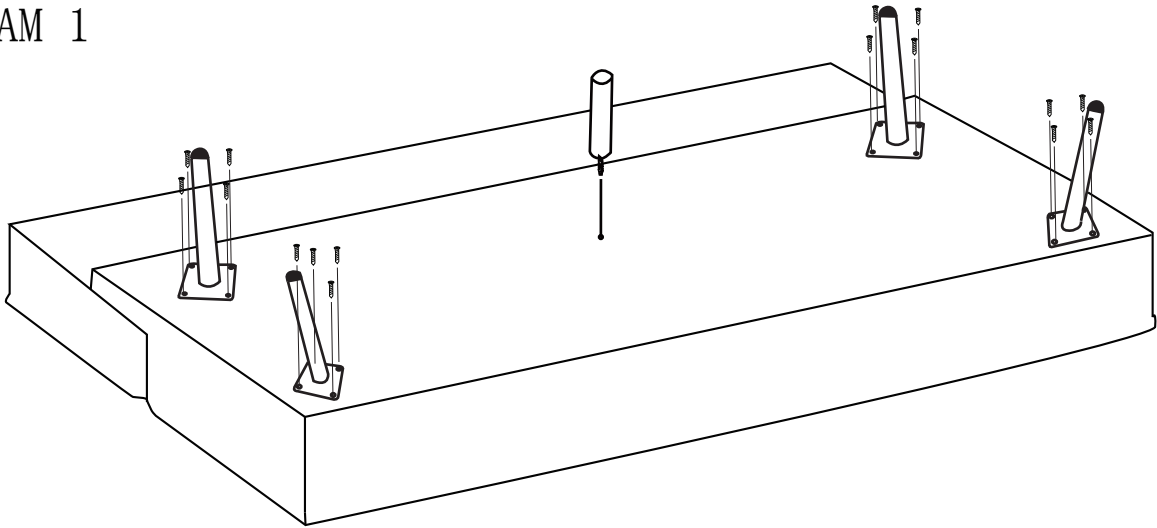


DIAGRAM 2

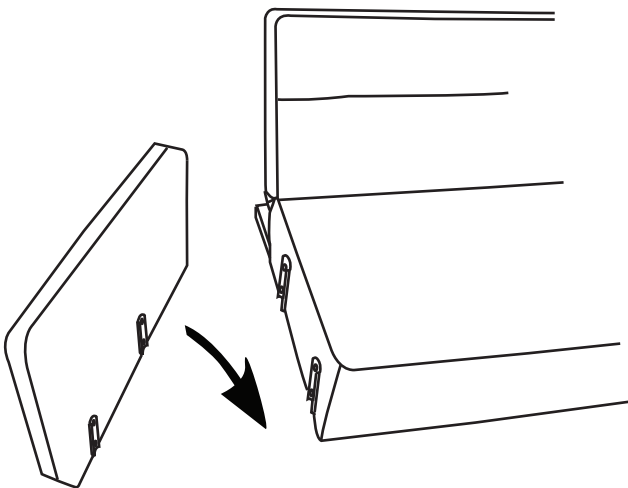
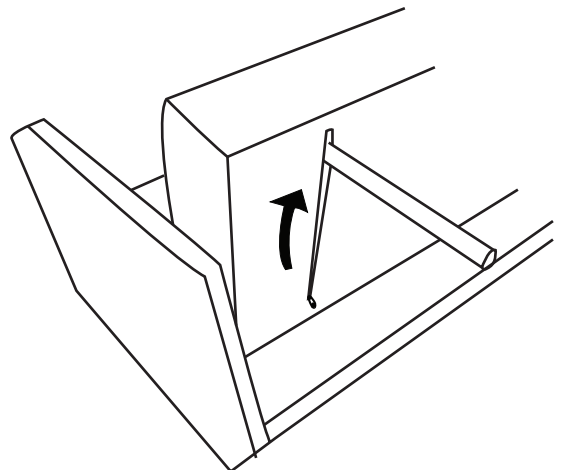


DIAGRAM 3



ASSEMBLY INSTRUCTIONS

DIAGRAM 4

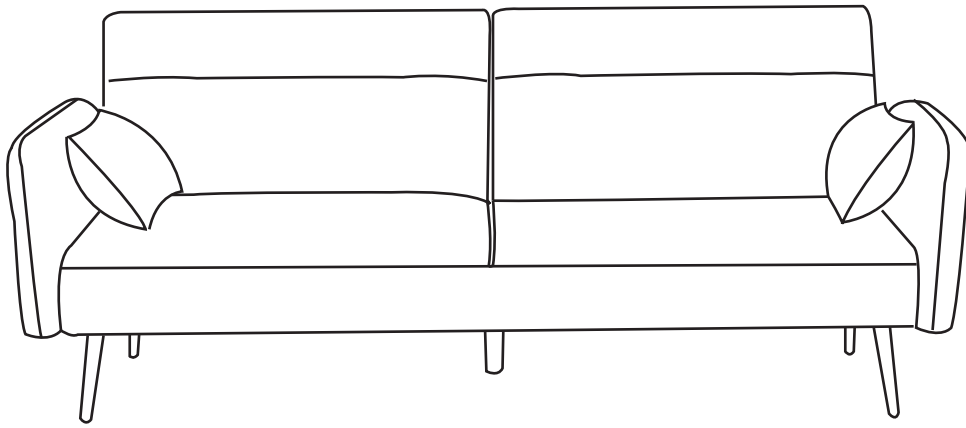


DIAGRAM 5

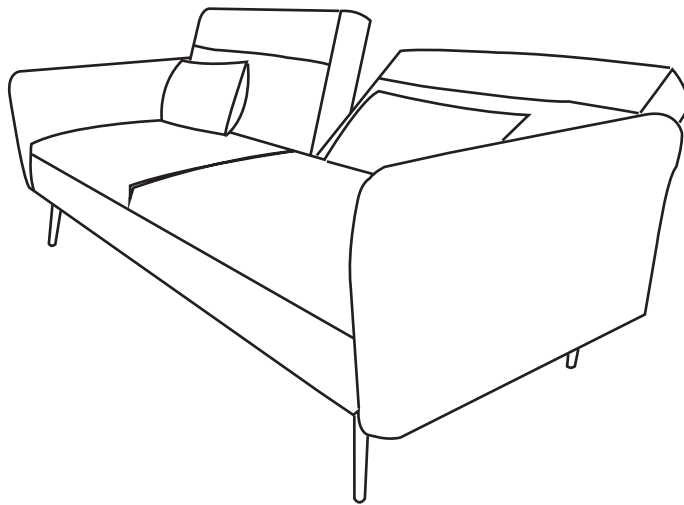


DIAGRAM 6

