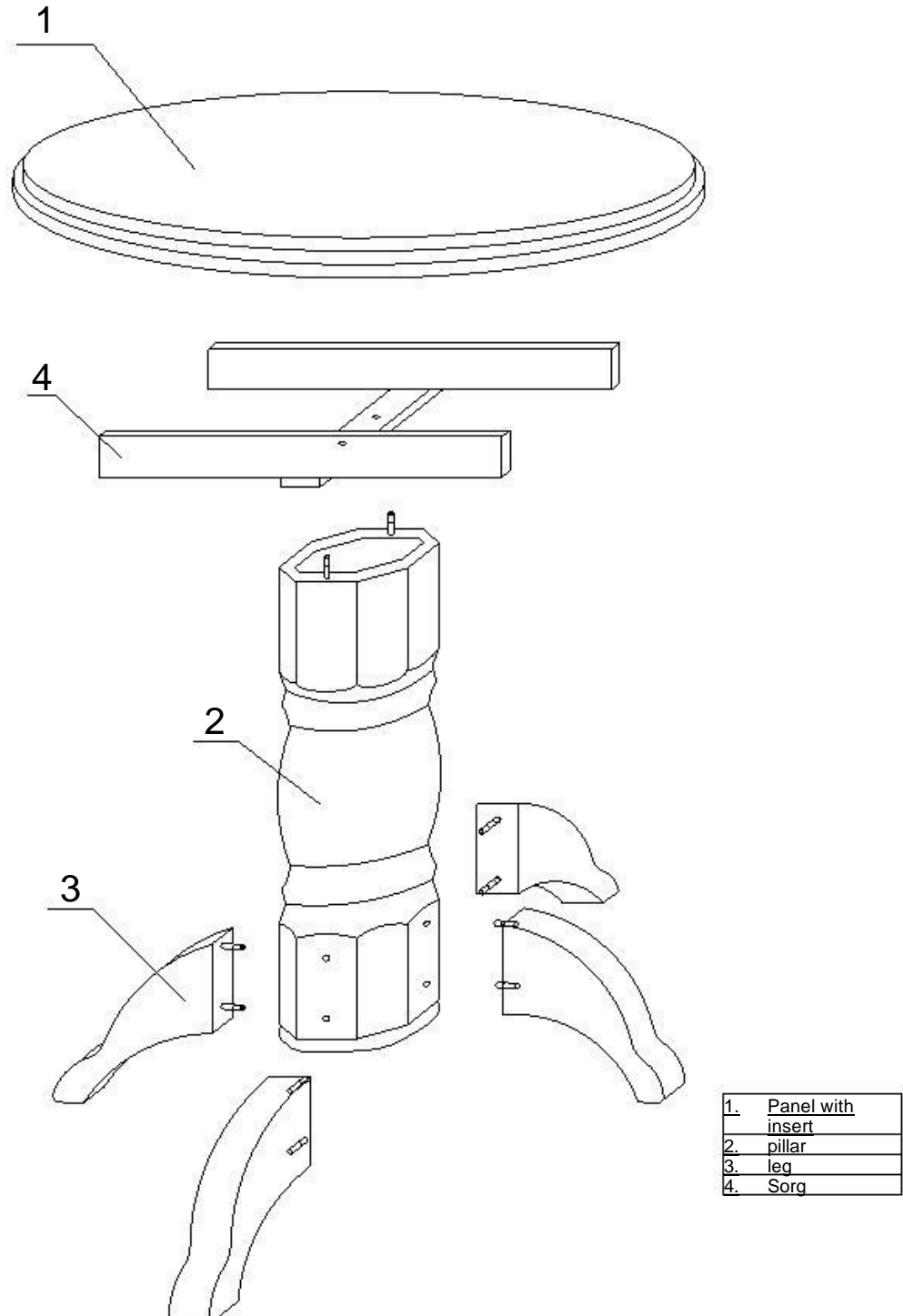


Montage instruction for table KAN fi 100+35



Two persons are needed for montage, the time required for montage is 20min. -Required tool is star screwdriver and wrench no13. - The legs are mounting first and then the panel of the table. - When mounting the insert, **first release the stoppers that are on the slider, open the halves of the table to the end and evenly put/move the insert.**